

Power Splitter/Combiner

ZFRSC-2075

2 Way-0° Resistive 75Ω DC to 2000 MHz

Maximum Ratings

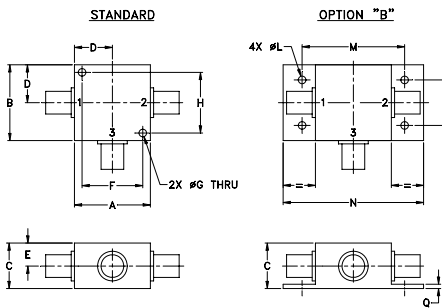
Operating Temperature	-55°C to 100°C
Storage Temperature	-55°C to 100°C
Power Input (as a splitter)	0.75W max.
Internal Dissipation	0.375W max.

Permanent damage may occur if any of these limits are exceeded.

Coaxial Connections

SUM PORT	3
PORT 1	1
PORT 2	2

Outline Drawing



Outline Dimensions (inch mm)

A	B	C	D	E	F	G	H	J	K	L	M	N	P	Q	wt
1.25	1.25	.75	.63	.38	1.00	.125	1.000	--	--	.125	1.688	2.18	.75	.07	grams
31.75	31.75	19.05	16.00	9.65	25.40	3.18	25.40	--	--	3.18	42.88	55.37	19.05	1.78	70.0

Features

- wideband, DC to 2000 MHz
- low insertion loss, 0.3 dB typ.
- excellent amplitude unbalance, 0.02 dB typ.
- rugged shielded case

Applications

- laboratory
- test set-ups



CASE STYLE: K18

Connectors	Model	Price	Qty.
BNC	ZFRSC-2075	\$59.95	(1-9)
BRACKET (OPTION "B")		\$2.50	(1+)

Electrical Specifications

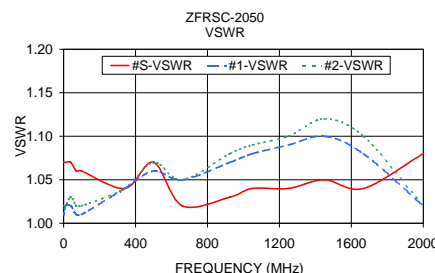
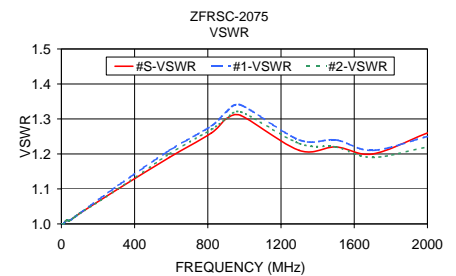
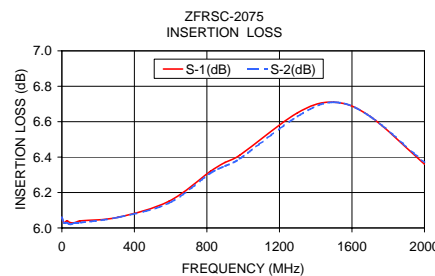
FREQ. RANGE (MHz)	ISOLATION (dB)			INSERTION LOSS (dB) ABOVE 6.0 dB						PHASE UNBALANCE (Degrees)			AMPLITUDE UNBALANCE (dB)		
	L	M	U	L		M		U		L	M	U	L	M	U
				Typ.	Max.	Typ.	Max.	Typ.	Max.						
f_L - f_U	Typ.	Typ.	Typ.	Typ.	Max.	Typ.	Max.	Typ.	Max.	Max.	Max.	Max.	Max.	Max.	Max.
DC-2000	6.2	6.6	7.0	0.1	0.2	0.3	0.6	0.5	1.4	1	2	5	0.1	0.2	0.5

L = low range [DC-100 MHz] M = mid range [100 MHz to $f_U/2$] U = upper range [$f_U/2$ to f_U]

This is a resistive power divider to enable frequency coverage from dc to the highest rated frequency. Since resistive power divider do not provide a high degree of isolation (basically isolation equals the insertion loss between ports), an amplifier such as Mini-Circuits' ZFL series is recommended when high isolation is required. Matched power rating 0.75W, internal load dissipation 0.375W.

Typical Performance Data

Frequency (MHz)	Insertion Loss (dB)		Amplitude Unbalance (dB)	Isolation (dB)	Phase Unbalance (deg.)	VSWR S	VSWR 1	VSWR 2
	S-1	S-2						
0.03	6.06	6.06	0.00	6.06	0.01	1.00	1.00	1.00
10.00	6.03	6.03	0.00	6.03	0.01	1.00	1.00	1.00
28.00	6.04	6.03	0.01	6.03	0.05	1.01	1.01	1.01
46.00	6.03	6.02	0.01	6.03	0.03	1.01	1.01	1.01
73.00	6.03	6.03	0.00	6.03	0.03	1.02	1.02	1.02
100.00	6.04	6.03	0.01	6.03	0.02	1.03	1.03	1.03
310.00	6.06	6.06	0.00	6.06	0.11	1.10	1.11	1.10
590.00	6.15	6.14	0.01	6.15	0.14	1.19	1.21	1.20
820.00	6.32	6.31	0.01	6.30	0.36	1.26	1.28	1.27
900.00	6.37	6.35	0.03	6.34	0.39	1.30	1.32	1.30
980.00	6.41	6.39	0.01	6.37	0.46	1.31	1.34	1.32
1300.00	6.65	6.63	0.01	6.62	0.53	1.21	1.24	1.23
1500.00	6.71	6.71	0.01	6.73	0.70	1.22	1.24	1.22
1700.00	6.63	6.63	0.00	6.70	0.71	1.20	1.21	1.19
2000.00	6.36	6.37	0.01	6.48	0.65	1.26	1.25	1.22



electrical schematic



P.O. Box 350166, Brooklyn, New York 11235-0003 (718) 934-4500 Fax (718) 332-4661 For detailed performance specs & shopping online see Mini-Circuits web site



The Design Engineers Search Engine Provides ACTUAL Data Instantly From MINI-CIRCUITS At: www.minicircuits.com

REV. OR
M94666
ZFRSC-2075
HY/TD/CP
080310