

# Customer Information Sheet

DRAWING No.: Z22-020

SHEET 2 OF 2

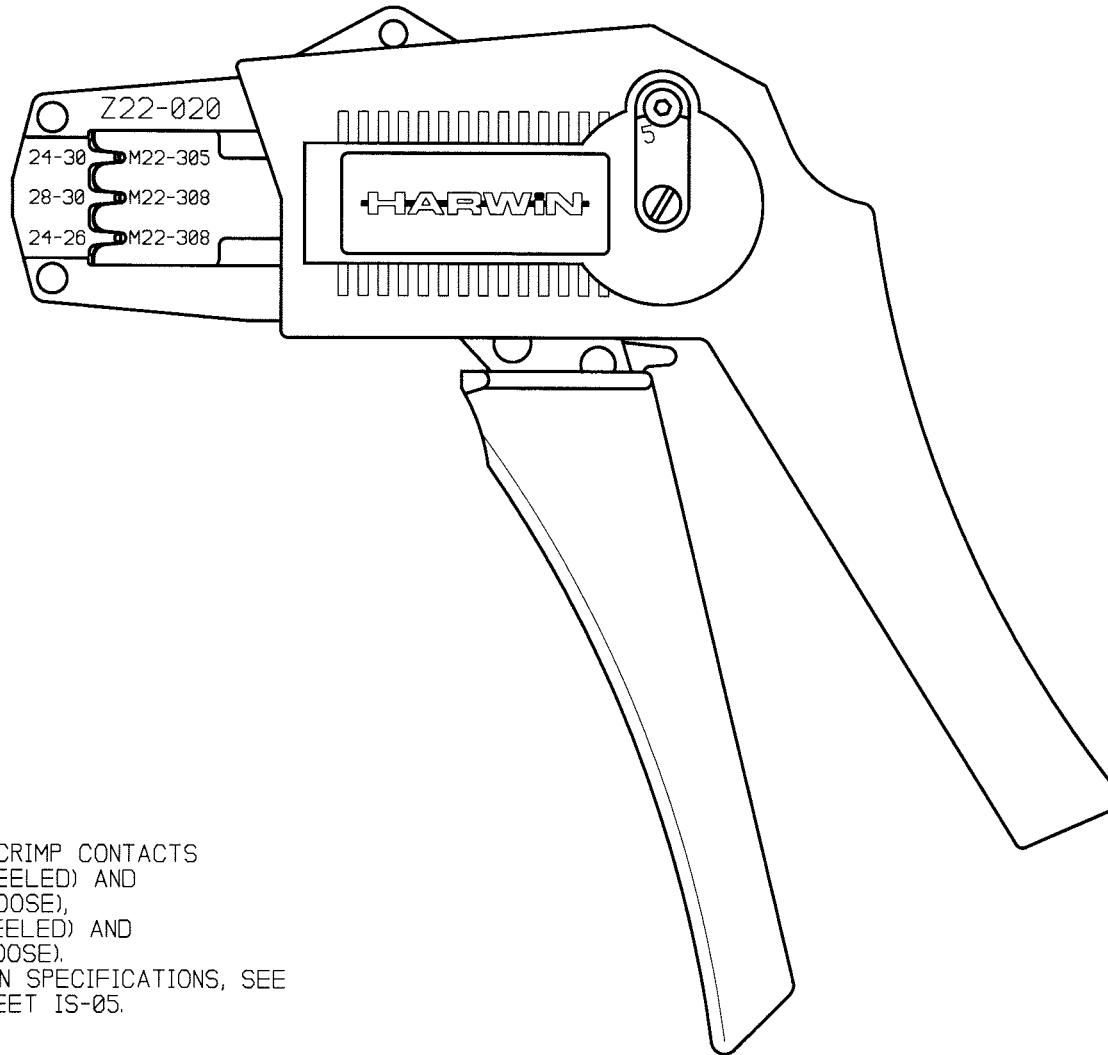
IF IN DOUBT - ASK

©

NOT TO SCALE

THIRD ANGLE PROJECTION

ALL DIMENSIONS IN mm



**NOTES:**

- FOR USE WITH CRIMP CONTACTS  
M22-30400XX (REELED) AND  
M22-30500XX (LOOSE),  
M22-3060006 (REELED) AND  
M22-3080006 (LOOSE).
- FOR INSTRUCTION SPECIFICATIONS, SEE  
INSTRUCTION SHEET IS-05.

4	24.03.00	5182
ISS.	DATE	C/NOTE
APPROVED: <i>WFB</i>		
CHECKED: <i>[Signature]</i>		
DRAWN: J. KEIR		
CUSTOMER REF.:		
ASSEMBLY DRG:		

## HARWIN

THIS DRAWING AND ANY INFORMATION OR DESCRIPTIVE MATTER SET OUT HEREON ARE CONFIDENTIAL AND COPYRIGHT PROPERTY OF THE HARWIN GROUP AND MUST NOT BE DISCLOSED, LOANED, COPIED, OR USED FOR MANUFACTURING, TENDERING OR FOR ANY OTHER PURPOSE WITHOUT THEIR WRITTEN PERMISSION.

**TOLERANCES**  
 X. - ±1mm  
 XX - ±0.25mm  
 XXX - ±0.10mm  
 XXXX - ±0.01mm  
 ANGLES - ±1°  
 UNLESS STATED

**MATERIAL:**  
**FINISH:**  
**S/AREA:** mm<sup>2</sup>

**TITLE:**  
 2mm HAND CRIMP TOOL

**DRAWING NUMBER:**  
 Z22-020

SHT  
 2  
 OF  
 2

HARWIN INC  
 U.S.A.

HARWIN PLC  
 U.K.

HARWIN PTE  
 SINGAPORE

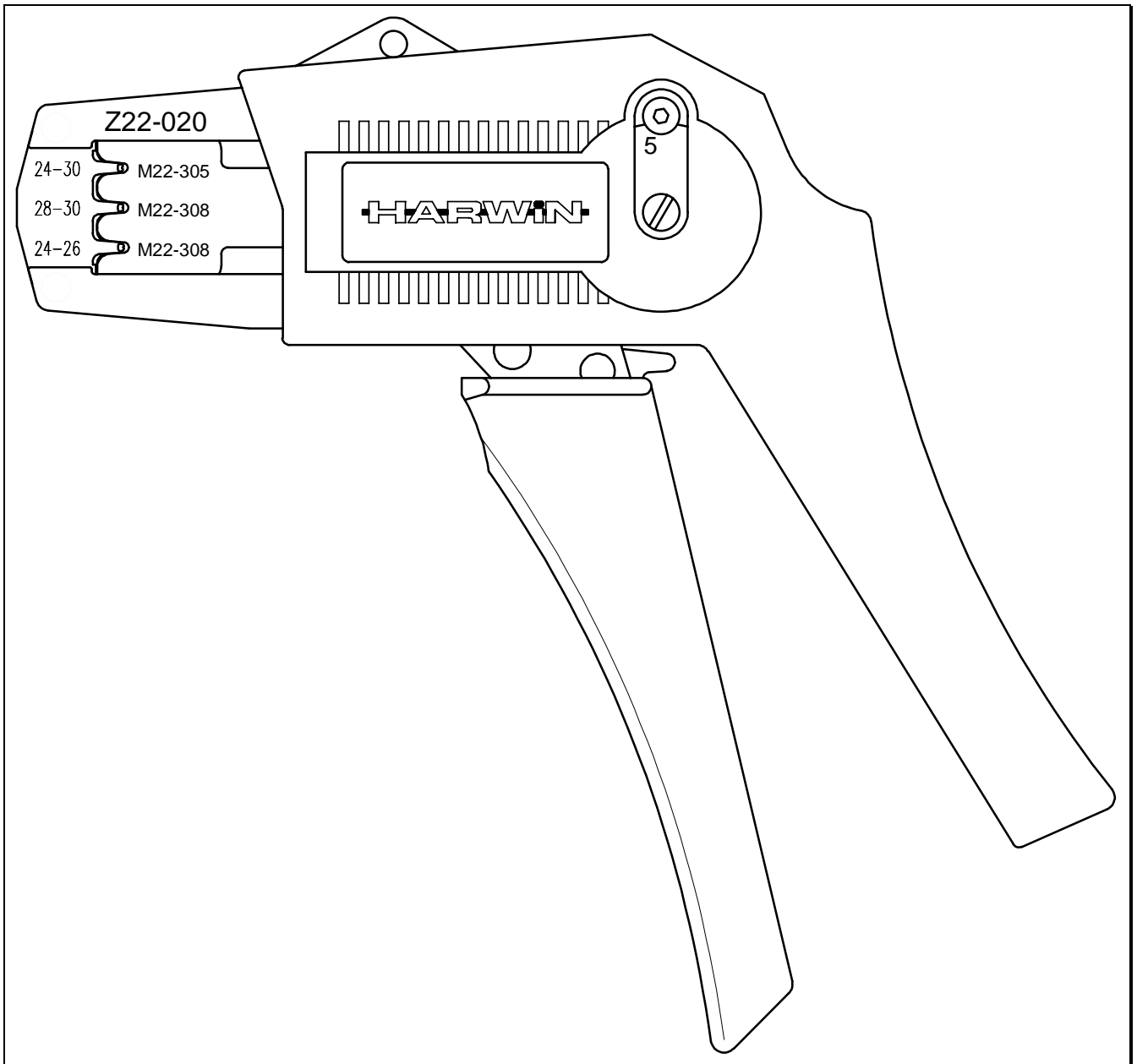
TEL: (812) 285 0055  
 FAX: (812) 285 0056

TEL: 023 9231 4545  
 FAX: 023 9231 4590

TEL: 65 7794909  
 FAX: 65 7793868

# HARWIN

## HAND CRIMP TOOL Z22-020



This Hand Crimp Tool has been designed for use with the following crimp contacts:

- M22-30400XX ..... 2mm Pitch Crimp Contacts, Reeled, Gold or Tin
- M22-30500XX ..... 2mm Pitch Crimp Contacts, Loose, Gold or Tin
- M22-3060006 ..... 2mm Pitch Crimp Contacts, Reeled, Tin
- M22-3080006 ..... 2mm Pitch Crimp Contacts, Loose, Tin

---

**HARWIN Inc**  
**U.S.A.**  
**Tel:** 812 285 0055  
**Fax:** 812 285 0056  
**E-Mail:** [mis@harwin.com](mailto:mis@harwin.com)

**HARWIN plc**  
**U.K.**  
023 9231 4545  
023 9231 4590  
[mis@harwin.co.uk](mailto:mis@harwin.co.uk)

**HARWIN pte**  
**Singapore**  
65 779 1304  
65 779 3868  
[mis@harwin.com.sg](mailto:mis@harwin.com.sg)

## TOOL DESCRIPTION

The Z22-020 Hand Crimp Tool consists of a ratchet mechanism hand tool and a set of jaws. The jaws comprise of upper and lower crimp dies.

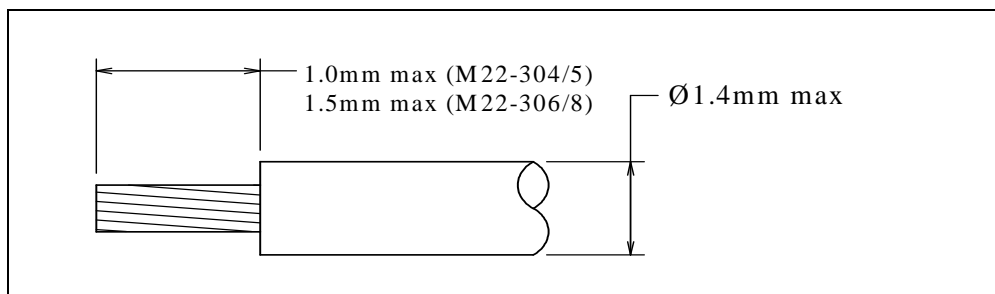
The contact is correctly crimped when the tool is free to open at the fully closed position, i.e. when the ratchet releases.

## CRIMPING PROCEDURE

1. Ensure that the wire to be crimped is within the specified range of sizes for the contact and the crimp tool. Failure to use the specified wire size will result in poor quality crimps and possible tool damage.

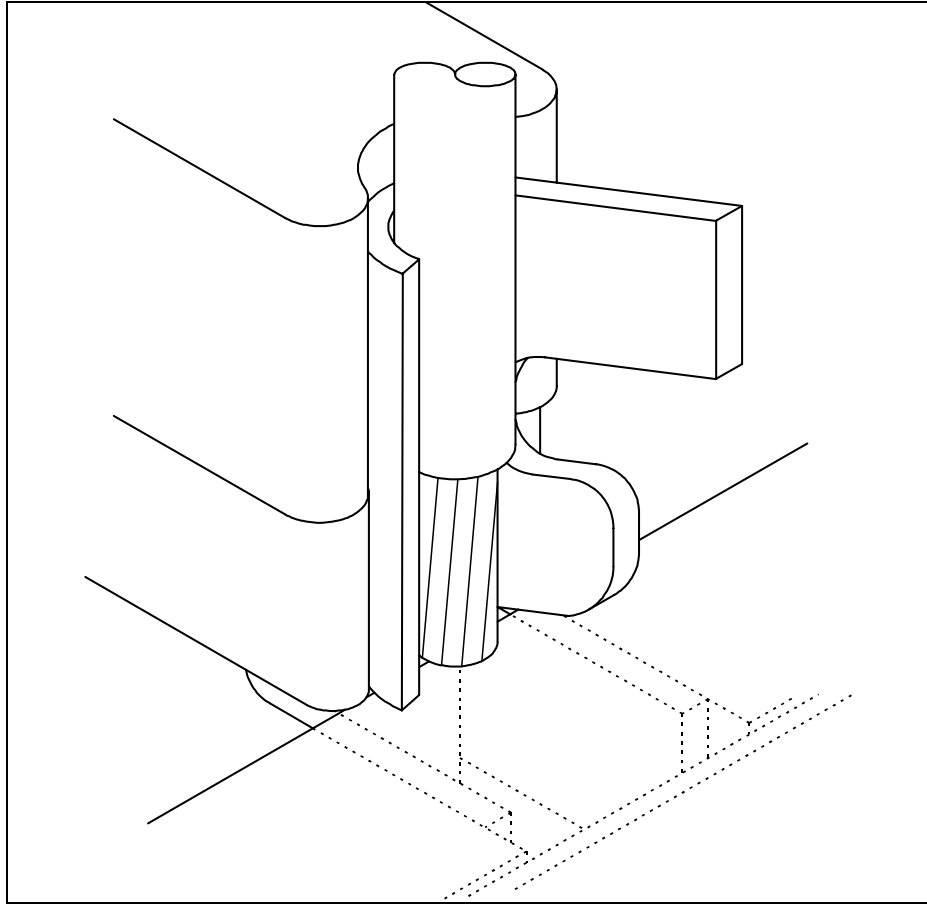
Wire Gauge	Minimum pull-off force (Newtons)
30 AWG	6N
28 AWG	11N
26 AWG	18N
24 AWG	29N

2. Strip the wire insulation to the dimensions shown below. Care should be taken to avoid cutting or displacing the conductors. If the conductors are displaced, they may be re-aligned with a gentle twist.



3. Make certain that the hand crimp tool is in the fully open position, and that the jaws are free from dirt and debris.
4. If the socket is on a reel, break or cut off a contact from the strip of bandolier.
5. Place the contact into the correct crimp cavity in the fixed jaw. The markings on the jaw indicate the correct crimp cavity according to the wire size being used. The orientation of the contact is with the crimp end uppermost, with the open side of the crimp facing towards the moving jaw.

- Partially close the crimp tool until the wire stop comes across the face of the fixed jaw.
- Take the pre-stripped wire and insert it into the contact so the conductors and insulation are positioned in the crimp. The conductors should be touching the wire stop.



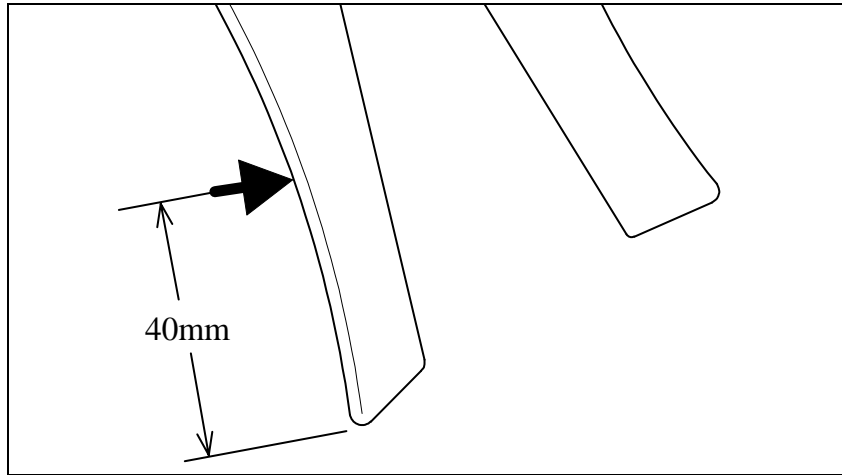
- Keeping the cable steady in the crimp, fully close the hand crimp tool until the ratchet releases. Let the crimp tool open.
- After crimping remove the assembly. The process is then repeated for each crimp required.

## **TOOL MAINTENANCE**

- Keep the tool clean and free from dirt and foreign matter. Ensure that all retaining pins and clips are in place before use, and that signs of wear are not visible. If the pivots are worn, the tool must be replaced, or crimp integrity will be compromised.
- Oil at all pivots and bearings using a light cycle oil.
- At regular intervals, check the crimp tool jaws for wear or damage, and inspect sample crimps for form and function. Minimum pull-off forces (as shown in the previous table) should be achieved when sample is tested. If forces are not achieved, calibrate the tool (see over).

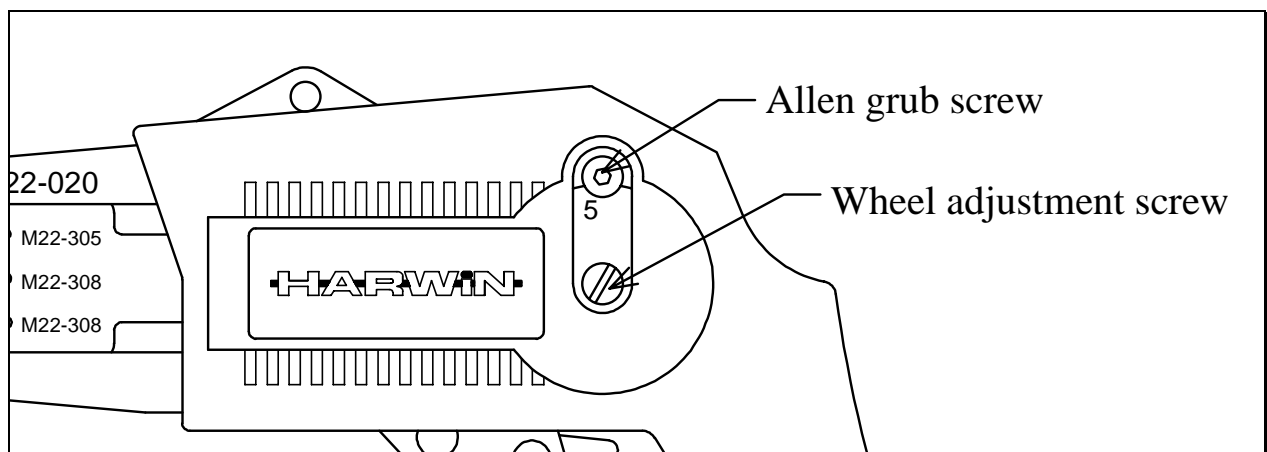
## TOOL CALIBRATION

The operating force at the point shown should be 150N (15kg, 33lbs) min.



If adjustment of the tool becomes necessary due to pull-off forces not being maintained, the following instructions should be followed.

1. Remove allen grub screw using a 2mm A/F allen key.
2. Using a screwdriver, turn the numbered wheel via the wheel adjustment screw. To increase the pre-load (and therefore the crimp pull-off force), turn the screw until the next number is shown. Even numbers are found by turning the screw clockwise, odd numbers are anti-clockwise. Turn the screw until the required number is level with the allen grub screw hole.



3. Re-fit the allen grub screw and tighten.
4. Check the operating force as shown at the top of the page. Repeat the procedure if the force is incorrect.

**If the adjuster is set to maximum, and operating force is still not achieved, the tool has finished its working life (50,000 crimps minimum), and will need replacing.**