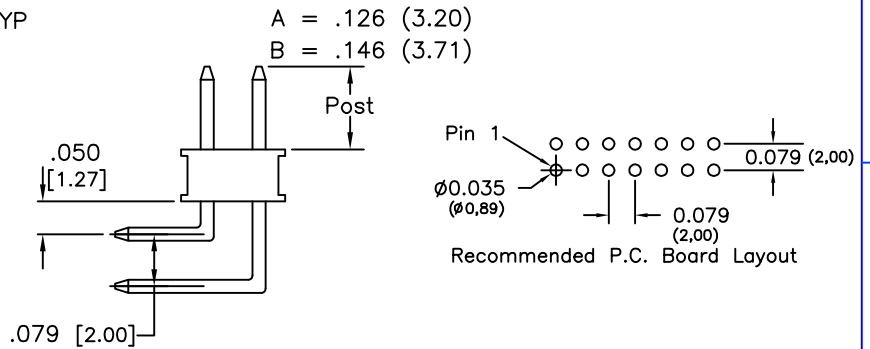
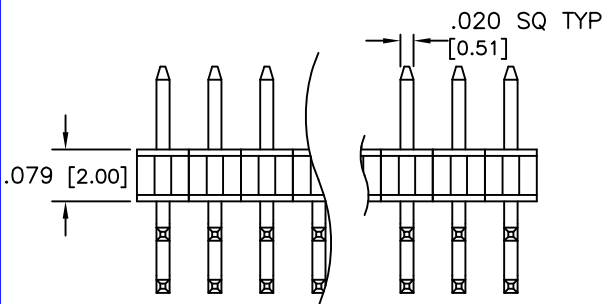
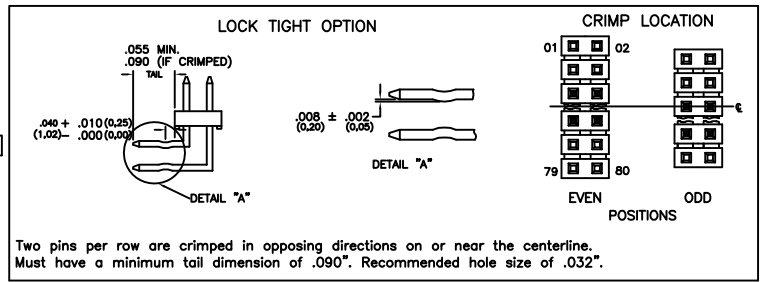
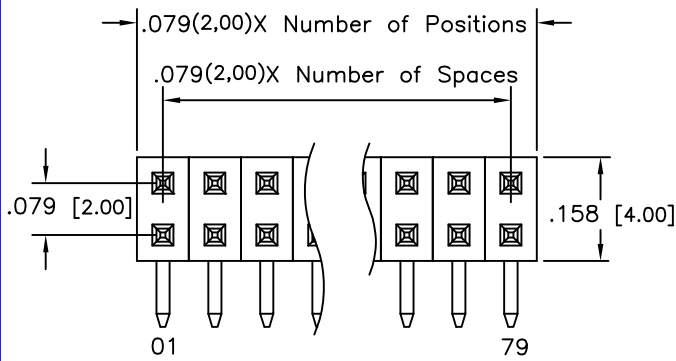


# Major League Electronics .079 cl Thicker Terminal Strip Headers - Right Angle



Tails may be clipped to achieve desired pin length

## Ordering Information

TTSHR-2 [X] - [D] - [X] - [X] - [X] - [X] - [X] - LF

Pins Per Row  
01 - 40

Row Specification  
D = Dual Row

Lead Free

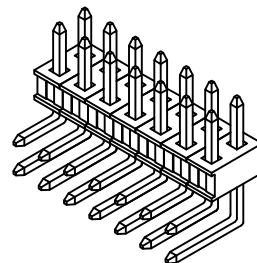
Polarized Position  
Leave blank if not needed  
If required, specify empty pin position, e.g. 012 for Pin 12

Lock Tight "LT" Option  
Leave blank if not needed  
LT = With

Pin Options				
Tail W/ .126 Post		Tail W/ .146 Post		
.100	2.54mm	.080	2.03mm	01
.120	3.05mm	.100	2.54mm	02
.140	3.56mm	.120	3.05mm	04
.179	4.55mm	.159	4.04mm	05
.278	7.06mm	.258	6.55mm	06
.298	7.57mm	.278	7.06mm	08
.317	8.05mm	.297	7.54mm	10

Plating Options	
G	10µ Gold on Contact Area / Flash on Tail
T	Matte Tin All Over
GT	10µ Gold on Contact Area / Matte Tin on Tail
H	30µ Gold on Contact Area / Matte Tin on Tail
F	Gold Flash over Entire Pin

Post Height  
A = .126 (3.20)  
B = .146 (3.71)



Mates with:  
BCSS,  
BSSH,  
BSSHC,  
BSSQ,  
BSSQC,  
BSSQM,  
LSMBC,  
LSSHSM,  
SMBC,  
SSHQ,  
SSHQR,  
SSHR,  
SSHS,  
SSHSM,  
ULSMBC

## Specifications

Current Rating: 3.0 Ampere  
Insulation Resistance: 1000MΩ Min.  
Dielectric Withstanding: 500V AC  
Contact Resistance: 20 mΩ Max.  
Operating Temperature: -40°C to + 105°C  
Max. Process Temperature:  
Peak: 260°C up to 10 secs.  
Process: 230°C up to 60 secs.  
Wave: 260°C up to 6 secs.  
Manual Solder: 350°C up to 5 secs.

## Materials

Contact Material: Phosphor Bronze  
Insulator Material: Nylon 6T  
Plating: Au or Sn over 50µ" (1,27) Ni

Products cut to specific sizes are uncancellable/nonreturnable

Parts are subject to change without notice

TTSHR-2-D SERIES

.079cl Dual Row - Right Angle  
Thicker Terminal Strip Headers

06 MAR 07

Scale  
NTS

UNLESS OTHERWISE SPECIFIED  
DIMENSIONS IN INCHES (MM)  
TOLERANCES ARE:

ONE PLACE DECIMALS ±.100  
TWO PLACE DECIMALS ±.010  
THREE PLACE DECIMALS ±.005  
FOUR PLACE DECIMALS ±.0020

ANGLES  
±3°



4235 Earnings Way, New Albany, Indiana, 47150, USA  
1-800-782-3486 (USA/Canada/Mexico)  
Tel: 812-944-7244  
Fax: 812-944-7268  
E-mail: mle@mlelectronics.com  
Web: www.mlelectronics.com

Edition  
1

Sheet  
1/1