

PLEASE CHECK WWW.MOLEX.COM FOR LATEST PART INFORMATION

Part Number: **0559174010**
Status: **Active**
Overview: microclasp
Description: 2.00mm (.079") Pitch MicroClasp™ Wire-to-Board Header, Dual Row, Vertical, 40 Circuits, with PCB Locator

Documents:

[3D Model](#) [Product Specification PS-51353-003 \(PDF\)](#)
[Drawing \(PDF\)](#) [RoHS Certificate of Compliance \(PDF\)](#)

Agency Certification

UL E29179

General

Product Family PCB Headers
 Series [55917](#)
 Application Wire-to-Board
 Overview [microclasp](#)
 Product Name MicroClasp™

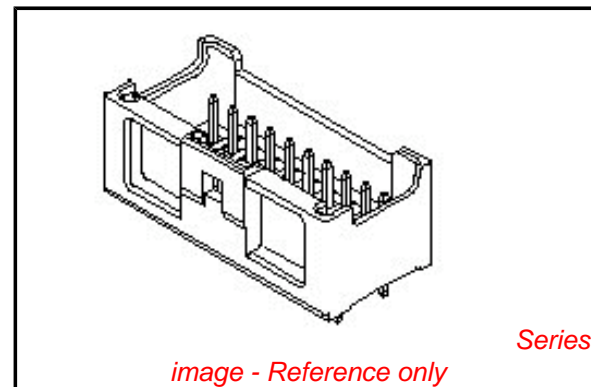
Physical

Breakaway No
 Circuits (Loaded) 40
 Circuits (maximum) 40
 Color - Resin Natural
 Durability (mating cycles max) 30
 First Mate / Last Break No
 Flammability 94V-0
 Glow-Wire Compliant No
 Guide to Mating Part No
 Keying to Mating Part None
 Lock to Mating Part Yes
 Material - Plating Mating Tin
 Material - Plating Termination Tin
 Material - Resin Polyester
 Number of Rows 2
 Orientation Vertical
 PC Tail Length (in) 0.126 In
 PC Tail Length (mm) 3.20 mm
 PCB Locator Yes
 PCB Retention Yes
 PCB Thickness Recommended (in) 0.062 In
 PCB Thickness Recommended (mm) 1.60 mm
 Packaging Type Tray
 Pitch - Mating Interface (in) 0.079 In
 Pitch - Mating Interface (mm) 2.00 mm
 Shrouded Fully
 Stackable No
 Surface Mount Compatible (SMC) No
 Temperature Range - Operating -25°C to +85°C
 Termination Interface: Style Through Hole

Electrical

Current - Maximum per Contact 3A
 Voltage - Maximum 250V

Material Info



EU RoHS

ELV and RoHS Compliant
REACH SVHC Contains SVHC: No
Halogen-Free Status

China RoHS



Need more information on product environmental compliance?

Email productcompliance@molex.com
 For a multiple part number RoHS Certificate of Compliance, [click here](#)

Please visit the [Contact Us](#) section for any non-product compliance questions.

Search Parts in this Series

[55917Series](#)

Mates With

[51353 MicroClasp™ Wire-to-Board Receptacle Housing](#)

Reference - Drawing Numbers

Packaging Specification

Product Specification

SPK-55917-001

PS-51353-003, RPS-501844-001, RPS-51353-008,
RPS-51353-009, RPS-51353-010, RPS-51353-013,
RPS-51353-014, RPS-51353-016, RPS-51353-019,
RPS-51353-020, RPS-51353-022, RPS-51353-024,
RPS-51353-025, RPS-51353-026, RPS-51353-030,
RPS-51353-031

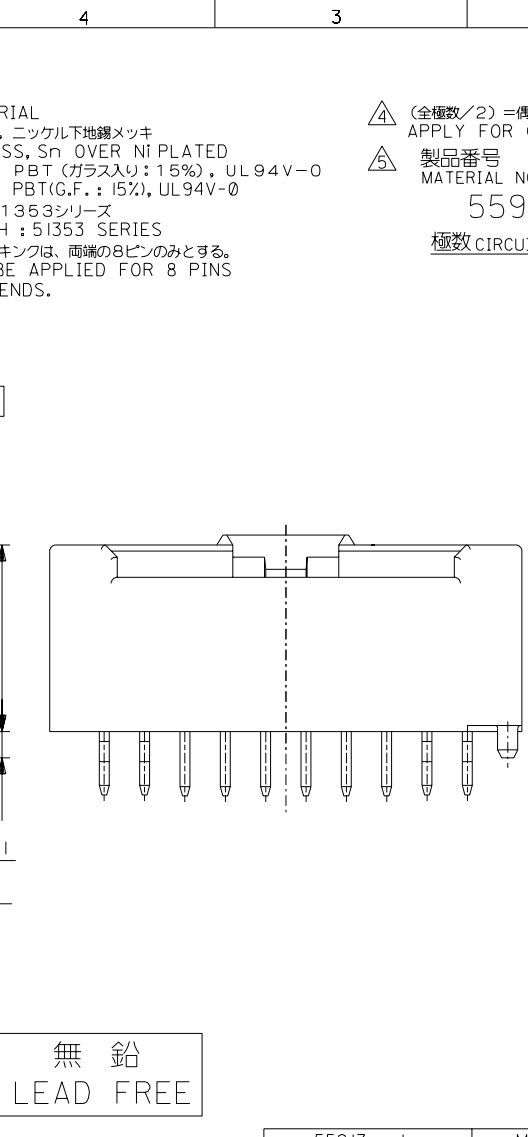
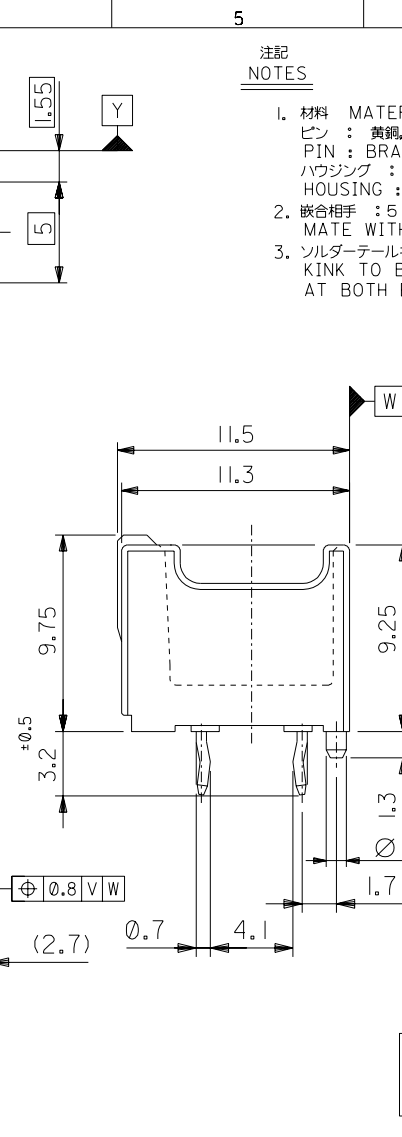
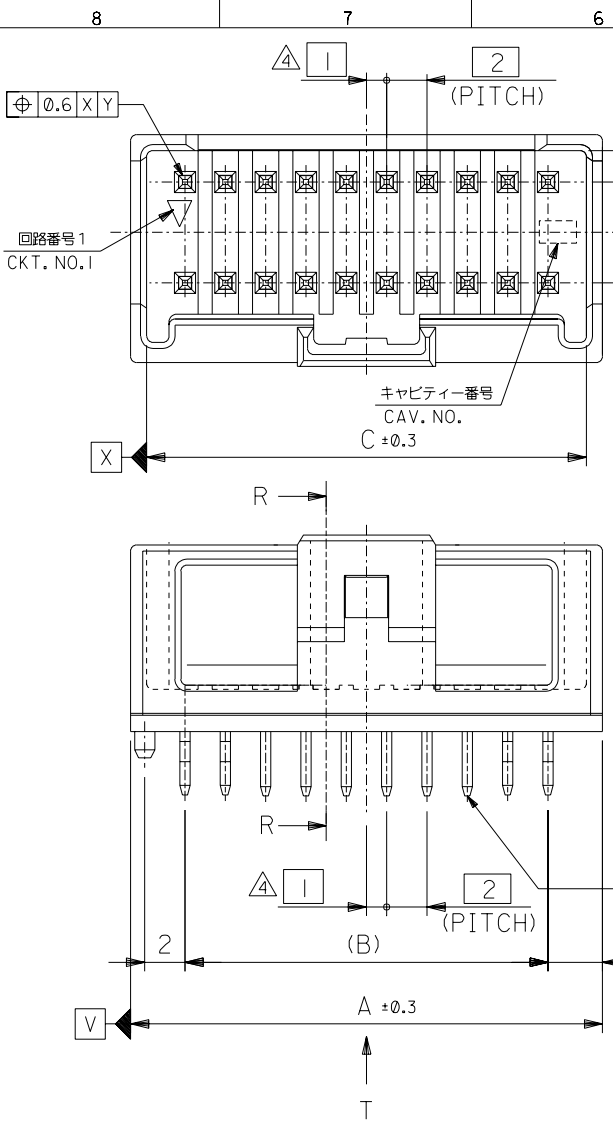
Sales Drawing

SD-55917-003

This document was generated on 06/07/2010

PLEASE CHECK WWW.MOLEX.COM FOR LATEST PART INFORMATION

DO NOT SCALE DRAWING



無鉛
LEAD FREE

注記
NOTES

1. 材料 MATERIAL
 PIN : 黄銅, ニッケル下地鍍メッキ
 PIN : BRASS, Sn OVER Ni PLATED
 ハウジング : PBT (ガラス入り: 15%), UL94V-0
 HOUSING : PBT(G.F.: 15%), UL94V-0
2. 嵌合相手 : 51353シリーズ
 MATE WITH : 51353 SERIES
3. ソルダータールキンは、両端の8ピンのみとする。
 KINK TO BE APPLIED FOR 8 PINS AT BOTH ENDS.

△ (全極数/2) = 偶数の場合に適用。
 APPLY FOR (CIRCUIT/2)=EVEN

△ 製品番号
 MATERIAL NO.
 55917-***|*
 極数CIRCUIT SIZE | 色 COLOR

| | |
|----------------------------|---|
| ナチュラル(白) NATURAL(WHITE) | 0 |
| 黒 BLACK | 1 |
| 赤 RED | 2 |
| 黄 YELLOW | 3 |
| 青 BLUE | 4 |
| 桃 PINK | 5 |
| 緑 GREEN | 6 |
| 茶 BROWN | 7 |
| 橙 ORANGE | 8 |
| 紫 VIOLET | 9 |

| | | | | |
|------|----|------|--------------|------|
| 41.8 | 38 | 43.4 | 55917-401* | 40 |
| 39.8 | 36 | 41.4 | -381* | 38 |
| 37.8 | 34 | 39.4 | -361* | 36 |
| 35.8 | 32 | 37.4 | -341* | 34 |
| 33.8 | 30 | 35.4 | -321* | 32 |
| 31.8 | 28 | 33.4 | -301* | 30 |
| 29.8 | 26 | 31.4 | -281* | 28 |
| 27.8 | 24 | 29.4 | -261* | 26 |
| 25.8 | 22 | 27.4 | -241* | 24 |
| 23.8 | 20 | 25.4 | -221* | 22 |
| 21.8 | 18 | 23.4 | -201* | 20 |
| 19.8 | 16 | 21.4 | -181* | 18 |
| 17.8 | 14 | 19.4 | -161* | 16 |
| 15.8 | 12 | 17.4 | -141* | 14 |
| 13.8 | 10 | 15.4 | -121* | 12 |
| 11.8 | 8 | 13.4 | -101* | 10 |
| 9.8 | 6 | 11.4 | 55917-081* | 8 |
| C | B | A | MATERIAL NO. | CKT. |

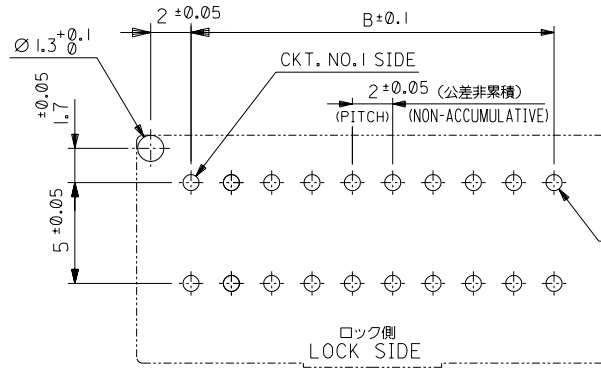
| | | | | |
|--|--|--|--|---|
| REVISED #64NO. J2003-3290 DRWN:N.ITO '03/06/26 CHK: K.ASAKAWA APPR:T.YAMAGUCHI | REVISED #63NO. J2003-3134 DRWN:N.ITO '03/06/19 CHK: K.ASAKAWA APPR:T.YAMAGUCHI | REVISED #62NO. J2002-2307 DRWN:N.ITO '02/03/18 CHK: K.ASAKAWA APPR:T.YAMAGUCHI | REVISED #61NO. J2002-1826 DRWN:N.ITO '02/02/28 CHK: K.ASAKAWA APPR:T.YAMAGUCHI | RELEASED #60NO. J2002-1196 DRWN:N.ITO '01/12/17 CHK: K.ASAKAWA APPR:T.YAMAGUCHI |
| D | C | B | A | 0 |

| | |
|----------------------|-------------------|
| MATERIAL 材料 | 注記参照 SEE NOTES |
| FINISH 仕上げ | // |
| WIRE RANGE 適用線径範囲 | // |
| INS. RANGE 被覆外径 | // |

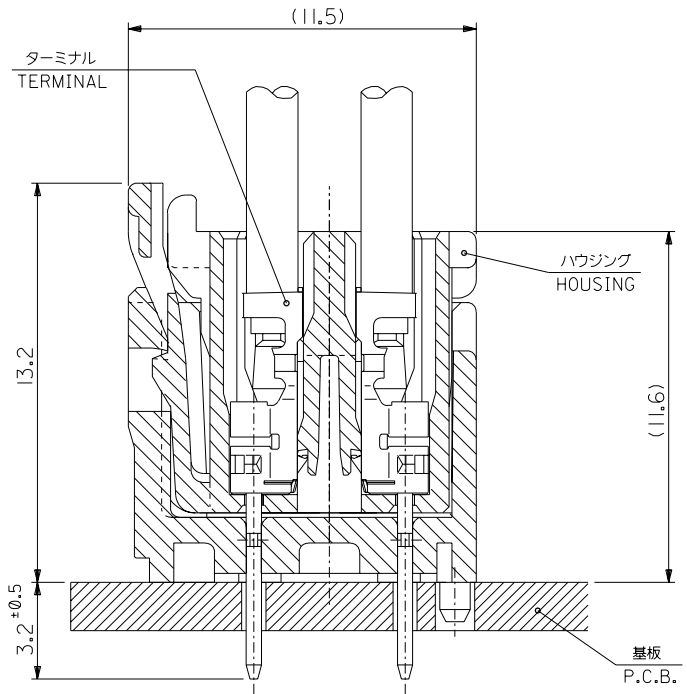
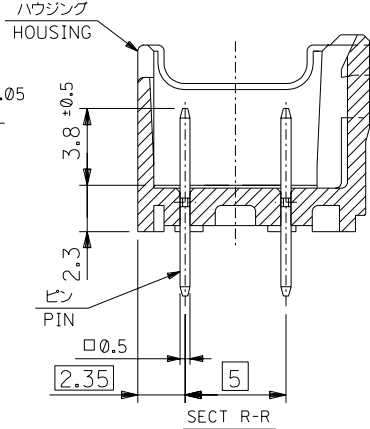
| | | |
|---|-------------|--|
| GENERAL TOLERANCES: (UNLESS SPECIFIED) 一般公差 | SCALE // | DESIGN UNITS <input checked="" type="checkbox"/> mm <input type="checkbox"/> INCH |
| 10 UNDER 未満 | ±0.2 | |
| 10 OVER 30 UNDER 未満 | ±0.25 | |
| 30 OVER 以上 | ±0.3 | |
| ANGLE 角度 | ±3° | |

| | | | | | | |
|--|----------------------------------|---|--|---|-----------|-----|
| 55917-*** * | | MODEL NO. | DIMENSIONS: <input type="checkbox"/> mm <input type="checkbox"/> INCH | | SHT | REV |
| <input checked="" type="checkbox"/> FIRST ANGLE PROJECTION | <input type="checkbox"/> mm ONLY | <input type="checkbox"/> mm ONLY | <input type="checkbox"/> mm ONLY | <input checked="" type="checkbox"/> mm ONLY | | |
| DRAWN BY & DATE N.ITO '01/12/17 | | TITLE: 2.0mm W+-B DUAL CONN DIP PLUG HOUSING ASS'Y ST (WITH BOSS) | | | | |
| CHECKED BY & DATE K.ASAKAWA '03/06/26 | | MOLEX INCORPORATED | | | | |
| APPROVED BY & DATE T.YAMAGUCHI '03/06/26 | | MATERIAL NO. | DRAWING NO. | SHEET NO. | | |
| CAD FILENAME 55917003.S01 | | SEE CHART | SD-55917-003 | 1 OF 2 | | |
| * THIS DRAWING CONTAINS INFORMATION THAT IS PROPRIETARY TO MOLEX INCORPORATED AND SHOULD NOT BE USED WITHOUT WRITTEN PERMISSION. | | | | | | |
| | | | | | SIZE B | |

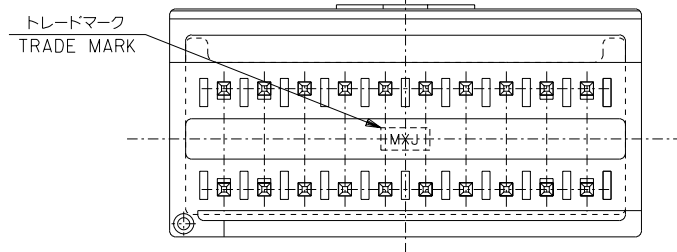
DWG. NO. SD-55917-003



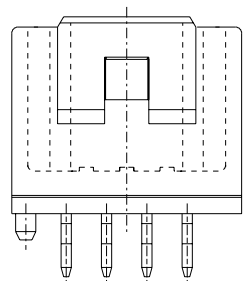
基板取付穴推奨寸法 (マウント面)
RECOMMENDED P.C.BOARD
HOLE DIMENSION
(MOUNTING SIDE)
(t = 1.6)



嵌合断面図 (参考)
MATED DRAWING (REF.)



VIEW *T*



8 CIRCUIT

無鉛
LEAD FREE

DO NOT SCALE DRAWING

| | | | | |
|--|--|--|--|--|
| REVISED | REVISED | REVISED | REVISED | RELEASED |
| 64NO. J2003-3290 DRWN:N.ITO '03/06/26 CHK: K.ASAKAWA APPR:T.YAMAGUCHI | 63NO. J2003-3134 DRWN:N.ITO '03/06/19 CHK: K.ASAKAWA APPR:T.YAMAGUCHI | 62NO. J2002-2307 DRWN:N.ITO '02/03/18 CHK: K.ASAKAWA APPR:T.YAMAGUCHI | 61NO. J2002-1826 DRWN:N.ITO '02/02/28 CHK: K.ASAKAWA APPR:T.YAMAGUCHI | 60NO. J2002-1196 DRWN:N.ITO '01/12/17 CHK: K.ASAKAWA APPR:T.YAMAGUCHI |
| D | C | B | A | 0 |

| | |
|----------------------|-------------------|
| MATERIAL 材料 | 注記参照 SEE NOTES |
| FINISH 仕上げ | // |
| WIRE RANGE 適用線径範囲 | // |
| INS. RANGE 被覆外径 | // |

| | |
|---|-------|
| GENERAL TOLERANCES: (UNLESS SPECIFIED) 一般公差 | |
| 10 UNDER 未満 | ±0.2 |
| 10 OVER 30 UNDER 未満 | ±0.25 |
| 30 OVER 以上 | ±0.3 |
| ANGLE 角度 | ±3° |

| | | | | | | |
|--|-------------------------|--|-----------------------------|---------------------|-----------|-----|
| 55917-*** | | MODEL NO. | DIMENSIONS: | | SHT | REV |
| SCALE 4:1 | DESIGN UNITS mm INCH | PROJECTION | mm INCH | mm ONLY | 2 | 2 |
| DRAWN BY & DATE N.ITO '01/12/17 | | TITLE: 2.0mm W-t-B DUAL CONN DIP PLUG HOUSING ASS'Y ST (WITH BOSS) | | | | |
| CHECKED BY & DATE K.ASAKAWA '03/06/26 | | APPROVED BY & DATE T.YAMAGUCHI '03/06/26 | | | | |
| CAD FILENAME 55917003.S02 | | MATERIAL NO. SEE CHART | DRAWING NO. SD-55917-003 | SHEET NO. 2 OF 2 | | |
| MOLEX INCORPORATED | | | | | | |
| * THIS DRAWING CONTAINS INFORMATION THAT IS PROPRIETARY TO MOLEX INCORPORATED AND SHOULD NOT BE USED WITHOUT WRITTEN PERMISSION. | | | | | | |
| | | | | | SIZE B | |