

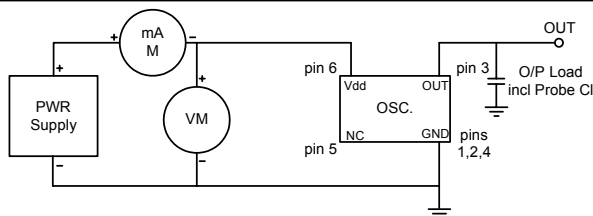
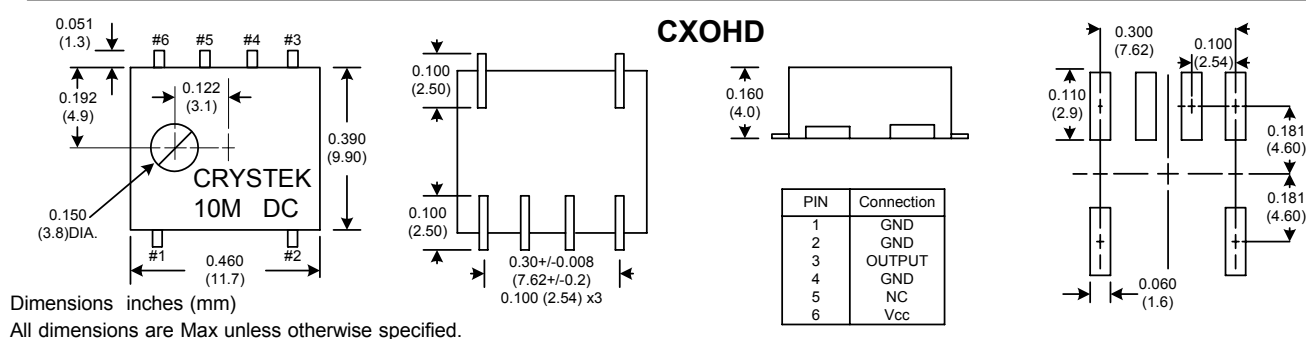
# Temperature Compensated Crystal Oscillator

## CXOHD Model 6 Pin SMD, 3.3V & 5V, HCMOS/TTL

<b>Frequency Range:</b>	10MHz to 27MHz
<b>Frequency Stability:</b>	±1.5ppm to ±5ppm
<b>Freq. Stability vs Volt:</b>	±0.5ppm Max
<b>Freq. Stability vs Load:</b>	±0.3ppm Max
<b>Temperature Range:</b>	-40°C to 85°C
<b>Storage:</b>	-55°C to 120°C
<b>Input Voltage:</b>	3.3V or 5V ±5%
<b>Trimmer Adj. Range:</b>	±3ppm Min
<b>Input Current:</b>	15mA Typ, 20mA Max
<b>Output:</b>	HCMOS/TTL
Symmetry:	40/60% Max @ 50% Vdd
Rise/Fall Time:	4ns Typ, 10ns Max
Output Voltage:	"0" = 10% Vdd Max "1" = 90% Vdd Min
Load:	15pF/10TTL Max
<b>Phase Noise Typ.:</b>	
10Hz	-100dBc/Hz
100Hz	-130dBc/Hz
1KHz	-140dBc/Hz
10KHz	-145dBc/Hz
100KHz	-150dBc/Hz
<b>Aging:</b>	<1ppm Max/Yr



Designed to meet today's requirements for tighter frequency stability tolerance while reducing pad layout requirement.



	Operating Temperature	Freq. Stability (± ppm)					
		1.5	2.0	2.5	3.0	4.0	5.0
A	0°C to 50°C	1.5	2.0	2.5	3.0	4.0	5.0
B	-10°C to 60°C	1.5	2.0	2.5	3.0	4.0	5.0
C	-10°C to 70°C		2.0	2.5	3.0	4.0	5.0
D	-20°C to 70°C		2.0	2.5	3.0	4.0	5.0
E	-30°C to 60°C			2.5	3.0	4.0	5.0
F	-30°C to 70°C					4.0	5.0
G	-30°C to 75°C						5.0
H	-40°C to 85°C						5.0
		A	B	C	D	E	F

Table 1

### Crystek Part Number Guide

**CXOHD - B C 3 - 25.000**

#1 #2 #3 #4 #5

#1 Crystek 6 Pin SMD TCXO HCMOS/TTL  
 #2 Letter = Operating Temperature (see table 1)  
 #3 Letter = Frequency Stability (see table 1)  
 #4 3 or blank = Input Volt (3 = 3.3 volts) (Blank= 5V)  
 #5 Frequency in MHz: 3 or 6 decimal places

Example:  
 CXOHD-BC3-25.000 = -10/60, ±2.5ppm, 3.3V, 25.000MHz

Specifications subject to change without notice.

TD-020814 Rev. C

