

**PLEASE CHECK WWW.MOLEX.COM FOR LATEST PART INFORMATION**

**Part Number:** [0191600002](#)  
**Status:** **Active**  
**Description:** Closed-End Insulated Splice for 10-16 AWG Wire

**Agency Certification**

CSA LR18689  
 UL E32244

**General**

Product Family Splices  
 Series [19160](#)  
 Crimp Quality Equipment Yes  
 Mil-Spec N/A  
 MolexKits Yes  
 Product Name Closed-End Insulated

**Physical**

Barrel Type Closed  
 Flammability 94V-0  
 Insulation Nylon (PA)  
 Packaging Type Bag  
 Temperature Range - Operating 105°C  
 Wire Insulation Diameter 9.65mm (.380") max  
 Wire Size AWG 10, 12, 14, 16

**Electrical**

Voltage - Maximum 600V

**Material Info**

Old Part Number NC-1610

**Reference - Drawing Numbers**

Product Specification PS-19160-005  
 Sales Drawing SD-19160-001

**EU RoHS**

**ELV and RoHS  
 Compliant**

**REACH SVHC**

Not Reviewed

**Halogen-Free**

**Status**

**Not Reviewed**

**China RoHS**



**Need more information on product  
 environmental compliance?**

Email [productcompliance@molex.com](mailto:productcompliance@molex.com)  
 For a multiple part number RoHS Certificate of  
 Compliance, [click here](#)

Please visit the [Contact Us](#) section for any  
 non-product compliance questions.

**Search Parts in this Series**

[19160Series](#)

**Application Tooling | FAQ**

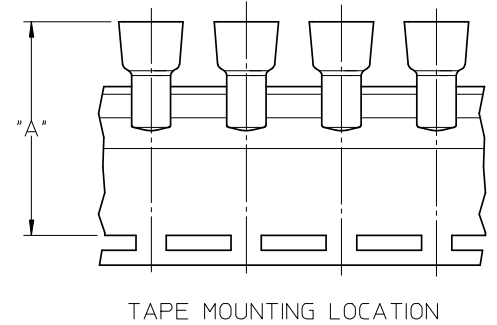
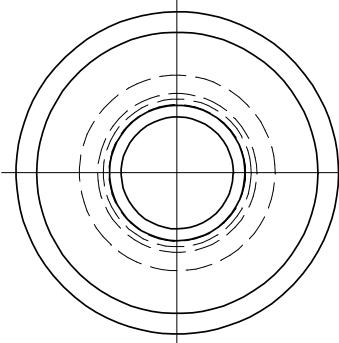
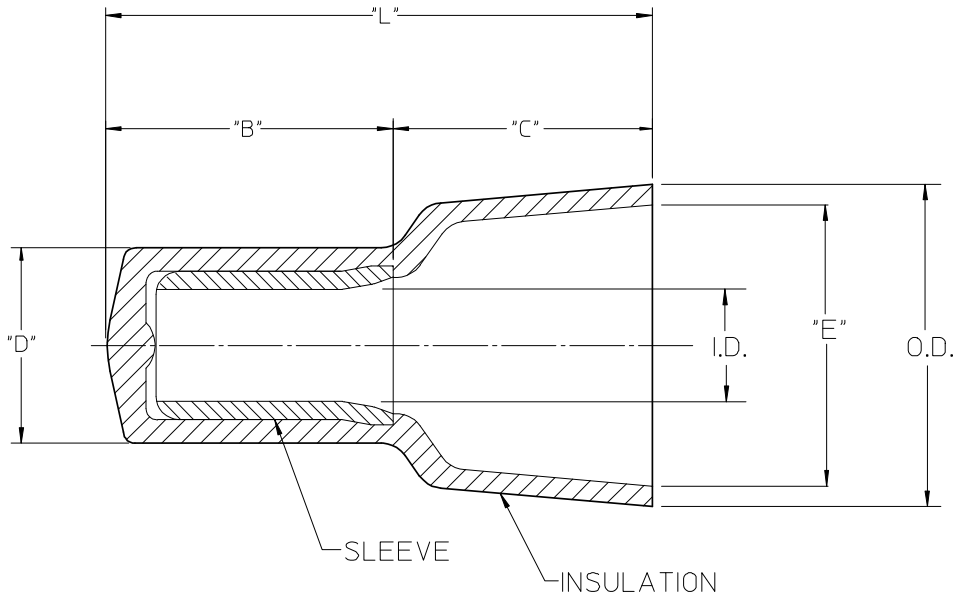
*Tooling specifications and manuals are  
 found by selecting the products below.  
 Crimp Height Specifications are then  
 contained in the Application Tooling  
 Specification document.*

**Global**

Description	Product #
Hand Crimp Tool	<a href="#">0640010600</a>
Crimp Head for the AT-200™ Pneumatic Hand Tool, Crimp from Top	<a href="#">0640053500</a>
Crimp Head for the AT-200™ Pneumatic Hand Tool	<a href="#">0640050600</a>

**PLEASE CHECK WWW.MOLEX.COM FOR LATEST PART INFORMATION**

LOOSE PIECE		TAPE MOUNTED		"L" MAX.	"B" ±.010/0.25	"D" MAX.	"E" MIN.	I.D. MIN.	O.D. MAX.	"A" DIM ±.015/0.38	"C" REF
MATERIAL NO.	ENG. NO.	MATERIAL NO.	ENG. NO.								
191600012	NC-2214	191600070	NC-2214T	.62/15.7Ⓞ	.33/8.4 Ⓞ	.19/4.8	.24/6.1	.09/2.3	.32/8.1	1.543/39.19	.28/7.1 Ⓞ
191600009	NC-2212	191600071	NC-2212T	.76/19.3Ⓞ	.35/8.9 Ⓞ	.23/5.8	.27/6.9	.10/2.5	.36/9.1	1.631/41.43	.39/9.9 Ⓞ
191600002	NC-1610	191600083	NC-1610T	.90/22.8	.39/9.9	.28/7.1	.38/9.6	.15/3.8	.45/11.4	1.750/44.45	.51/13.0
191600024	NC-8	191600028	NC-8T	1.10/27.9Ⓞ	.50/12.7Ⓞ	.36/9.1	.48/12.2	.21/5.3	.57/14.5	1.864/47.35	.60/15.2Ⓞ



NOTES:

- MATERIAL: SLEEVE: TIN-PLATED COPPER  
INSULATION: 6/6 NYLON,  
NATURAL TRANSLUCENT
- Ⓞ PARTS ARE ROHS COMPLIANT.

SALES DRAWING

<b>CORRECT DIM ERRORS</b> EC NO: WNA2008-0280 DRW: HETHRODAHL 2008/05/08 CHKD: JMACNEIL 2008/05/09 APPR: JMACNEIL 2008/05/12	QUALITY SYMBOLS ▽=0 ▽=0	GENERAL TOLERANCES (UNLESS SPECIFIED) mm INCH 4 PLACES ± --- ± --- 3 PLACES ± --- ± --- 2 PLACES ± --- ± --- 1 PLACE ± --- ± --- ANGULAR ± ---°	DIMENSION STYLE IN/MM DRAWN BY DATE H.BEITZE 04/02/23 CHECKED BY DATE R.DEROSS 04/02/23 APPROVED BY DATE R.DEROSS 04/02/23	SCALE 5:1 DESIGN UNITS INCH THIRD ANGLE PROJECTION	TITLE CLOSED END CONNECTORS NYLON INSULATED
	DRAFT WHERE APPLICABLE MUST REMAIN WITHIN DIMENSIONS		MATERIAL NO. SEE CHART	DOCUMENT NO. SD-19160-001	SHEET NO. 1 OF 1
	THIS DRAWING CONTAINS INFORMATION THAT IS PROPRIETARY TO MOLEX INCORPORATED AND SHOULD NOT BE USED WITHOUT WRITTEN PERMISSION				
	MOLEX INCORPORATED				
	SIZE B				