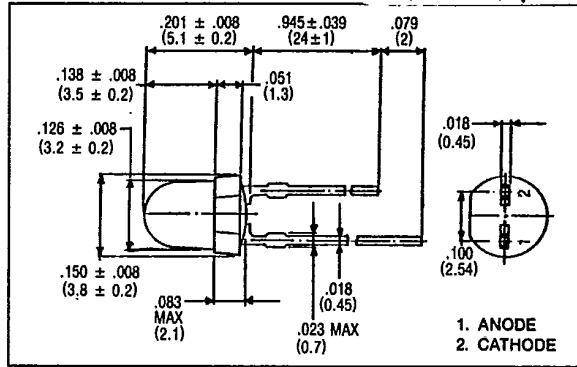


# BACKLIGHTING LED LAMPS

## FEATURES

- All plastic mold type, transparent lens.
- Wide radiation pattern-suitable for backlighting.
- Half Angle =  $\pm 45$  deg. (Typ.) (limits for 50% of  $I_v$ )
- Recommended forward current:  
 $I_F = 15 \sim 20$ mA (DC)
- Fast response time, capable of pulse operation.



## MAXIMUM RATINGS (Ta = 25°C)

PART NO.	FORWARD CURRENT (I <sub>F</sub> ) (mA)	REVERSE VOLTAGE (V <sub>R</sub> ) (V)	POWER DISSIPATION (P <sub>D</sub> ) (mW)	OPERATING TEMPERATURE (T <sub>opp</sub> ) (°C)	STORAGE TEMPERATURE (T <sub>stg</sub> ) (°C)
MT620-HR	25	4	70	-20 ~ 75	-30 ~ 100
MT620-G	25	4	70	-20 ~ 75	-30 ~ 100
MT620-Y	25	4	70	-20 ~ 75	-30 ~ 100
MT620-O	25	4	70	-20 ~ 75	-30 ~ 100

## OPTO-ELECTRICAL CHARACTERISTICS (Ta = 25°C)

PART NO.	MATERIAL	LENS COLOR	VIEWING ANGLE	LUMINOUS INTENSITY (mcd)				FORWARD VOLTAGE (v)			REVERSE CURRENT		PEAK WAVELENGTH (nm)	SPEC. LINE HALF WIDTH (nm)
				typ.	min.	typ.	@mA	typ.	max.	@ mA	μA	V <sub>r</sub>		
MT620-HR	GaAsP/GaP	Red/Clear	90°	1.2	5.0	10	2.1	2.8	20	100	4	635	40	
MT620-G	GaP/GaP	Green/Clear	90°	1.5	6.0	10	2.1	2.8	20	5	4	565	25	
MT620-Y	GaAsP/GaP	Yellow/Clear	90°	1.2	5.0	10	2.1	2.8	20	100	4	585	32	
MT620-O	GaAsP/GaP	Orange/Clear	90°	1.2	5.0	10	2.1	2.8	20	100	4	610	35	