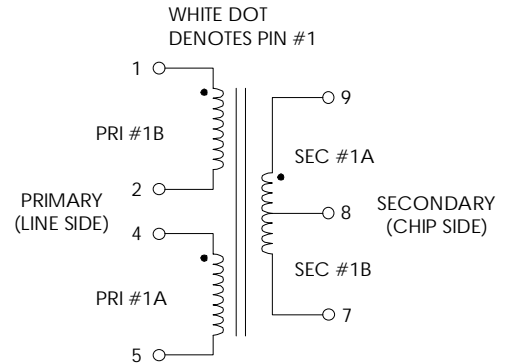
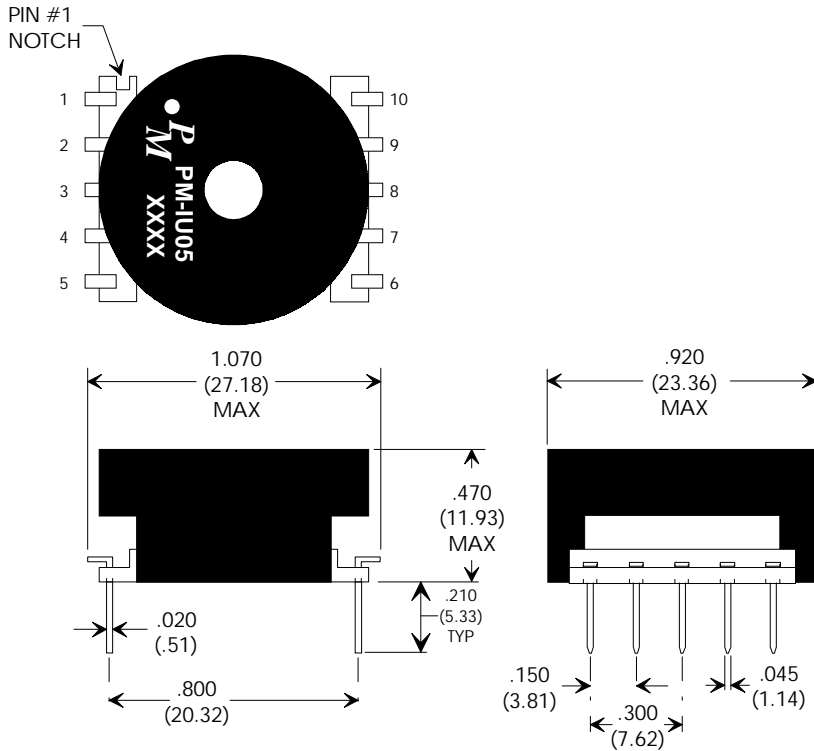


ISDN-U THRU HOLE & SMD ISOLATION TRANSFORMERS

TS2311 MECHANICAL

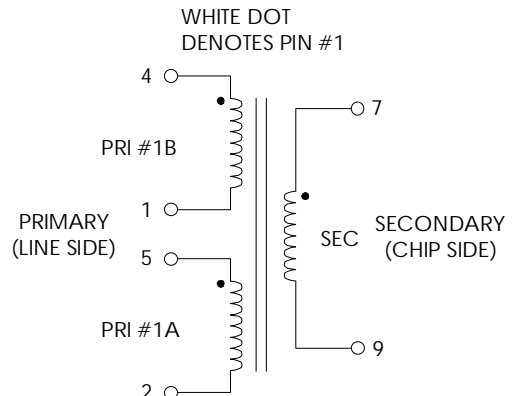
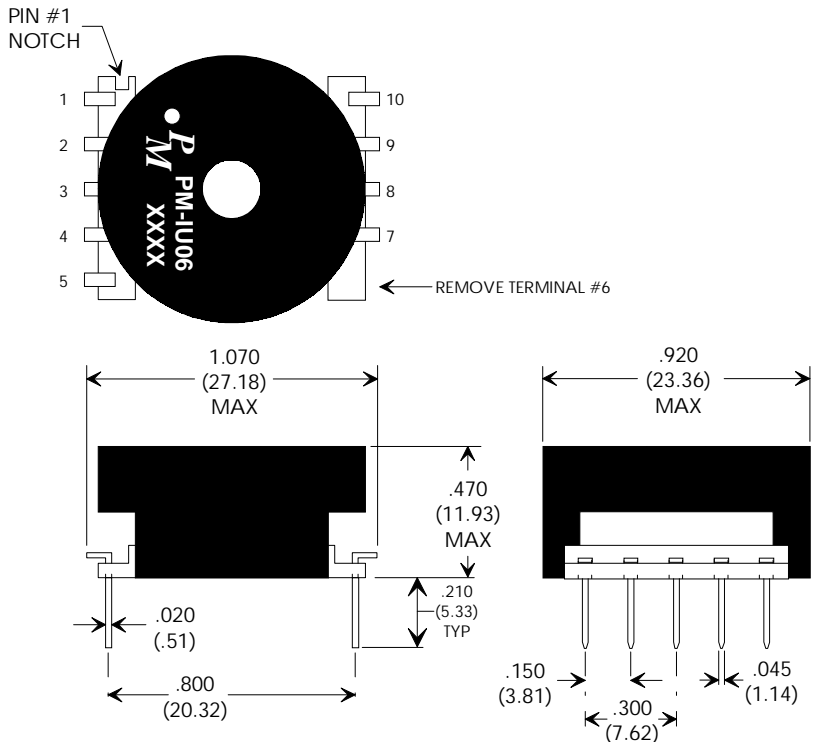
PM-IU05



NOTE:
1) PRIMARY CENTER TAP IS FORMED BY CONNECTING PIN#2 TO PIN#4

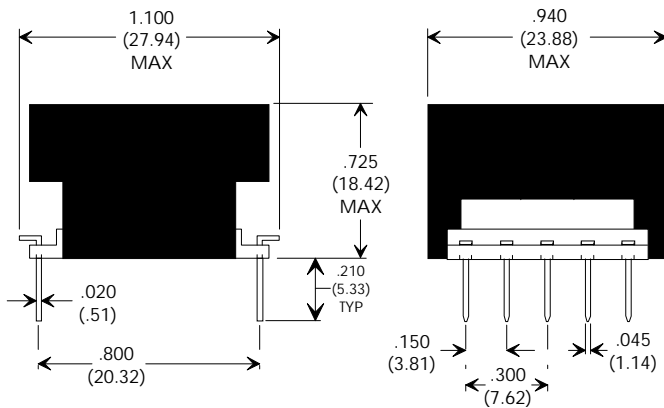
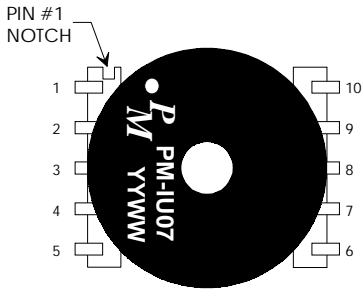
TS2311 MECHANICAL

PM-IU06

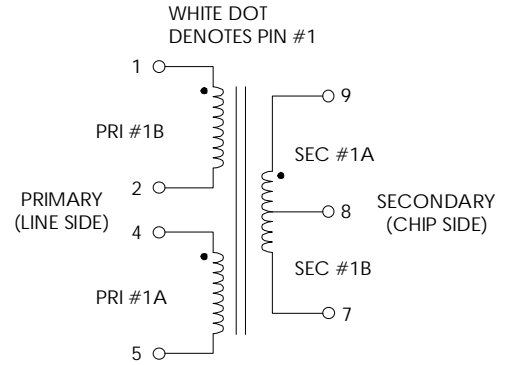


NOTE:
1) PRIMARY CENTER TAP IS FORMED BY CONNECTING PIN #1 TO PIN #5

TS2318 MECHANICAL



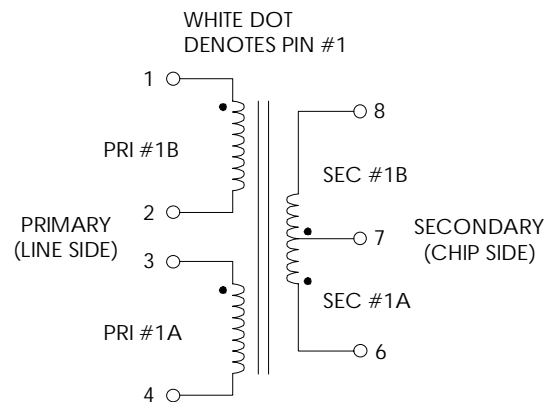
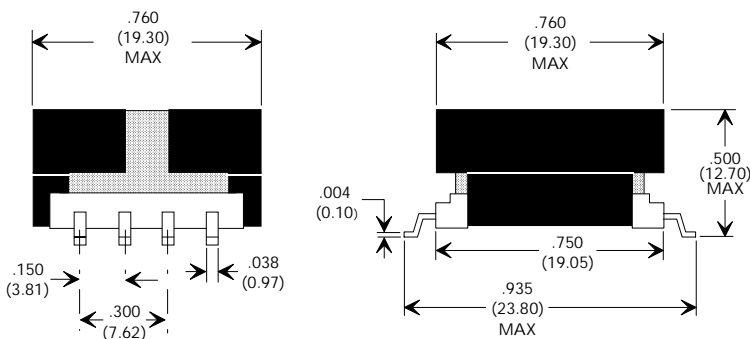
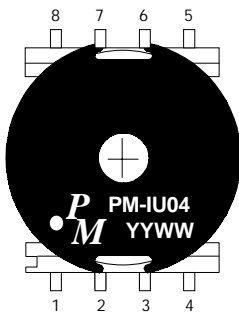
PM-IU07



NOTE:
1) PRIMARY CENTER TAP IS FORMED BY CONNECTING PIN#2 TO PIN#4

NOTE1:
REINFORCED INSULATION, UL1950, IEC950, CSA-950:
A) MATERIALS MEET "UL", "CSA" & "IEC" REQUIREMENTS
B) MATERIALS ARE CLASS B (130°C) OR BETTER.
C) MARGIN WOUND FOR > 2.5mm CREEPAGE CLEARANCE
D) VARNISH FINISHED ASSEMBLY.

1811 SMD MECHANICAL

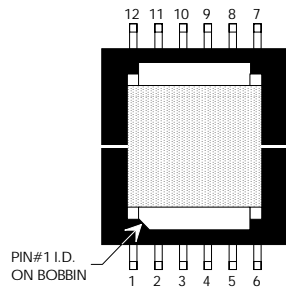


NOTE:
1) PRIMARY CENTER TAP IS FORMED BY CONNECTING PIN#2 TO PIN#4

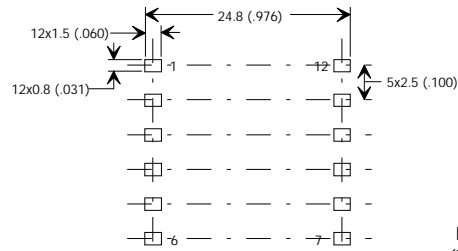
Specifications subject to change without notice.

pmiu 06/99

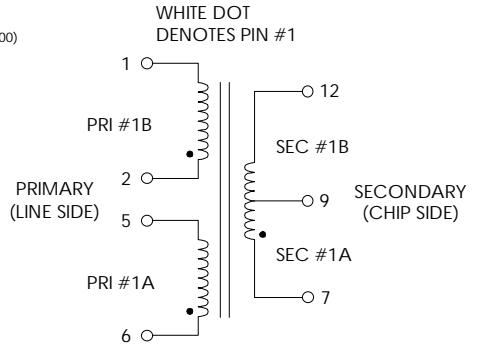
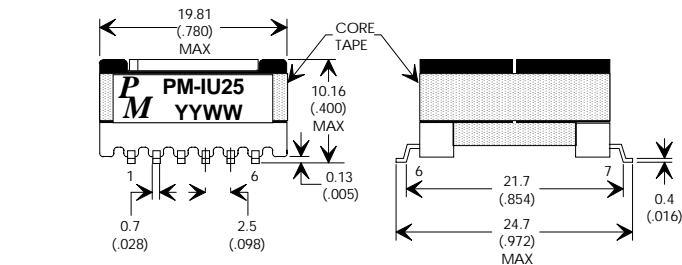
EPC19 SMD MECHANICAL



RECOMMENDED P.C.B. LAYOUT Dimensions in inches (mm)

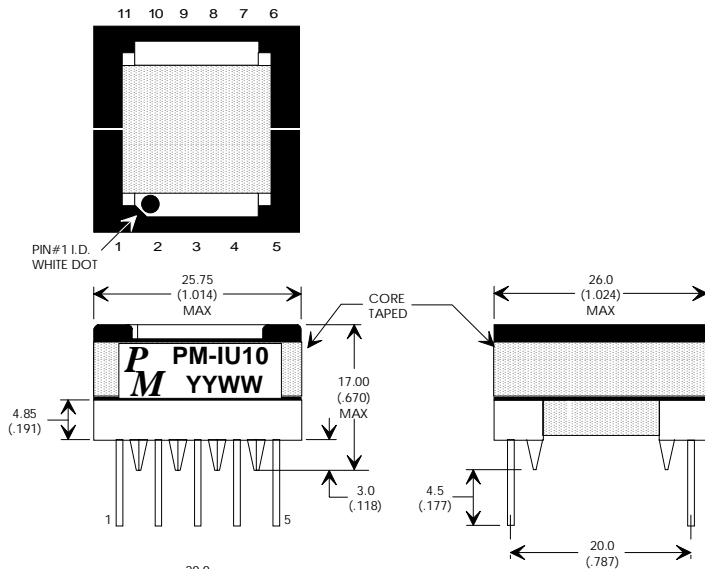


PM-IU25 & PM-IU26

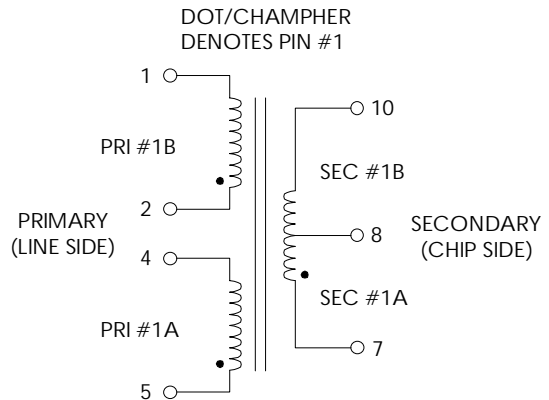


NOTE:
1) PRIMARY CENTER TAP IS FORMED BY CONNECTING PIN#2 TO PIN#5

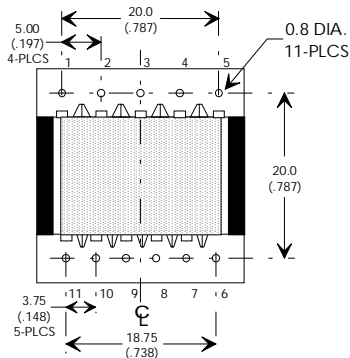
EPC25 MECHANICAL



PM-IU10



NOTE:
1) PRIMARY CENTER TAP IS FORMED BY CONNECTING PIN#2 TO PIN#4



NOTE1:
REINFORCED INSULATION SYSTEM, UL1950, IEC950, CSA-950:
A) ALL MATERIALS MEET "UL", "CSA" & "IEC" REQUIREMENTS
B) ALL MATERIALS ARE CLASS B (130°C) OR BETTER.
C) MARGIN WOUND FOR > 5.0mm CREEPAGE CLEARANCE
D) VARNISH FINISHED ASSEMBLY.