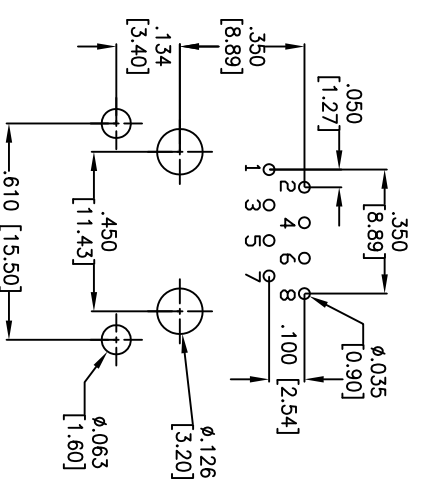
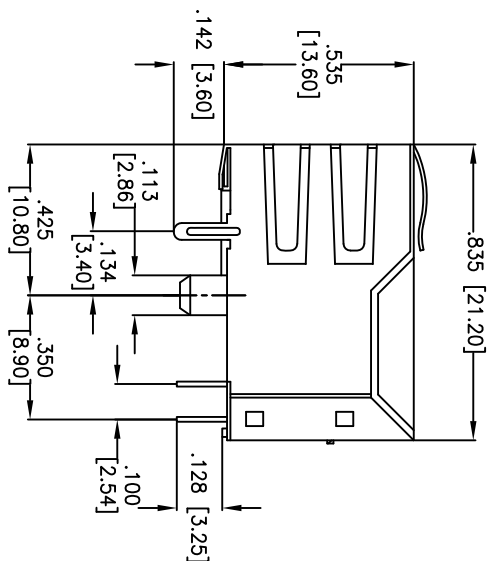
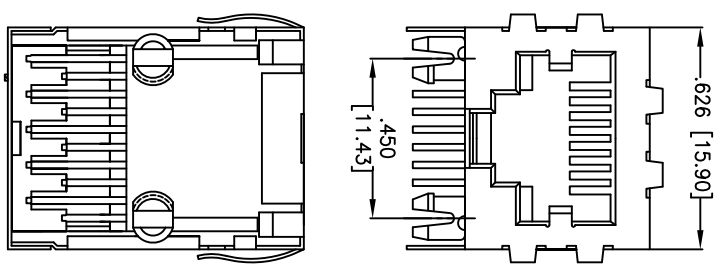


Rev	AWO #	Description	Date	Appr
-	10047	RELEASED	2/22/10	

APPROVED: _____
 DATE: _____ TITLE: _____



RECOMMENDED PCB LAYOUT

SPECIFICATIONS:

Material: Insulator: PBT, glass reinforced , thermoplastic, rated UL 94V-0
 Insulator color: Black
 Contacts: Copper Alloy
 Shield: Copper Alloy, Nickel plated
 Contact Plating:
 Gold Flash over Nickel underplate on contact area,
 Tin over Copper underplate on toils
 (See chart for thickness).

X	PLATING
0	15 μin Gold
1	30 μin Gold
2	50 μin Gold

Electrical:

Operating voltage: 150 VAC max
 Current rating: 1.5 Amps max
 Contact Resistance: 20 mohms max. initial
 Insulation resistance: 500 Mohms min @ 500 VDC
 Dielectric withstanding voltage: 1000 VAC for 1 minut

Temperature Rating:

Operating temperature: -40°C to +70°C
 Environmental:
 Lead free, RoHS compliant.
 Recommended soldering temp: 235°C for 5 sec.



UNLESS OTHERWISE SPECIFIED
 ALL DIMENSIONS ARE INCHES [MM]
 TOLERANCES: EXCEPT AS NOTED
 INCHES
 .X ± .10
 .XX ± .020
 .XXX ± .015
 Holes
 Ø.X ± .10
 Ø.XXX ± .015
 APPROVALS
 DRAWN DY 2/22/10
 CHECKED
 APPROVED

ADAM TECH

909 Rahway Avenue, Union, NJ 07083
 Phone: 908-687-5000 Fax: 908-687-5710

TITLE: MODULAR JACK GANGED, 1 PORT, 8P8C
 PCB TYPE

SIZE	PART NO.	REV.
X	MTJ-88TX1-FSF-PG-M14	-

REF: S00085T SCALE: NTS SHEET 1 OF 2