

**PLEASE CHECK WWW.MOLEX.COM FOR LATEST PART INFORMATION**

**Part Number:** [0015244449](#)  
**Status:** **Active**  
**Overview:** [disk drive power connector](#)  
**Description:** 5.08mm (.200") Pitch Disk Drive Power Connection System Header, Vertical, Through Hole, 4 Circuits, Lead-free, 3.60mm (.140") PC Tail Length, without PCB Locator Peg

**Documents:**

[3D Model](#) [Product Specification PS-8981-4V\\* \(PDF\)](#)  
[Drawing \(PDF\)](#) [RoHS Certificate of Compliance \(PDF\)](#)

**Agency Certification**

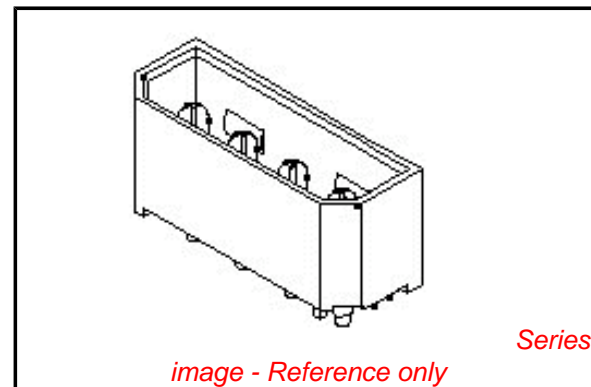
CSA	LR19980
TUV	R9551091
UL	E29179

**General**

Product Family	PCB Headers
Series	<a href="#">8981</a>
Application	Wire-to-Board
MolexKits	Yes
Overview	<a href="#">disk drive power connector</a>
Product Name	Disk Drive Power

**Physical**

Breakaway	No
Circuits (Loaded)	4
Circuits (maximum)	4
Color - Resin	Natural
Durability (mating cycles max)	50
First Mate / Last Break	No
Flammability	94V-0
Glow-Wire Compliant	No
Guide to Mating Part	No
Keying to Mating Part	None
Lock to Mating Part	Yes
Material - Metal	Phosphor Bronze
Material - Plating Mating	Tin
Material - Plating Termination	Tin
Material - Resin	Nylon
Number of Rows	1
Orientation	Vertical
PC Tail Length (in)	0.142 In
PC Tail Length (mm)	3.60 mm
PCB Locator	No
PCB Retention	None
PCB Thickness Recommended (in)	0.062 In
PCB Thickness Recommended (mm)	1.60 mm
Packaging Type	Bag
Pitch - Mating Interface (in)	0.200 In
Pitch - Mating Interface (mm)	5.08 mm
Plating min: Mating (µin)	101.6
Plating min: Mating (µm)	2.54
Plating min: Termination (µin)	101.6
Plating min: Termination (µm)	2.54
Polarized to Mating Part	Yes
Polarized to PCB	No



*image - Reference only*

**EU RoHS**

**ELV and RoHS  
Compliant**

**REACH SVHC**

**Contains SVHC: No**

**Halogen-Free**

**Status**

**Halogen-Free**

**China RoHS**



**Need more information on product  
environmental compliance?**

Email [productcompliance@molex.com](mailto:productcompliance@molex.com)  
 For a multiple part number RoHS Certificate of Compliance, [click here](#)

Please visit the [Contact Us](#) section for any non-product compliance questions.

**Search Parts in this Series**

[8981Series](#)

**Mates With**

[15244048](#) Disk Drive Power Connection System Female Crimp Housing

Shrouded	Fully
Stackable	No
Surface Mount Compatible (SMC)	Yes
Temperature Range - Operating	-40°C to +105°C
Termination Interface: Style	Through Hole

**Electrical**

Current - Maximum per Contact	10A
Voltage - Maximum	250V

**Solder Process Data**

Duration at Max. Process Temperature (seconds)	5
Lead-free Process Capability	SMC & Wave Capable (TH only)
Max. Cycles at Max. Process Temperature	1
Process Temperature max. C	265

**Material Info**

Old Part Number	A-8981-4V-LF
-----------------	--------------

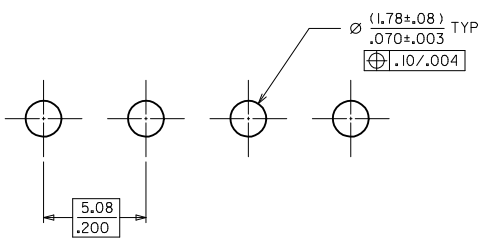
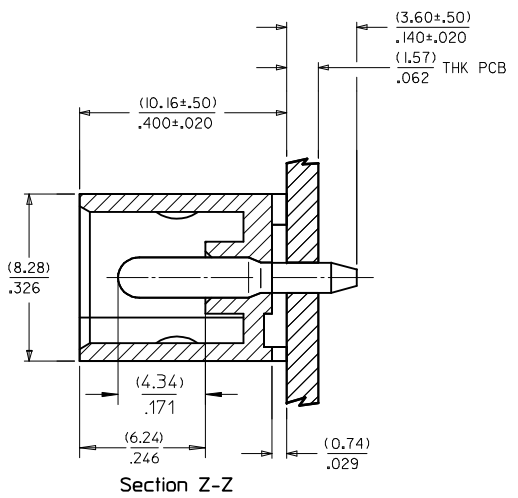
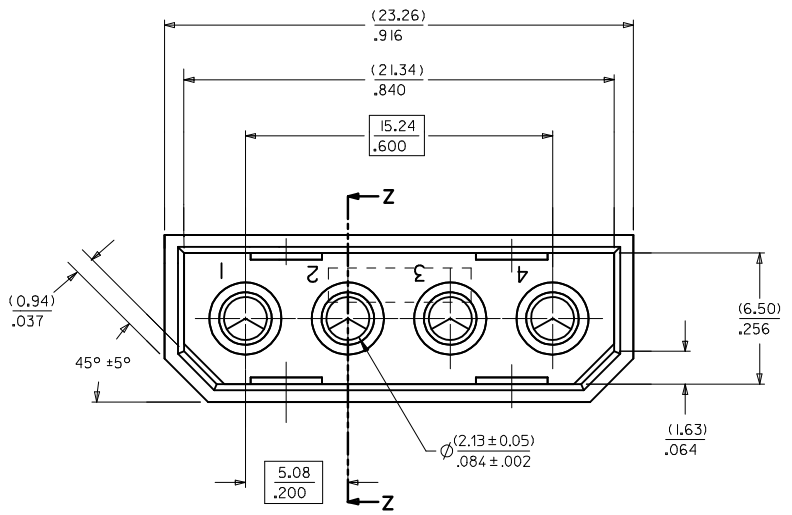
**Reference - Drawing Numbers**

Product Specification	PS-8981-4V*
Sales Drawing	SDA-8981-4V

This document was generated on 06/07/2010

**PLEASE CHECK [WWW.MOLEX.COM](http://WWW.MOLEX.COM) FOR LATEST PART INFORMATION**

MAT'L NO.	ENG NO.
15-24-4449	A-8981-4V-LF



RECOMMENDED P C B HOLE LAYOUT

NOTES:

- PART TO MATE WITH HOUSING 8981-4P AND TERMINAL 8980-3\*.
- PRODUCT SPEC. PS -8981-4V\* APPLIES

MATERIAL :

HOUSING : NYLON 6/6. UNFILLED, 94V-2. COLOR - BEIGE.  
 TERMINAL : PHOSPHOR BRONZE, C51000  
 PLATING : POSTPLATE (0.00254)/.000100 MIN. TIN OVER  
 (0.00127)/.000050 MIN. NICKEL OVERALL

UPDATES VIEW EC NO: S2009-0150 DRWN:SKANG 2008/09/19 CHKD:ATSEE 2008/09/19 APPR:MLONG 2008/09/19	QUALITY SYMBOLS	GENERAL TOLERANCES (UNLESS SPECIFIED)	DIMENSION STYLE	SCALE	DESIGN UNITS	THIRD ANGLE PROJECTION
	▽=0 Ⓢ=0	mm INCH 4 PLACES ± --- ± --- 3 PLACES ± --- ± .008 2 PLACES ± 0.20 ± --- 1 PLACE ± --- ± --- ANGULAR ± 3 °	MM/IN	NTS	METRIC	
	DESCRIPTION	DRAWN BY DATE	TITLE	MOLEX INCORPORATED SDA-8981-4V		
	REV	CHECKED BY DATE	APPROVED BY DATE	MATERIAL NO.	DOCUMENT NO.	SHEET NO.