

4

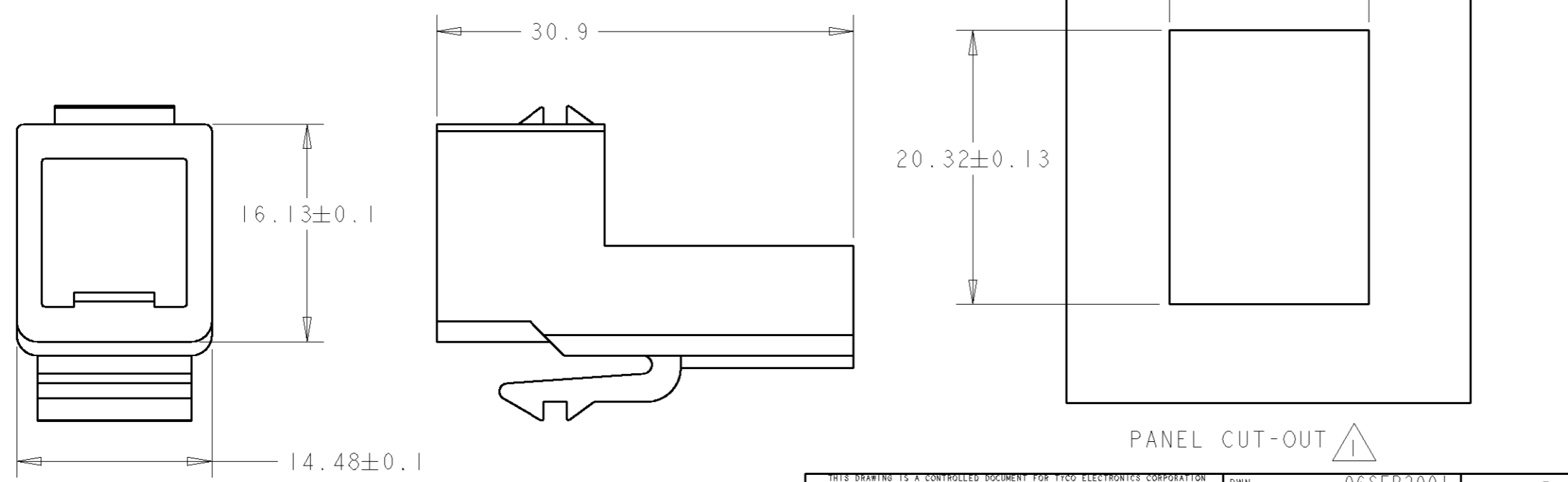
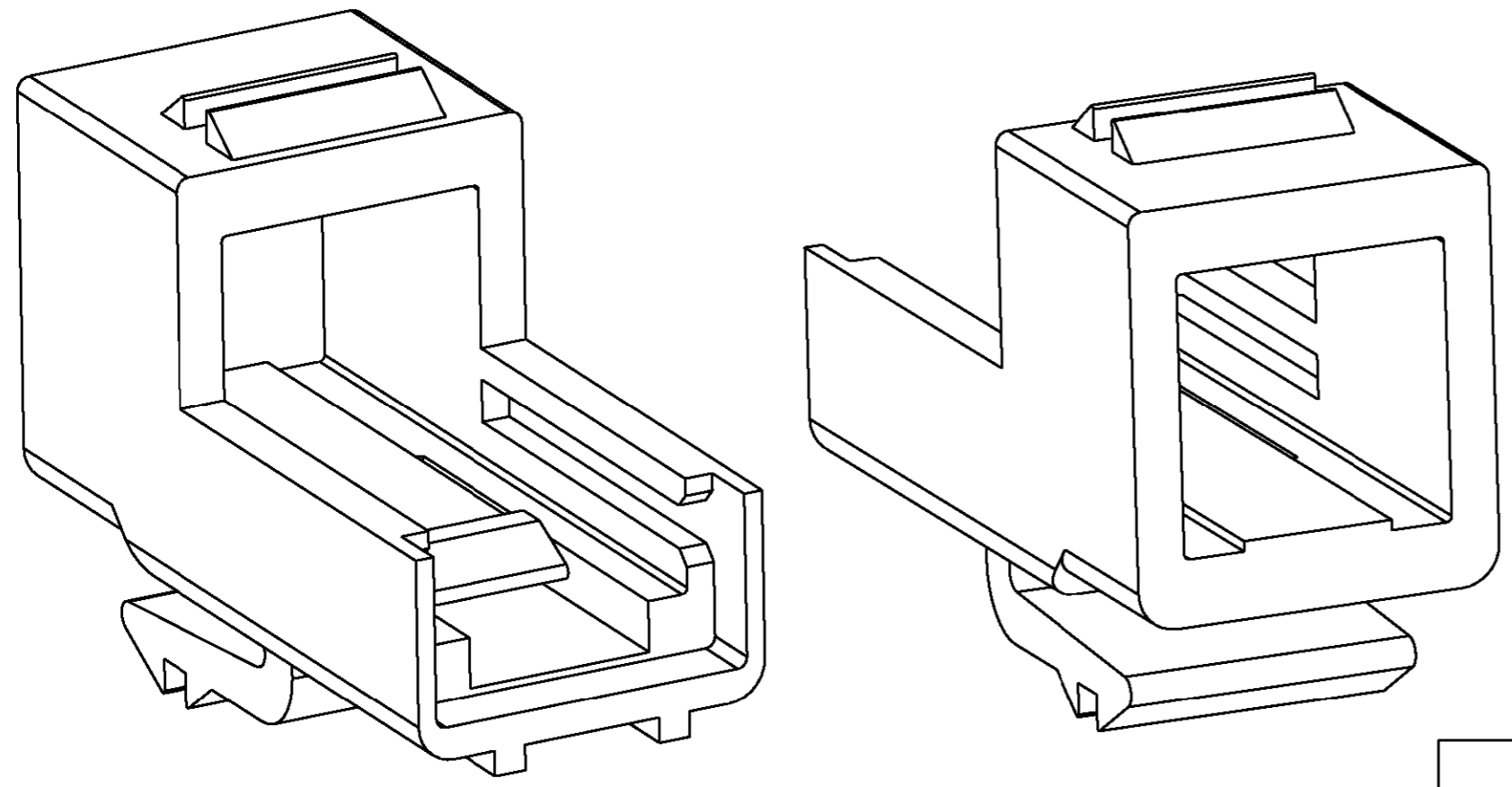
3

2

1

THIS DRAWING IS UNPUBLISHED. RELEASED FOR PUBLICATION 20
 © COPYRIGHT 20 BY TYCO ELECTRONICS CORPORATION. ALL RIGHTS RESERVED.

| LOC | DIST | REVISIONS | | | | | |
|-----|------|-----------|-----|-------------------------|-----------|-----|------|
| | | P | LTR | DESCRIPTION | DATE | DWN | APVD |
| CE | 00 | | O | RELEASE PER NPR 00-124 | 06SEP2001 | BB | BE |
| | | | A | REVISE PER 0A00-0508-03 | 16OCT2003 | BB | DR |
| | | | B | REVISE PER 0A00-0413-04 | 19AUG2004 | BB | DK |
| | | | C | REVISE PER 0A00-0096-05 | 03MAR2005 | BB | DK |



| | |
|--------------|-------------|
| SLATE | 2-1374416-6 |
| BROWN | 2-1374416-5 |
| AQUA | 2-1374416-4 |
| ROSE | 2-1374416-3 |
| ELECT. IVORY | 1-1374416-1 |
| VIOLET | 1-1374416-0 |
| GREEN | 1374416-9 |
| YELLOW | 1374416-8 |
| RED | 1374416-7 |
| BLUE | 1374416-6 |
| ORANGE | 1374416-5 |
| GRAY | 1374416-4 |
| WHITE | 1374416-3 |
| BLACK | 1374416-2 |
| ALMOND | 1374416-1 |
| COLOR | PART NUMBER |

⚠ PANEL THICKNESS IS 1.65/1.50mm.
 2. BULK PACKAGE, 6 PCS.

THIS DRAWING IS A CONTROLLED DOCUMENT FOR TYCO ELECTRONICS CORPORATION
 IT IS SUBJECT TO CHANGE AND THE CONTROLLING ENGINEERING ORGANIZATION
 SHOULD BE CONTACTED FOR THE LATEST REVISION.

| DIMENSIONS: | TOLERANCES UNLESS OTHERWISE SPECIFIED: |
|-------------|--|
| mm | |
| | 0 PLC ±0.1 |
| | 1 PLC ±0.1 |
| | 2 PLC ±0.05 |
| | 3 PLC ± |
| | 4 PLC ± |
| | ANGLES ± |
| | ± |
| MATERIAL | FINISH |
| - | - |

| | | |
|------------------|------------|-----------|
| DWN | B. BRIGGS | 06SEP2001 |
| CHK | B. BRIGGS | 06SEP2001 |
| APVD | B. EDWARDS | 06SEP2001 |
| PRODUCT SPEC | - | - |
| APPLICATION SPEC | - | - |
| WEIGHT | - | - |
| CUSTOMER DRAWING | | |

| | | | |
|--|-----------|---------------------------|---------------|
| tyco Tyco Electronics | | Harrisburg, PA 17105-3608 | |
| NAME CONNECTOR JACK HOUSING, 39mm, MT-RJ FIELD TERMINATION | | | |
| SIZE | CAGE CODE | DRAWING NO | RESTRICTED TO |
| A3 | 00779 | 1374416 | - |
| SCALE 4:1 | | SHEET 1 | OF 1 |
| | | REV | C |