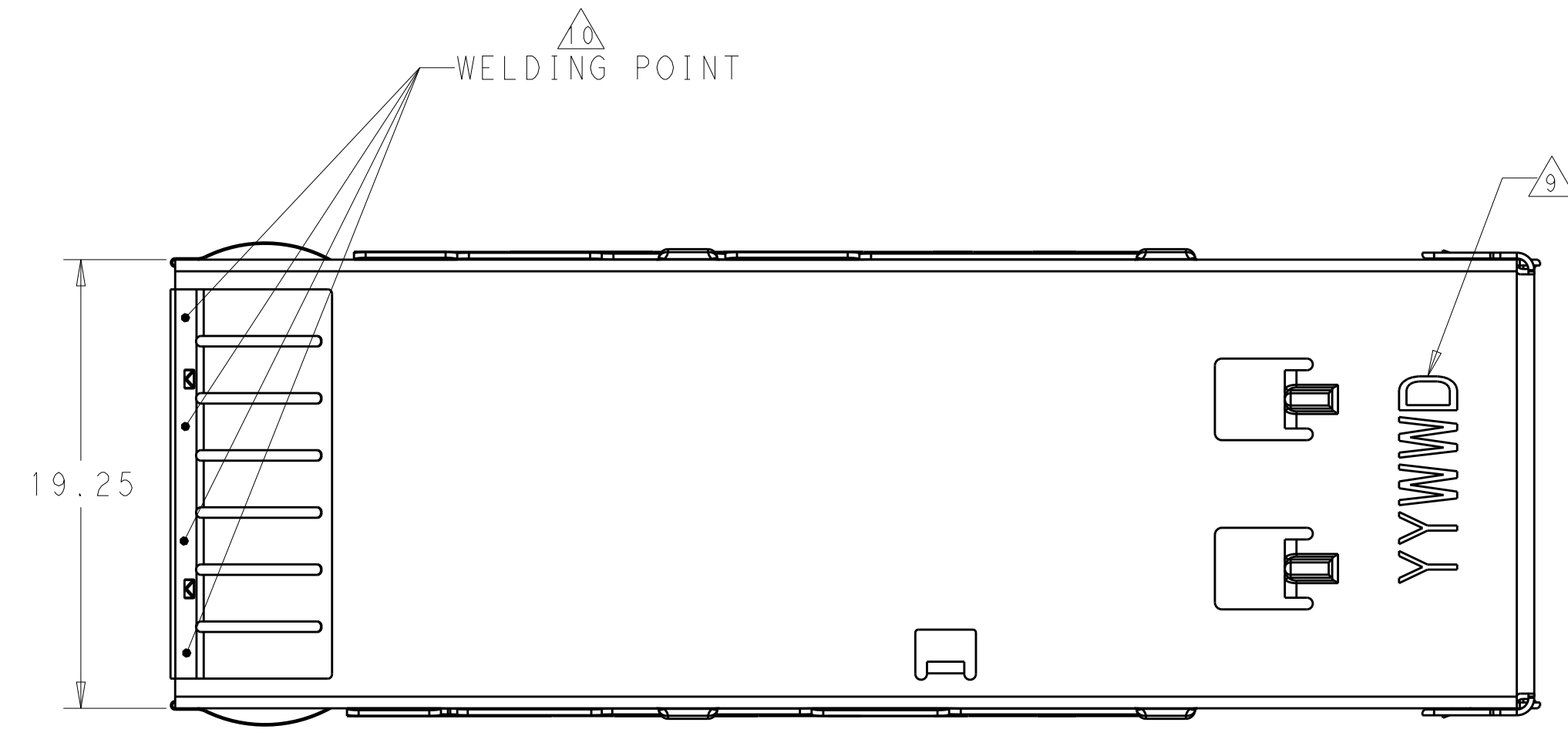
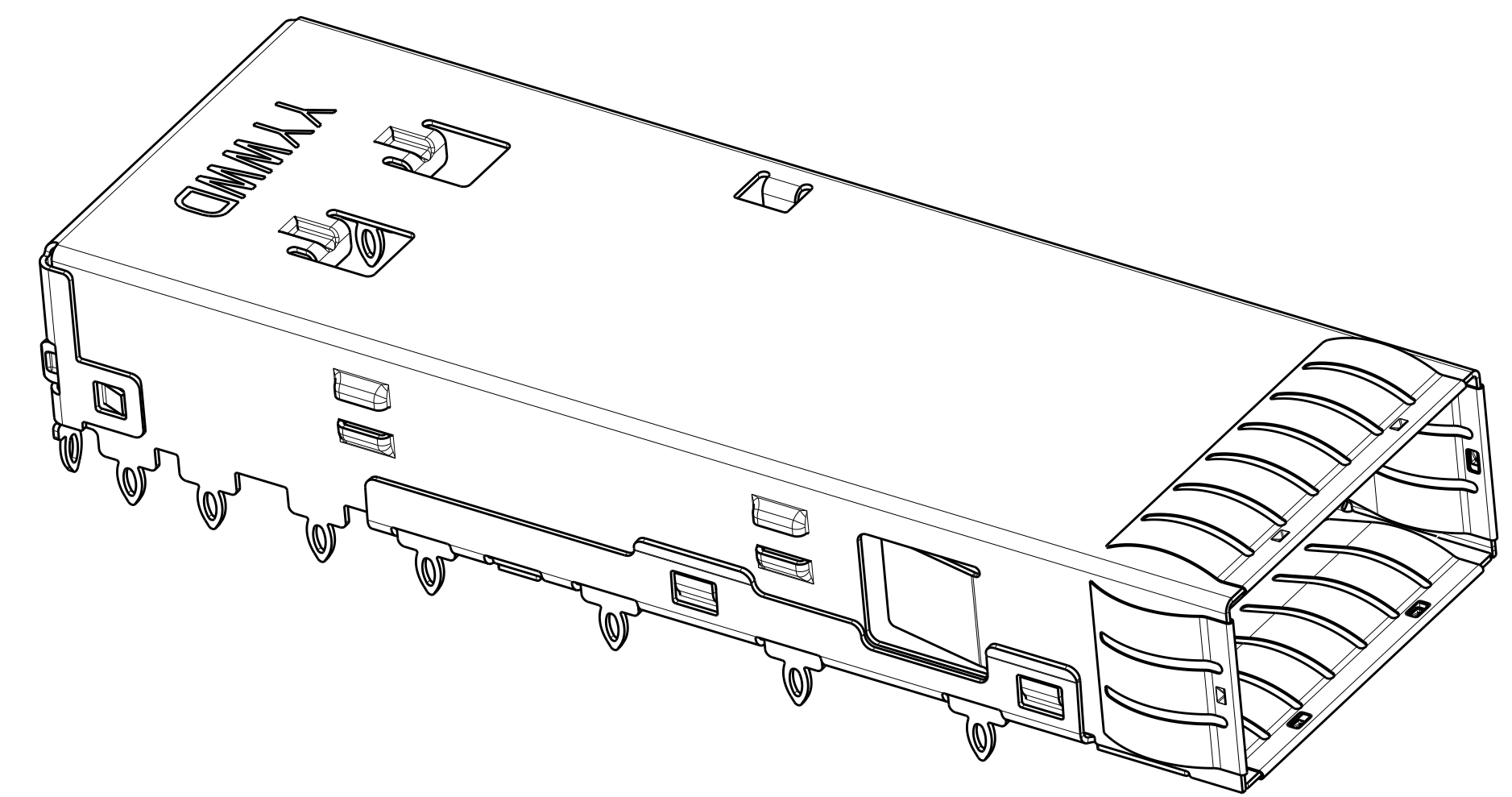
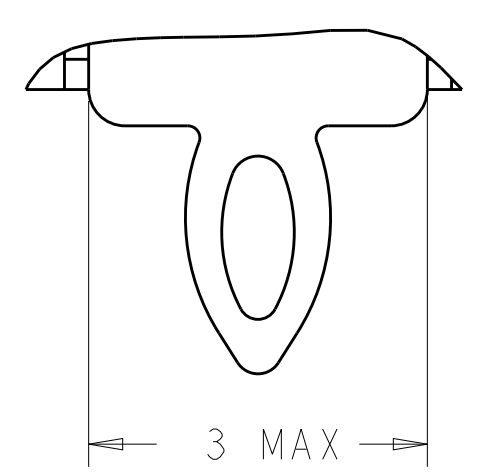
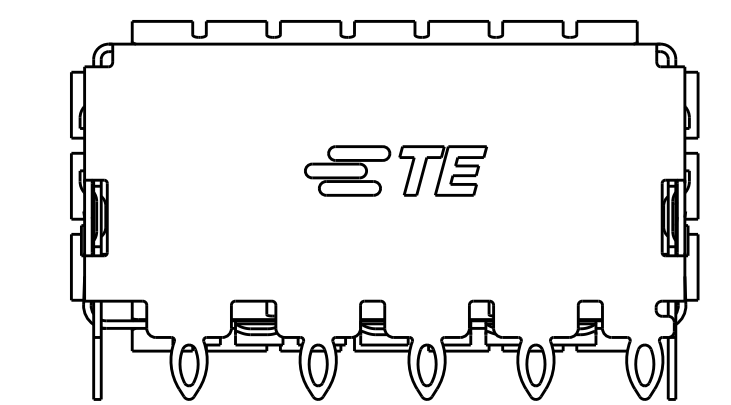
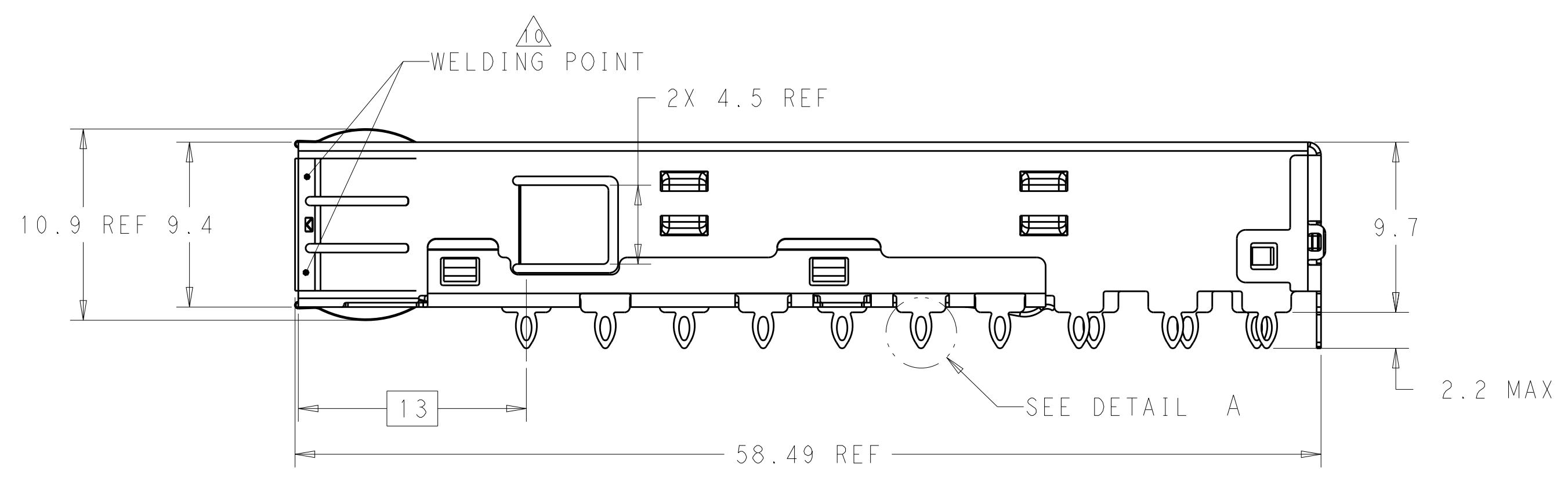
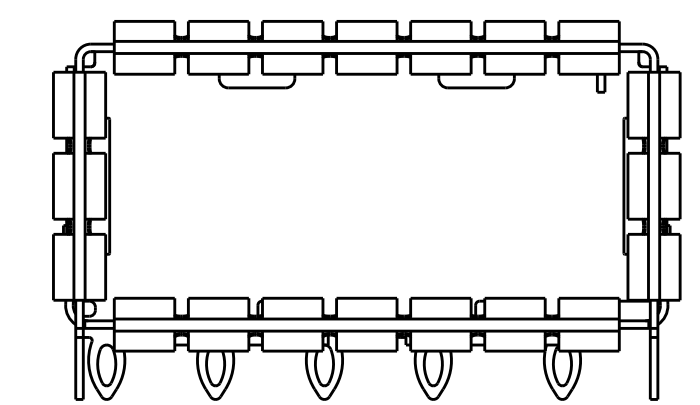


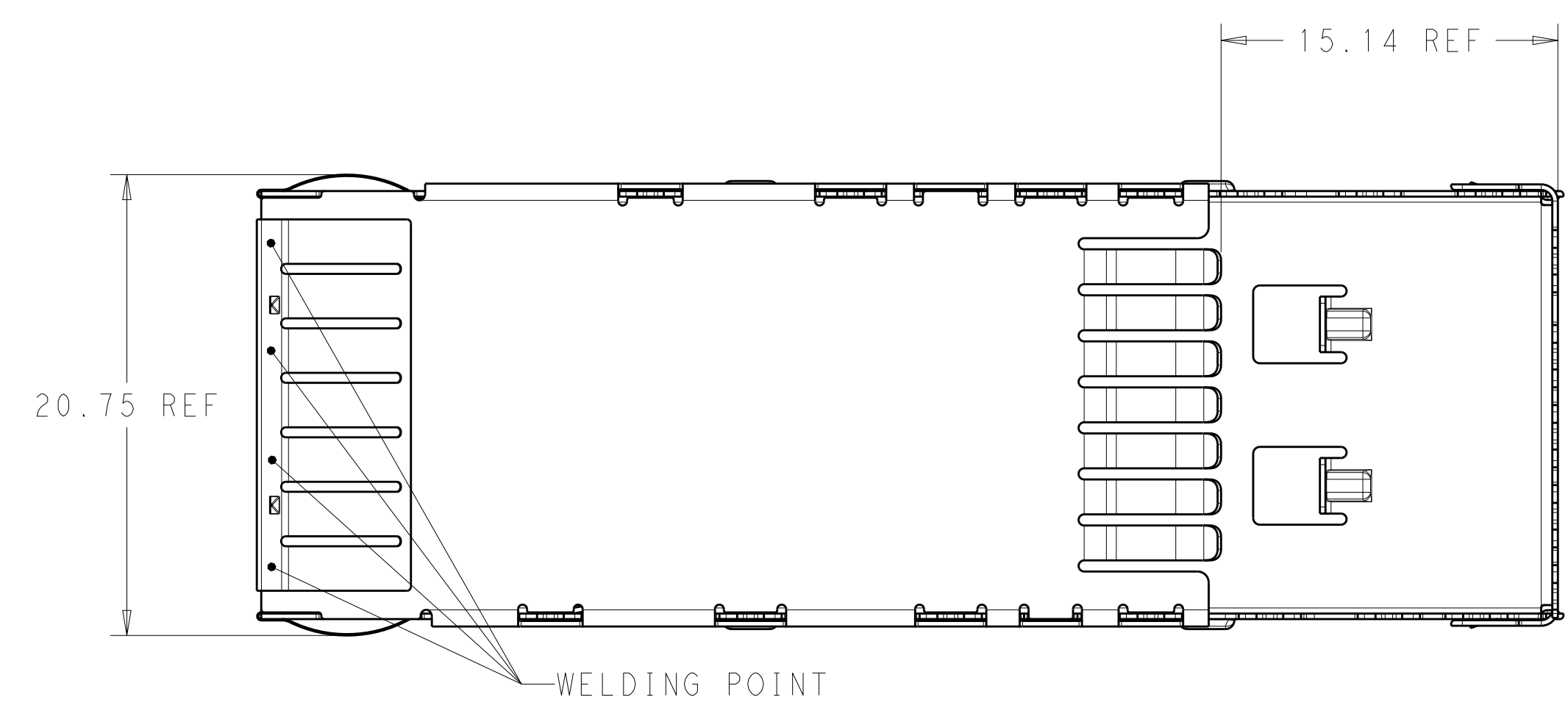
LOC		DIST		REVISIONS			
P	LTN	DESCRIPTION	DATE	DWN	APVD		
	A	RELEASE PER ECO-15-018552	31DEC2015	RG	SH		



- △ CAGE MATERIAL : 0.25 mm THICK NICKEL SILVER.
 SPRING MATERIAL: COPPER ALLOY, NICKEL PLATING
- △ MINIMUM PITCH DIMENSION
- 3. MATES WITH QSFP MSA COMPATIBLE TRANSCEIVER.
- △ REFERENCE APPLICATION SPEC 114-13217 FOR RECOMMENDED DRILL HOLE DIAMETER AND PLATING THICKNESS.
- △ DATUM AND BASIC DIMENSIONS ESTABLISHED BY CUSTOMERS.
- 6. MINIMUM PC BOARD THICKNESS :
 SINGLES SIDED: 1.45 mm MIN
 DOUBLE SIDED: 2.2 mm MIN
- △ DATUM -A- IS TOP SURFACE OF THE HOST BOARD.
- △ SURFACE TRACES PERMITTED WITHIN THIS AREA EXCEPT WHERE CAGE STANDOFFS, SHOWN IN DETAIL J, CONTACT PC BOARD.
- △ DATE CODE (YYWWD) MARKED APPROXIMATELY AS SHOWN
- △ FIX EMI SPRING BY LASER WELDING.



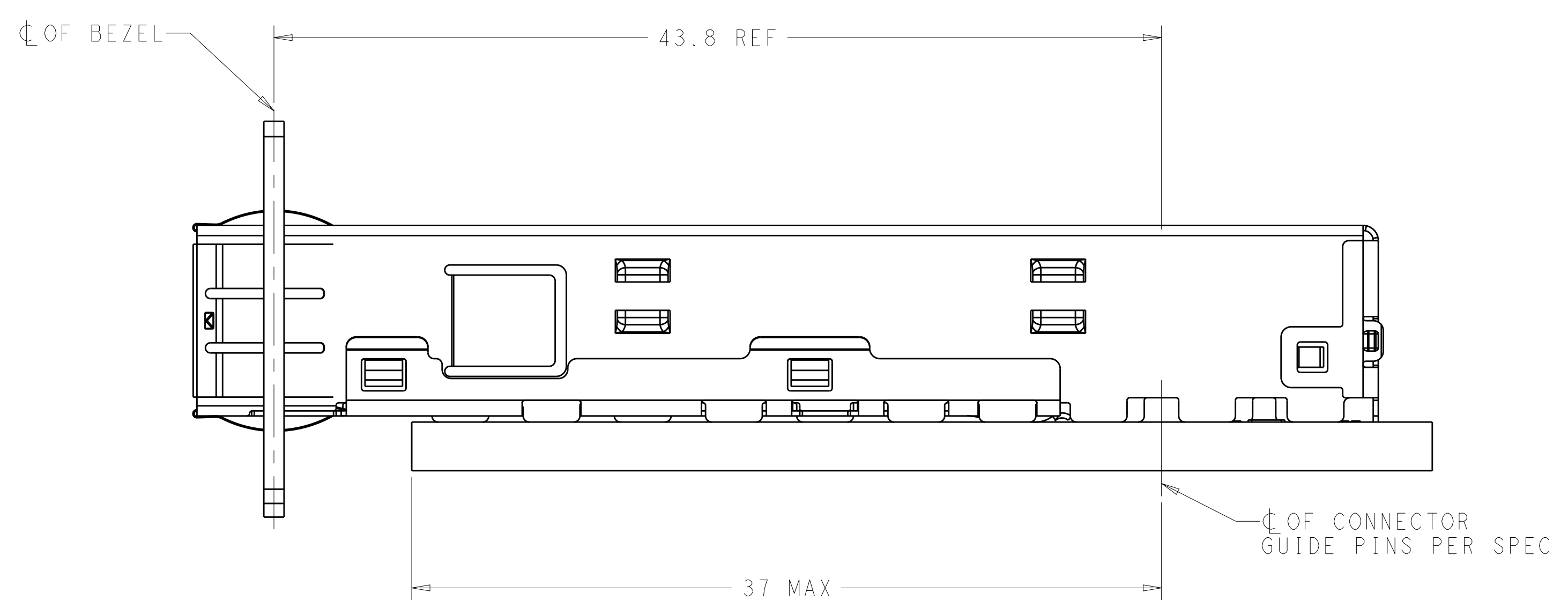
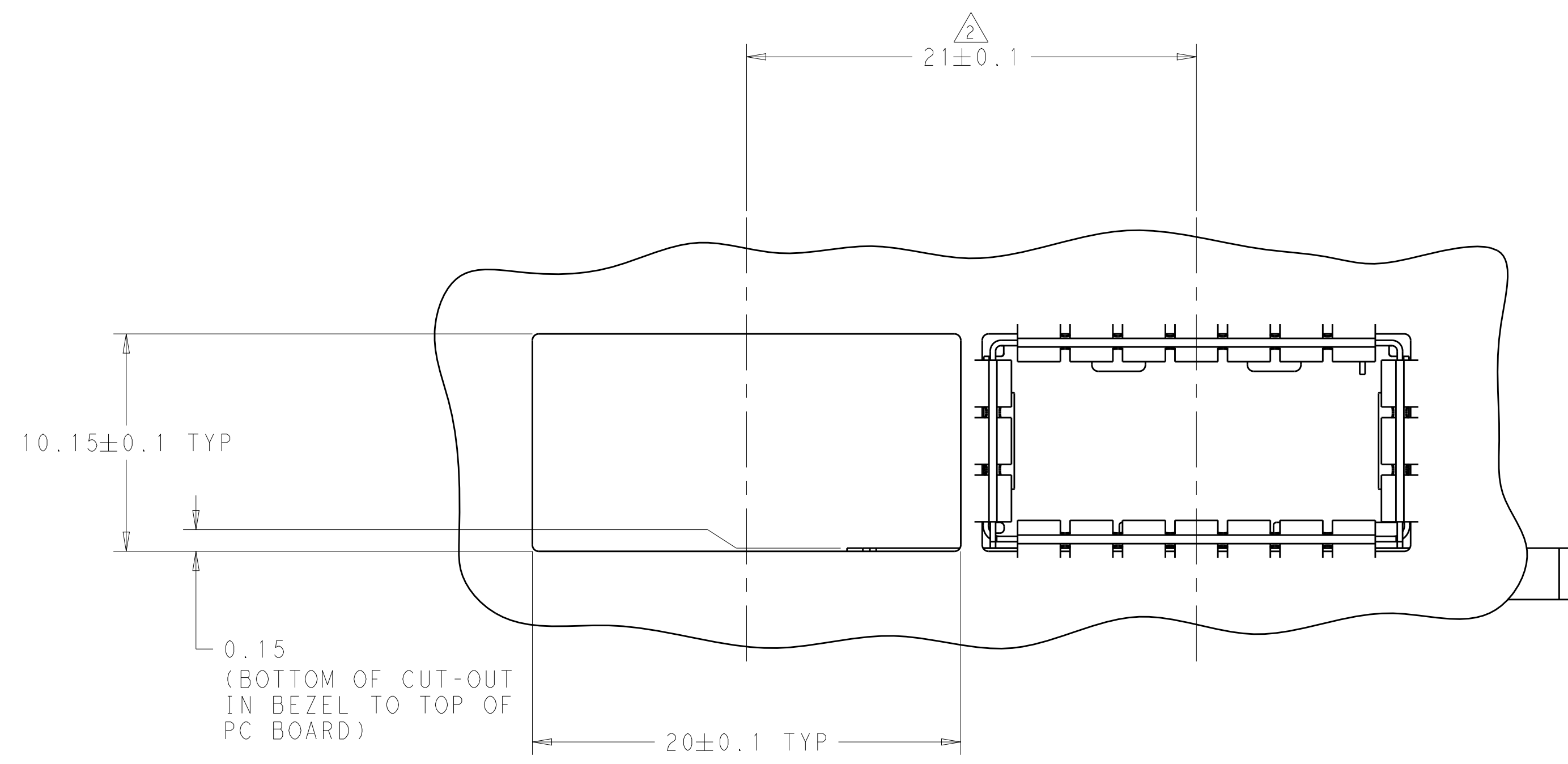
DETAIL A
 SCALE 16:1



2170256-1 PART NUMBER

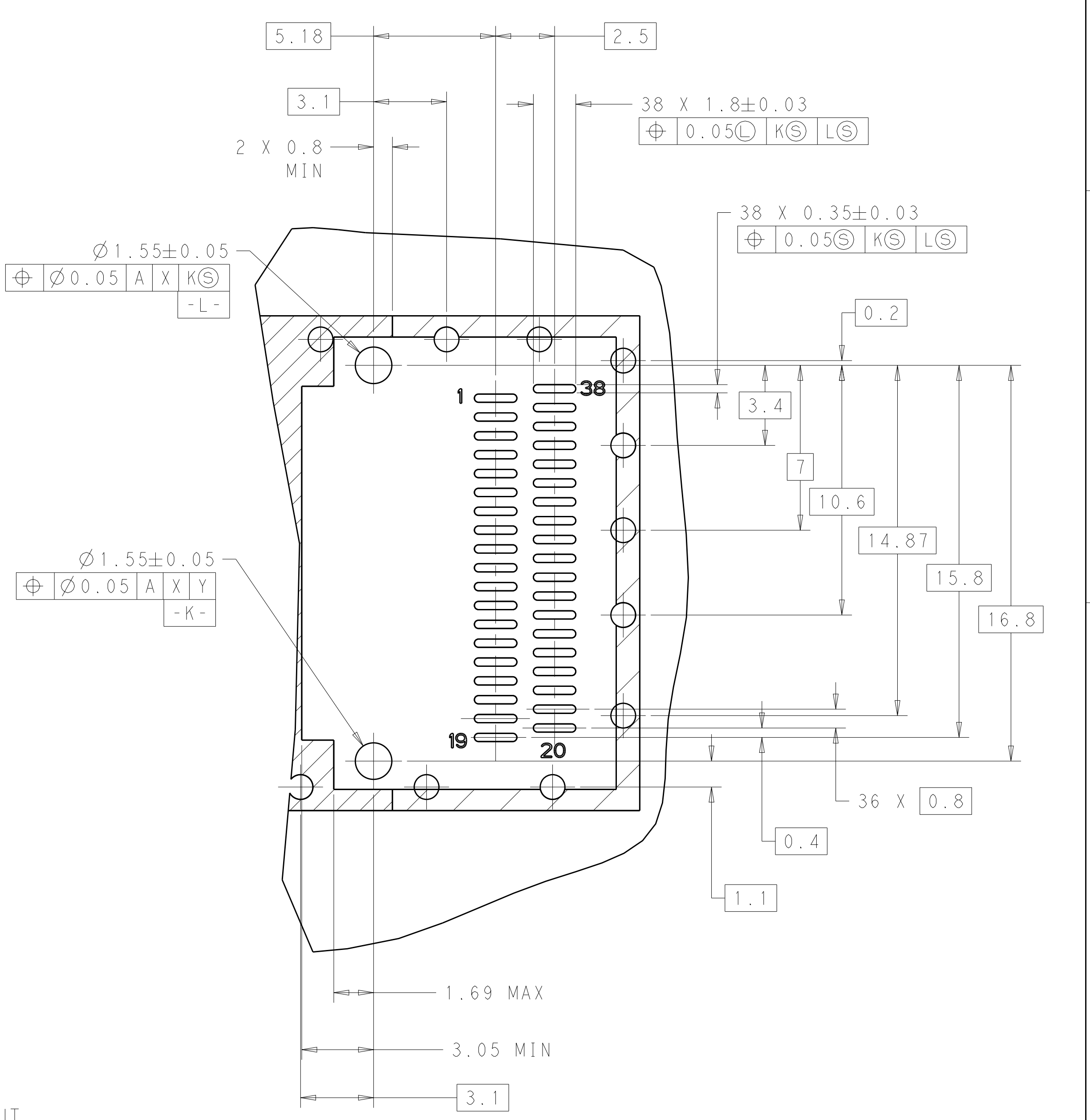
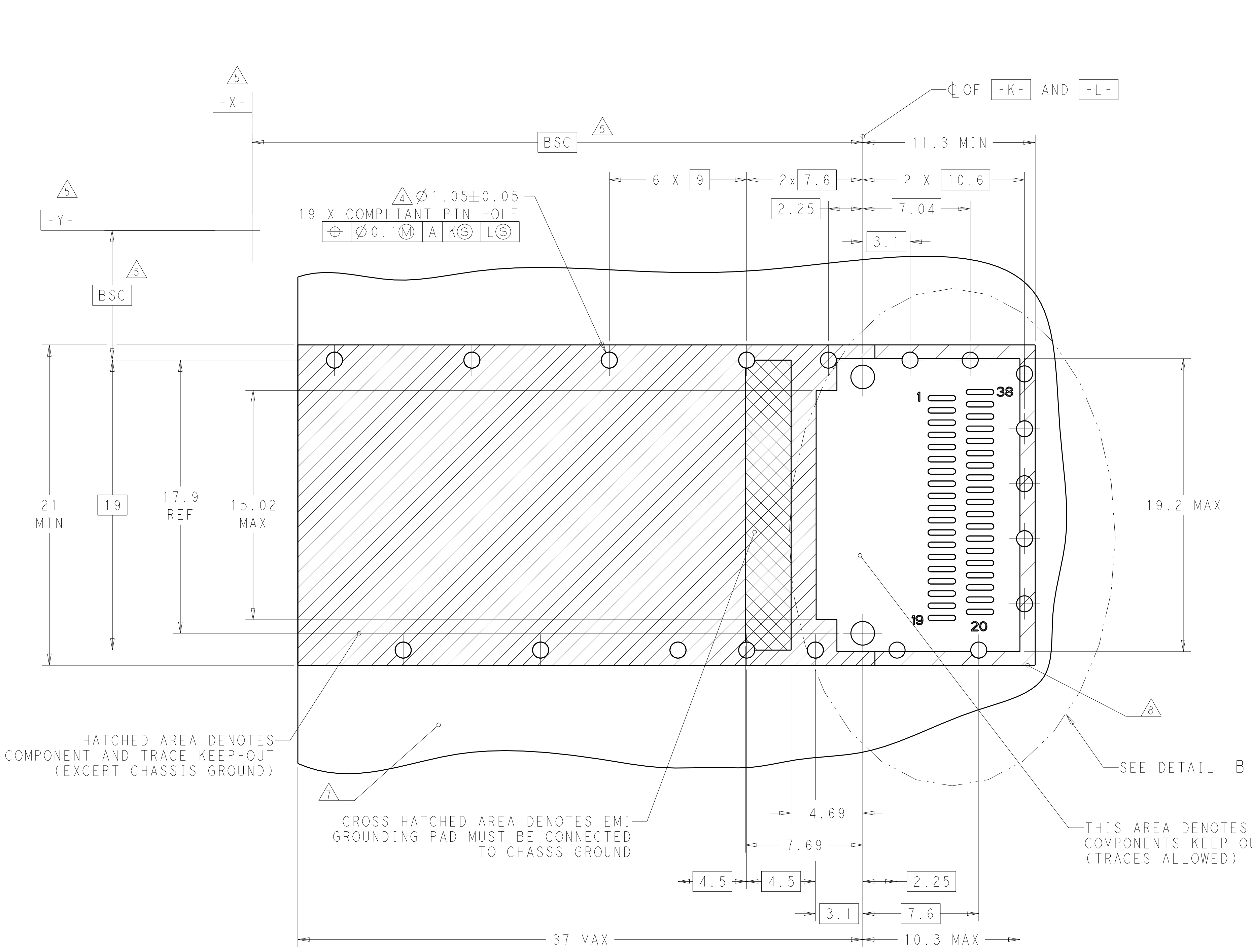
THIS DRAWING IS A CONTROLLED DOCUMENT.		OWN: RINSEN SUN 06FEB2012	TE Connectivity NAME: CAGE ASSEMBLY, THRU BEZEL 1X1 QSFP+	
DIMENSIONS:		CHK: DENNY ZHU 06FEB2012		
mm	TOLERANCES UNLESS OTHERWISE SPECIFIED:	APVD: ALEY CAI 06FEB2012	PRODUCT SPEC	RESTRICTED TO
0 PLC	±0.25	108-2286	APPLICATION SPEC	SIZE: CAGE CODE DRAWING NO
1 PLC	±0.25	114-13217	WEIGHT	A100779C=2170256
2 PLC	±0.10			SCALE 4:1 SHEET 1 OF 3 REV A
3 PLC	±0.013			
4 PLC	±			
ANGLES	±			
MATERIAL	FINISH			
		CUSTOMER DRAWING		

LOC		DIST		REVISIONS			
P	LTN	DESCRIPTION	DATE	DMN	APVD		
-	-	SEE SHEET 1	-	-	-		



THIS DRAWING IS A CONTROLLED DOCUMENT.		DMN KINSEN SUN CHK DENNY ZHU APVD ALEY CAI	06FEB2012 06FEB2012 06FEB2012		NAME CAGE ASSEMBLY THRU BEZEL 1X1 QSFP+
DIMENSIONS:	TOLERANCES UNLESS OTHERWISE SPECIFIED:	PRODUCT SPEC	APPLICATION SPEC		
mm	0 PLC ±0.25 1 PLC ±0.25 2 PLC ±0.10 3 PLC ±0.013 4 PLC ±"	108-2286	114-13217	SIZE	CAGE CODE
	ANGLES	108-2286	114-13217	A100779	C=2170256
MATERIAL	FINISH	WEIGHT	CUSTOMER DRAWING	SCALE	SHEET
-	-	-		2:1	2 OF 3
				REV	A

LOC	DIST	REV	DATE	BY	APPD
-	-	1	SEE SHEET 1	-	-



THIS DRAWING IS A CONTROLLED DOCUMENT.		OWN: RINSEN SUN 06FEB2012	TE Connectivity
DIMENSIONS: mm		CHK: DENNY ZHU 06FEB2012	
TOLERANCES UNLESS OTHERWISE SPECIFIED:		APVD: ALEY CAI 06FEB2012	NAME: CAGE ASSEMBLY THRU BEZEL 1X1 QSFP+
0 PLC ±0.25 1 PLC ±0.25 2 PLC ±0.10 3 PLC ±0.013 4 PLC ± ANGLES ± FINISH ±		PRODUCT SPEC: 108-2286	SIZE: A1
MATERIAL:		APPLICATION SPEC: 114-13217	CAGE CODE: 2170256
		WEIGHT:	RESTRICTED TO: -
		CUSTOMER DRAWING	SCALE: 2:1 SHEET 3 OF 3 REV A