

PLEASE CHECK WWW.MOLEX.COM FOR LATEST PART INFORMATION

Part Number: [0671300802](#)
Status: **Active**
Description: 1.27mm (.050") PC Card Header: Single Slot, Flush Profile, Top Mount, Right Angle, SMT, without Mylar, Tape and Reel Packaging, Lead-free

Documents:

[3D Model](#)
[Drawing \(PDF\)](#)

[RoHS Certificate of Compliance \(PDF\)](#)

General

Product Family	Memory Card Sockets
Series	67130
Button Type	N/A
Comments	Without Mylar, Tape and Reel Packaging
Component Type	Header/Socket (Host)
Product Name	CardBus, PC Card
Type	I, II, III

Physical

Card Detection Switch	N/A
Circuits (Loaded)	68
Durability (mating cycles max)	10,000
Ejector Button Side	No Ejector Button Present
Entry Angle	90° Angle (Side Entry)
Keying to Mating Part	Yes
Material - Plating Mating	Gold
Material - Plating Termination	Tin
PCB Locator	Yes
PCB Mounting Side	Normal
PCB Retention	Yes
Packaging Type	Embossed Tape on Reel
Pitch - Mating Interface (in)	0.050 In
Pitch - Mating Interface (mm)	1.27 mm
Plating min: Mating (µin)	15
Plating min: Mating (µm)	0.38
Plating min: Termination (µin)	100
Plating min: Termination (µm)	2.5
Ports	1
Temperature Range - Operating	-20°C to +85°C
Termination Interface: Style	Surface Mount

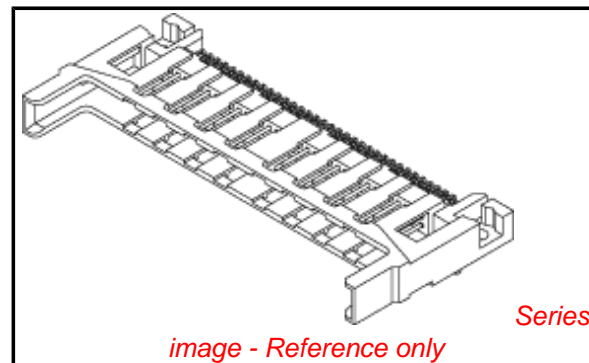
Electrical

Current - Maximum per Contact	0.5A
Voltage - Maximum	100V AC
Voltage Key	3.3V

Material Info

Reference - Drawing Numbers

Sales Drawing	SD-67130-005
---------------	--------------



EU RoHS

**ELV and RoHS
Compliant**

REACH SVHC

Contains SVHC: No

Halogen-Free

Status

Not Reviewed

China RoHS



**Need more information on product
environmental compliance?**

Email productcompliance@molex.com
 For a multiple part number RoHS Certificate of Compliance, [click here](#)

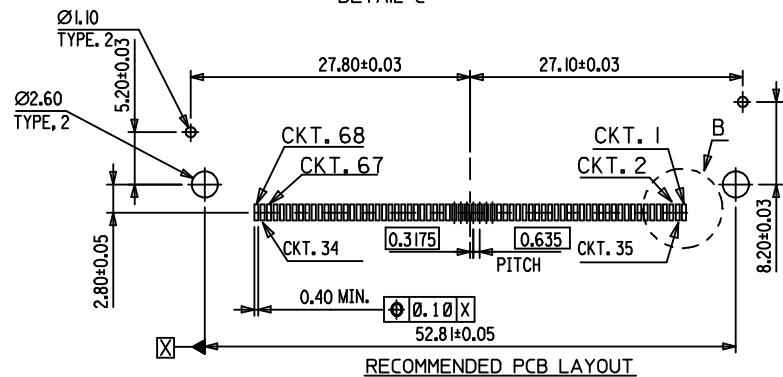
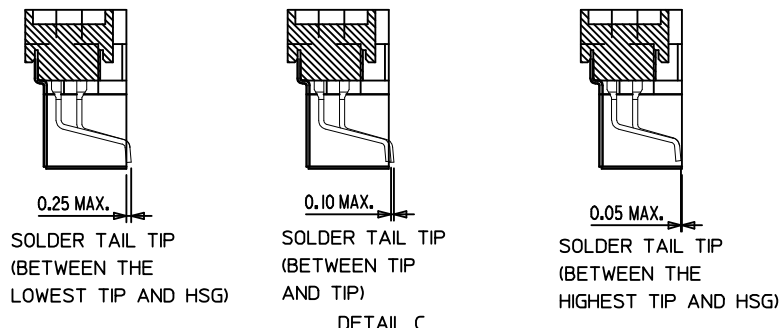
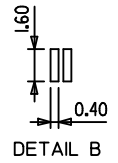
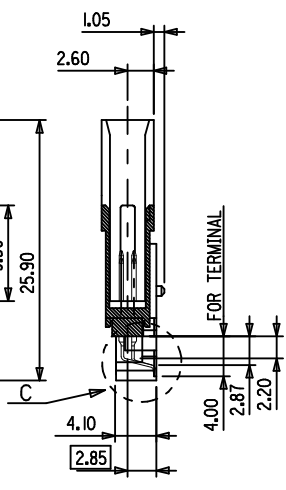
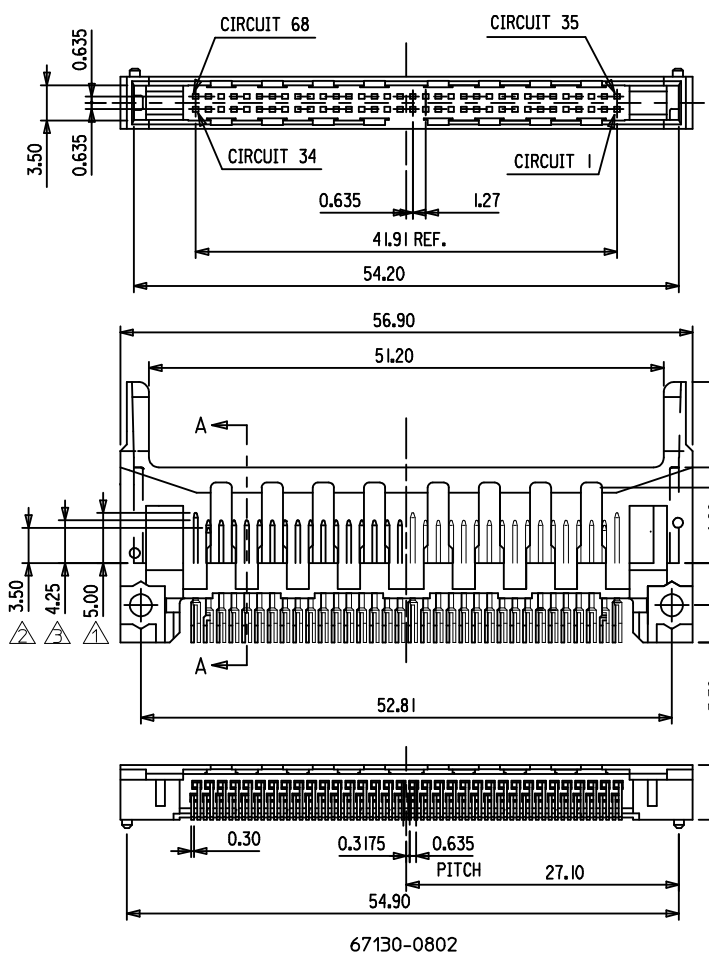
Please visit the [Contact Us](#) section for any non-product compliance questions.

Search Parts in this Series

[67130Series](#)

Use With

[67121](#) Ejector Mechanism



- NOTES:**
- 1. APPLIES TO CIRCUIT NUMBER:1,17,34,35,51,68.
 - 2. APPLIES TO CIRCUIT NUMBER:36,67.
 - 3. APPLIES TO CIRCUIT NUMBER:THE OTHERS.
 - 4. COPLANARITY BETWEEN SOLDER TAILS IS 0.10mm MAX.
 - 5. TRUE POSITION BETWEEN SOLDER TAILS IS 0.15 mm MAX.
 - 6. PRODUCT SPEC : PS-67160-011.
 - 7. FINISH:
SELECTIVE GOLD (Au) IN CONTACT AREA, THICKNESS=0.38 MICROMETER MINIMUM,
SELECTIVE PURE TIN IN SOLDER TAIL AREA, THICKNESS=2.50 MICROMETER MINIMUM,
NICKEL (Ni) OVERALL.
 - 8. THE PACKAGE OF 67130-0802 PER PK-67130-002, 67130-0809 PER PK-67130-001.
 - 9. PRODUCT COMPLIANT TO RoHS DIRECTIVE 2002/95/EC AND ELV 2000/53/EC.

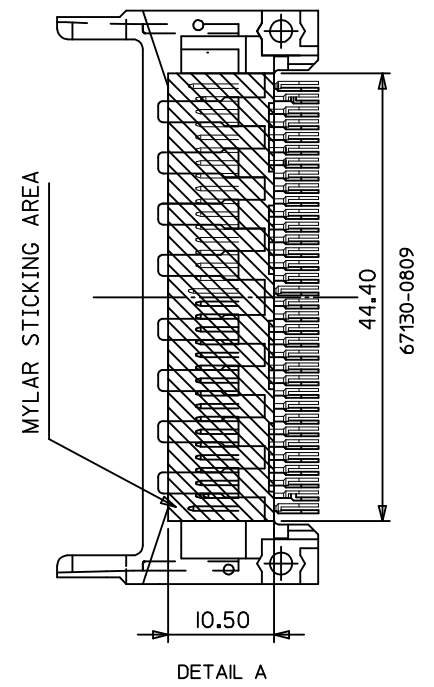
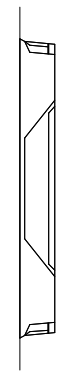
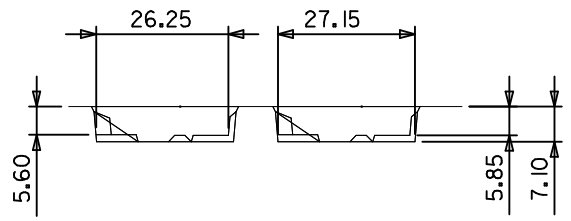
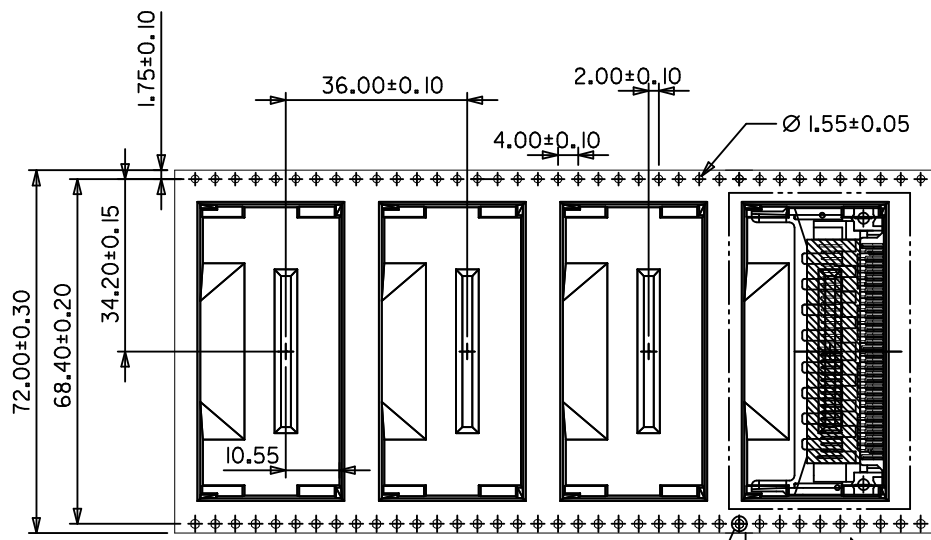
67130-0809	W MYLAR	T&R
67130-0802	W/O MYLAR	TRAY
PART NUMBER	DESCRIPTION	PACKAGE

REVISED	DESCRIPTION
EC NO: SH2009-0192	
DRWN:XQZHANG	2008/09/25
CHKD:XJSONG	2008/09/29
APPR:HWANG	2008/10/27
REV	

QUALITY SYMBOLS	▽=0
	∇=0
GENERAL TOLERANCES (UNLESS SPECIFIED)	mm
	INCH
	4 PLACES ± --- ± ---
	3 PLACES ± --- ± ---
	2 PLACES ± 0.25 ± .010
1 PLACE ± 0.25 ± .010	
ANGULAR ± 3 °	
DRAFT WHERE APPLICABLE MUST REMAIN WITHIN DIMENSIONS	

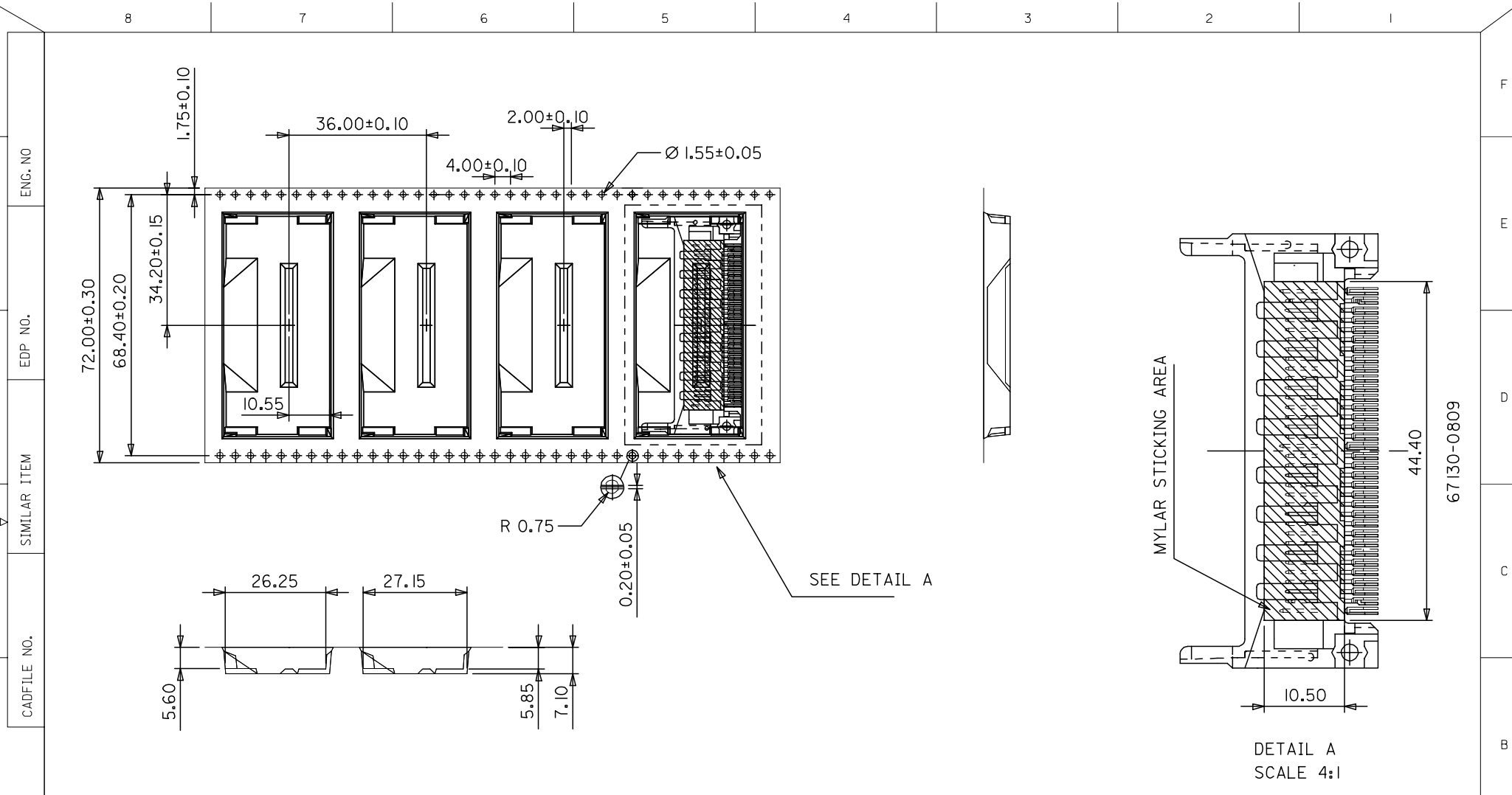
DIMENSION STYLE		SCALE	DESIGN UNITS	THIRD ANGLE PROJECTION
MM ONLY		1:1	METRIC	
DRAWN BY	DATE	TITLE		
JACK	2004/11/13	PC CARD HEADER ASS'Y		
CHECKED BY	DATE	LEAD-FREE FOR 3.3V SMT		
HWANG	2004/11/14	STANDARD TYPE		
APPROVED BY	DATE	MOLEX INCORPORATED		
YTAP	2004/11/14	MATERIAL NO. SEE TABLE		
DOCUMENT NO.		SHEET NO.		
SD-67130-005		1 OF 2		

MATERIAL NO.		DOCUMENT NO.		SHEET NO.
SEE TABLE		SD-67130-005		1 OF 2
THIS DRAWING CONTAINS INFORMATION THAT IS PROPRIETARY TO MOLEX INCORPORATED AND SHOULD NOT BE USED WITHOUT WRITTEN PERMISSION				



SEE DETAIL A

REVISED EC NO: SH2009-0192 DRWN: XZ/HANG 2008/09/25 CHKD: XJ/SONG 2008/09/29 APPR: HW/WANG 2008/10/27	QUALITY SYMBOLS ▽=0 ◻=0	GENERAL TOLERANCES (UNLESS SPECIFIED) <table border="1"> <thead> <tr> <th></th> <th>mm</th> <th>INCH</th> </tr> </thead> <tbody> <tr> <td>4 PLACES</td> <td>± ---</td> <td>± ---</td> </tr> <tr> <td>3 PLACES</td> <td>± ---</td> <td>± ---</td> </tr> <tr> <td>2 PLACES</td> <td>± 0.25</td> <td>± .010</td> </tr> <tr> <td>1 PLACE</td> <td>± 0.25</td> <td>± .010</td> </tr> <tr> <td colspan="3">ANGULAR ± 3 °</td> </tr> </tbody> </table>		mm	INCH	4 PLACES	± ---	± ---	3 PLACES	± ---	± ---	2 PLACES	± 0.25	± .010	1 PLACE	± 0.25	± .010	ANGULAR ± 3 °			DIMENSION STYLE MM ONLY	SCALE 1:1	DESIGN UNITS METRIC	THIRD ANGLE PROJECTION
		mm	INCH																					
	4 PLACES	± ---	± ---																					
	3 PLACES	± ---	± ---																					
2 PLACES	± 0.25	± .010																						
1 PLACE	± 0.25	± .010																						
ANGULAR ± 3 °																								
DESCRIPTION REV	DRAFT WHERE APPLICABLE MUST REMAIN WITHIN DIMENSIONS	DRAWN BY JACK	DATE 2004/11/13	TITLE PC CARD HEADER ASS'Y LEAD-FREE FOR 3.3V SMT STANDARD TYPE																				
		CHECKED BY HW/WANG	DATE 2004/11/14	molex MOLEX INCORPORATED																				
		APPROVED BY YTYAP	DATE 2004/11/14	MATERIAL NO. SEE SHEET 1	DOCUMENT NO. SD-67130-005	SHEET NO. 2 OF 2																		



DO NOT SCALE DRAWING

NEW RELEASE	EC NO. DRWN: JACK ZHANG 2004/11/12 CHK: APPR:	QUALITY SYMBOLS MAJOR = 0 CRITICAL = 0 C = 0	GENERAL TOLERANCES: (UNLESS SPECIFIED)		SCALE 2:1	DESIGN UNITS <input checked="" type="checkbox"/> mm <input type="checkbox"/> INCH	THIRD ANGLE PROJECTION TITLE: PC CARD HEADER ASS'Y FOR 3.3V SMT STANDARD TYPE (LEAD-FREE)	DIMENSIONS: <input type="checkbox"/> mm <input type="checkbox"/> INCH <input checked="" type="checkbox"/> mm ONLY		SHT	REV
			4 PLACES	± .	± .	DRAWN BY & DATE JACK ZHANG 2004/11/12		MATERIAL NO. SEE TABLE		DRAWING NO. SD-67130-005	SHEET NO. 2 / 2
A	REV	DESCRIPTION	ANGULAR: ±3°		CAD FILENAME	APPROVED BY & DATE		MOLEX INCORPORATED		THIS DRAWING CONTAINS INFORMATION THAT IS PROPRIETARY TO MOLEX INCORPORATED AND SHOULD NOT BE USED WITHOUT WRITTEN PERMISSION.	
DRAFT WHERE APPLICABLE MUST REMAIN WITHIN DIMENSIONS									SIZE A3		

67130-0809