

**PLEASE CHECK WWW.MOLEX.COM FOR LATEST PART INFORMATION**

**Part Number:** [0340620032](#)  
**Status:** **Active**  
**Overview:** [mx150 sealed connector system](#)  
**Description:** 5.00mm (.197") Pitch MX150™ Sealed Female Receptacle, Single Row, 2 Circuits, Keying Option B, with Clip Slot, Gray

**Documents:**

<a href="#">3D Model</a>	<a href="#">Product Specification PS-34062-000 (PDF)</a>
<a href="#">Application Specification (PDF)</a>	<a href="#">RoHS Certificate of Compliance (PDF)</a>
<a href="#">Drawing (PDF)</a>	

**General**

Product Family	Crimp Housings
Series	<a href="#">34062</a>
Comments	No Connector Position Assurance (CPA)
More Detailed Tech Information	<a href="http://ewcap.uscarteams.org">http://ewcap.uscarteams.org</a>
Overview	<a href="#">mx150 sealed connector system</a>
Product Name	MX150™

**Physical**

Circuits (maximum)	2
Circuits Detail	2
Color - Resin	Gray
Gender	Female
Glow-Wire Compliant	No
Keying to Mating Part	Yes
Lock to Mating Part	Yes
Material - Resin	Nylon
Number of Rows	2
Packaging Type	Bag
Panel Mount	No
Pitch - Mating Interface (in)	0.197 In
Pitch - Mating Interface (mm)	5.00 mm
Pitch - Term. Interface (in)	0.197 In
Pitch - Term. Interface (mm)	5.00 mm
Polarized to Mating Part	Yes
Stackable	No
Temperature Range - Operating	-40°C to +125°C

**Electrical**

Current - Maximum per Contact	22A
-------------------------------	-----

**Material Info**

**Reference - Drawing Numbers**

Application Specification	AS-34062-000
Packaging Specification	PK-30907-879
Product Specification	PS-34062-000
Sales Drawing	SD-34062-002



**EU RoHS**

**ELV and RoHS Compliant**  
**REACH SVHC**  
 Not Reviewed  
**Halogen-Free Status**  
 Not Reviewed

**China RoHS**



**Need more information on product environmental compliance?**

Email [productcompliance@molex.com](mailto:productcompliance@molex.com)  
 For a multiple part number RoHS Certificate of Compliance, [click here](#)

Please visit the [Contact Us](#) section for any non-product compliance questions.

**Search Parts in this Series**

[34062Series](#)

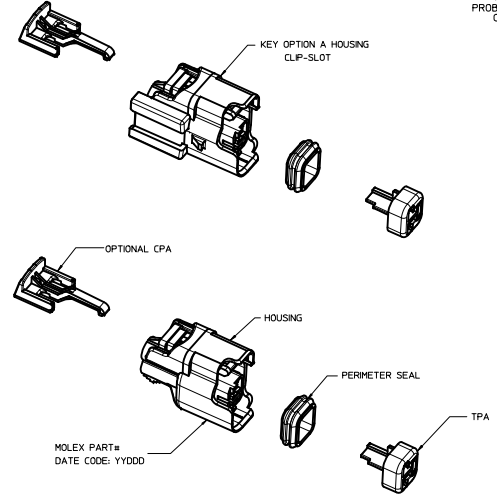
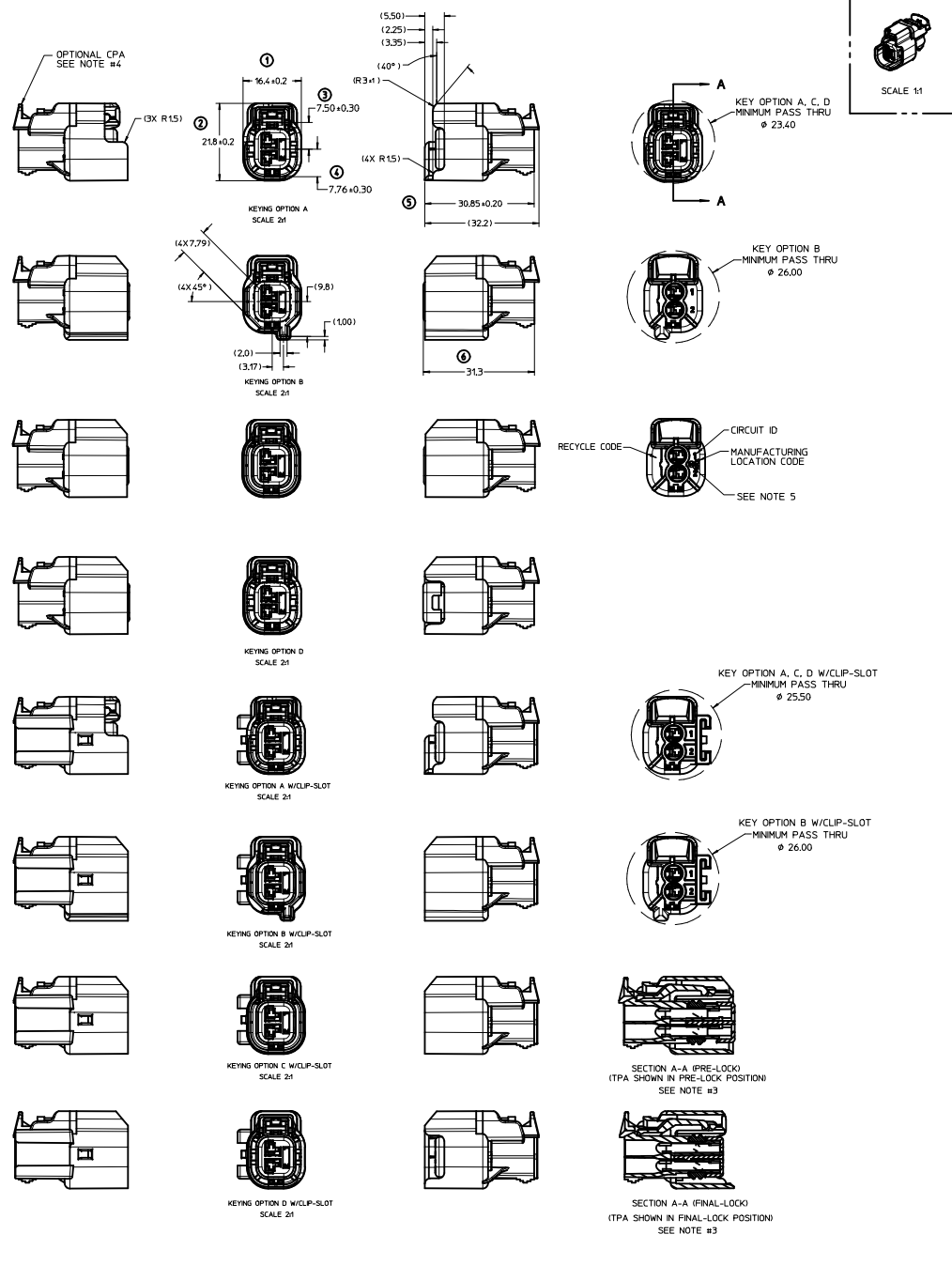
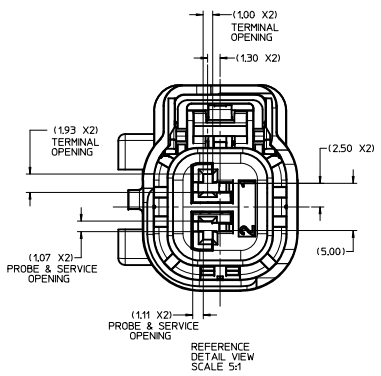
**Mates With**

[34675 MX150™ Cable-Sealed Male Connector](#)

**Use With**

[34083 Female Terminal](#)

ASSEMBLY PART NUMBER	COLOR	KEYING OPTION	CPA	CLIP-SLOT
34062-0021	BLACK	A	NO	NO
34062-0022	LT. GRAY	B	NO	NO
34062-0023	BLACK	C	NO	NO
34062-0024	BLACK	D	NO	NO
34062-0029	LT. GRAY	D	NO	NO
34062-0025	BLACK	A	YES	NO
34062-0026	LT. GRAY	B	YES	NO
34062-0027	BLACK	C	YES	NO
34062-0028	BLACK	D	YES	NO
34062-0030	LT. GRAY	D	YES	NO
34062-0031	BLACK	A	NO	YES
34062-0032	LT. GRAY	B	NO	YES
34062-0033	BLACK	C	NO	YES
34062-0034	BLACK	D	NO	YES
34062-0035	LT. GRAY	D	NO	YES
34062-0036	BLACK	A	YES	YES
34062-0037	LT. GRAY	B	YES	YES
34062-0038	BLACK	C	YES	YES
34062-0039	BLACK	D	YES	YES
34062-0040	LT. GRAY	D	YES	YES



NOTES: UNLESS OTHERWISE SPECIFIED  
 1. ASSEMBLY CONFORMS TO:  
 SAE/USCAR-12, REV 2;  
 SAE/USCAR-2 REV 4;  
 a) EXCEPT TPA REMOVAL FROM FINAL LOCK - SECOND CYCLE SHALL NOT BE LESS THAN 12 NEWTONS.  
 SAE/USCAR-20 DEC 2001  
 b) POLARIZATION FEATURE EFFECTIVENESS: CONFORMS TO USCAR-2 REV 5  
 2. DESIGNED TO MATE WITH DEVICE CONNECTION AS SPECIFIED IN EWCAP DRAWING 150-S-002-1-Z01 REV A (9-18-2003).  
 3. ASSEMBLY SHIPPED WITH TPA IN PRE-LOCK POSITION (SEE SECTION A-A PRE-LOCK). UPON FULL TERMINAL ASSEMBLY, EACH TPA MUST BE SNAPPED INTO ITS FINAL-LOCK POSITION (SEE SECTION A-A FINAL-LOCK)  
 4. OPTIONAL CPA IN PRE-LOCK POSITION SHOWN IN ALL VIEWS.  
 5. KEYING OPTION AND ASSEMBLY MACHINE IDENTIFIER.  
 6. RECYCLE CODES FOR COMPONENTS  
 PERIMETER SEAL: SILICON 30 DUROMETER  
 HOUSING: DSM AKULON K-FHG6  
 TPA/CPA: PBT-GF30  
 7. SYSTEM TESTED USING ESB-M1123-A WIRE.  
 8. DISCOLORATION AT THE HOLDING KNOT LINES DOES NOT AFFECT PRODUCT PERFORMANCE.

QTY	DESCRIPTION	TERMINAL	CABLE SEAL	COLOR					
22	0.50	34083-2003	RIGHT	TIN	22	E-1644-01	-	1.19-1.65	
22	0.50	34083-3003	LEFT	TIN	22	E-1644-01	-	1.19-1.65	PINK
22	0.50	34081-2005	RIGHT	GOLD	22	E-1644-01	-	1.19-1.65	
22	0.50	34081-3005	LEFT	GOLD	22	E-1644-01	-	1.19-1.65	
20	0.75	34083-2002	RIGHT	TIN	18/20	E-1644-00	-	1.60-2.10	
20	0.75	34083-3002	LEFT	TIN	18/20	E-1644-00	-	1.60-2.10	GREEN
20	0.75	34081-2004	RIGHT	GOLD	18/20	E-1644-00	-	1.60-2.10	
20	0.75	34081-3004	LEFT	GOLD	18/20	E-1644-00	-	1.60-2.10	
18	1.0	34083-3002	RIGHT	TIN	18/20	E-1644-00	-	1.60-2.10	
18	1.0	34083-3002	LEFT	TIN	18/20	E-1644-00	-	1.60-2.10	GREEN
18	1.0	34081-2004	RIGHT	GOLD	18/20	E-1644-00	-	1.60-2.10	
18	1.0	34081-3004	LEFT	GOLD	18/20	E-1644-00	-	1.60-2.10	
16	1.5	34083-3001	RIGHT	TIN	14/16	E-1644-02	-	2.10-2.50	
16	1.5	34083-3001	LEFT	TIN	14/16	E-1644-02	-	2.10-2.50	YELLOW
16	1.5	34081-2003	RIGHT	GOLD	14/16	E-1644-02	-	2.10-2.50	
16	1.5	34081-3003	LEFT	GOLD	14/16	E-1644-02	-	2.10-2.50	
14	1.5	34083-2001	RIGHT	TIN	14/16	-	7158-3033-40	2.54-2.69	
14	1.5	34083-3001	LEFT	TIN	14/16	-	7158-3033-40	2.54-2.69	GRAY
14	1.5	34081-2003	RIGHT	GOLD	14/16	-	7158-3033-40	2.54-2.69	
14	1.5	34081-3003	LEFT	GOLD	14/16	-	7158-3033-40	2.54-2.69	
AWG	METRIC	MOLEX	PAYOFF	PLATING	GRIP	OSR P/N	YAZAKI P/N	WIRE OD RANGE	COLOR
WIRE SIZE	PART NUMBER	DIRECTION							

INSPECTION NUMBER LOG  
 LAST NUMBER USED: 6  
 ADDED: 6  
 REMOVED:

<b>ENTER DESCRIPTION</b> EC NO: UAU0009-0706 IT: DRAWN BY THIS 2007/03/16 APPROVED BY THIS 2007/04/18 APPROX: WSHY	<b>QUALITY SYMBOLS</b> ▽=0 ▽=0	<b>GENERAL TOLERANCES (UNLESS SPECIFIED)</b> mm ± --- INCH ± --- ANGULAR ± 3°	<b>DIMENSION STYLE</b> MM ONLY	<b>SCALE</b> 2:1	<b>DESIGN UNITS</b> METRIC	<b>THIRD ANGLE PROJECTION</b>	
	<b>DRAWN BY</b> DHZHANG	<b>DATE</b> 2007/03/16	<b>CHECKED BY</b> DGRIFITHS	<b>DATE</b> 2007/04/18	<b>APPROVED BY</b> SMARCEAU	<b>DATE</b> 2007/04/18	<b>TITLE</b> CONNECTOR ASSEMBLY 2-WAY FUEL 15MM FEMALE FUEL INJECTOR CONNECTOR
	<b>MATERIAL NO.</b> SEE CHART	<b>DOCUMENT NO.</b> SD-34062-002	<b>SIZE</b> E	<b>THIS DRAWING CONTAINS INFORMATION THAT IS PROPRIETARY TO MOLEX INCORPORATED AND SHOULD NOT BE USED WITHOUT WRITTEN PERMISSION</b>	<b>SHEET NO.</b> 1 OF 1		
	<b>MOLEX INCORPORATED</b>						