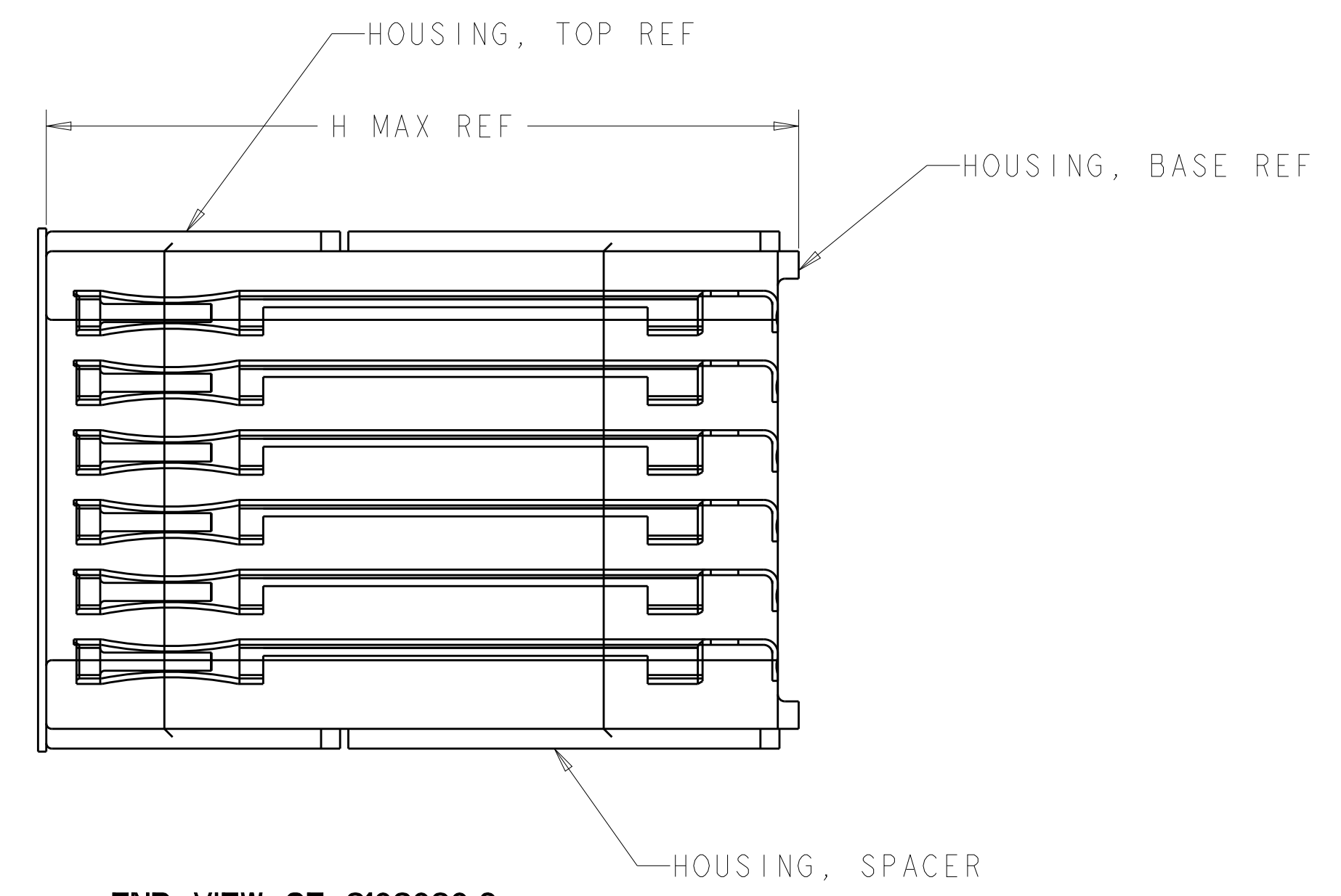
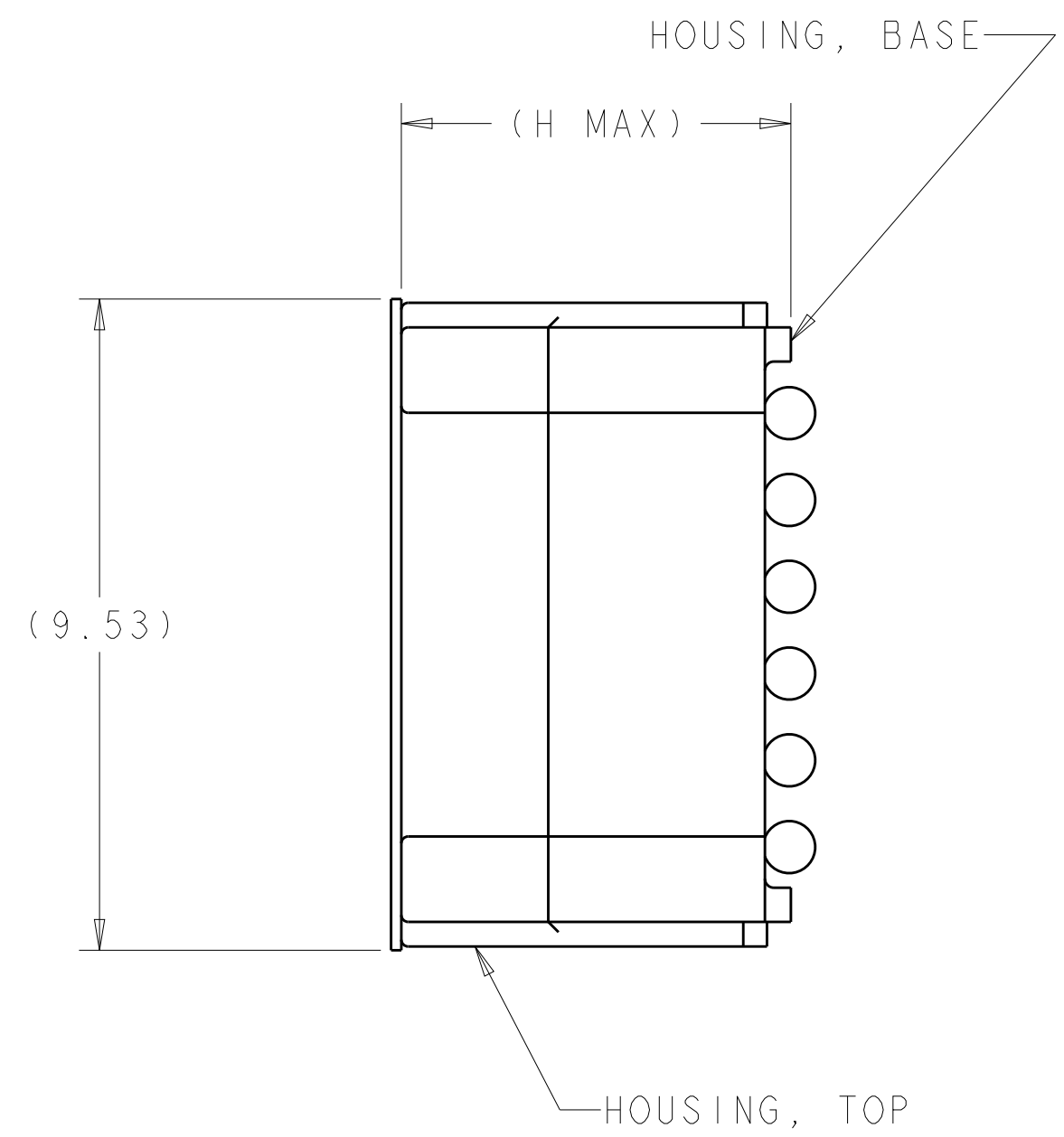
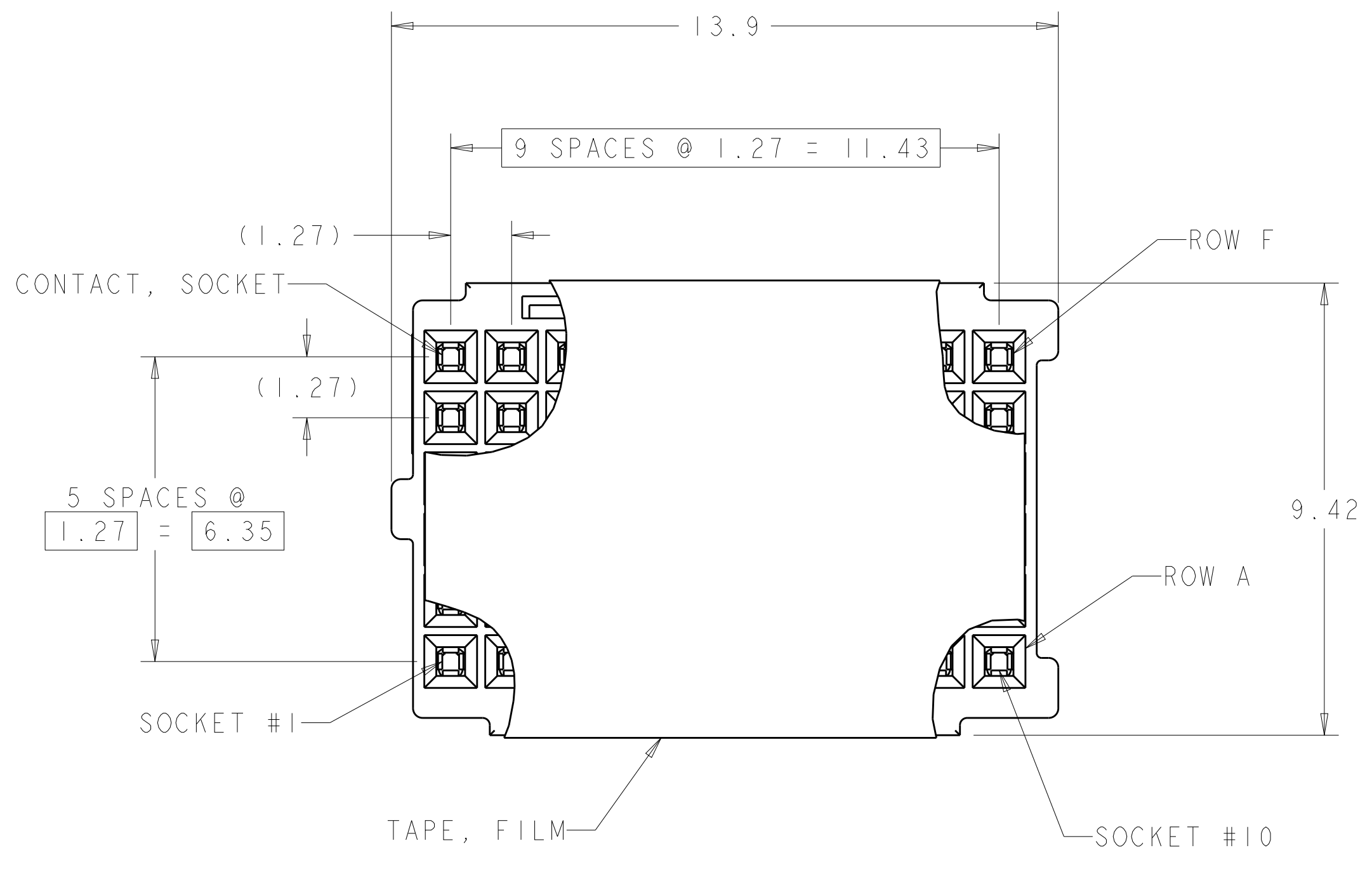
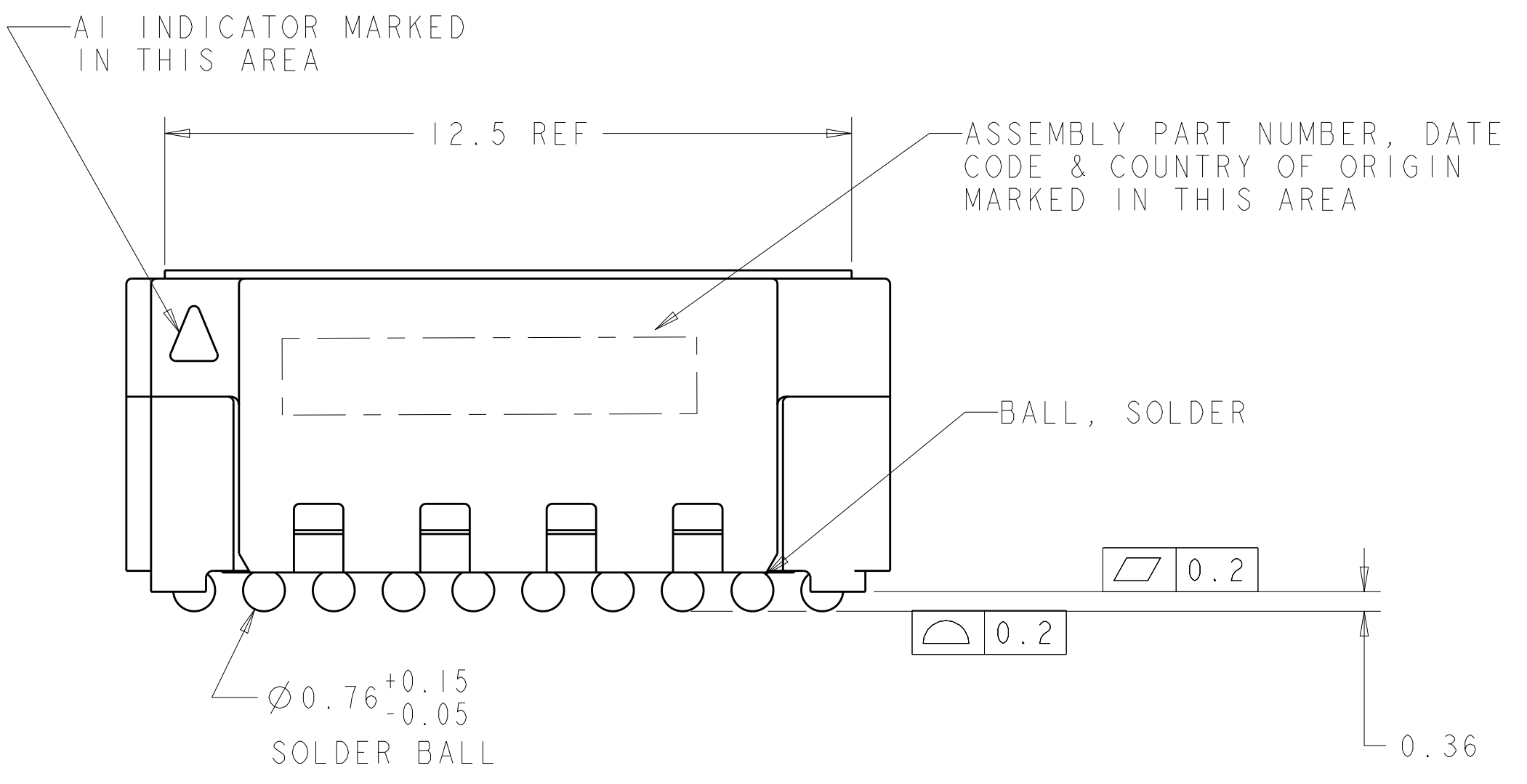
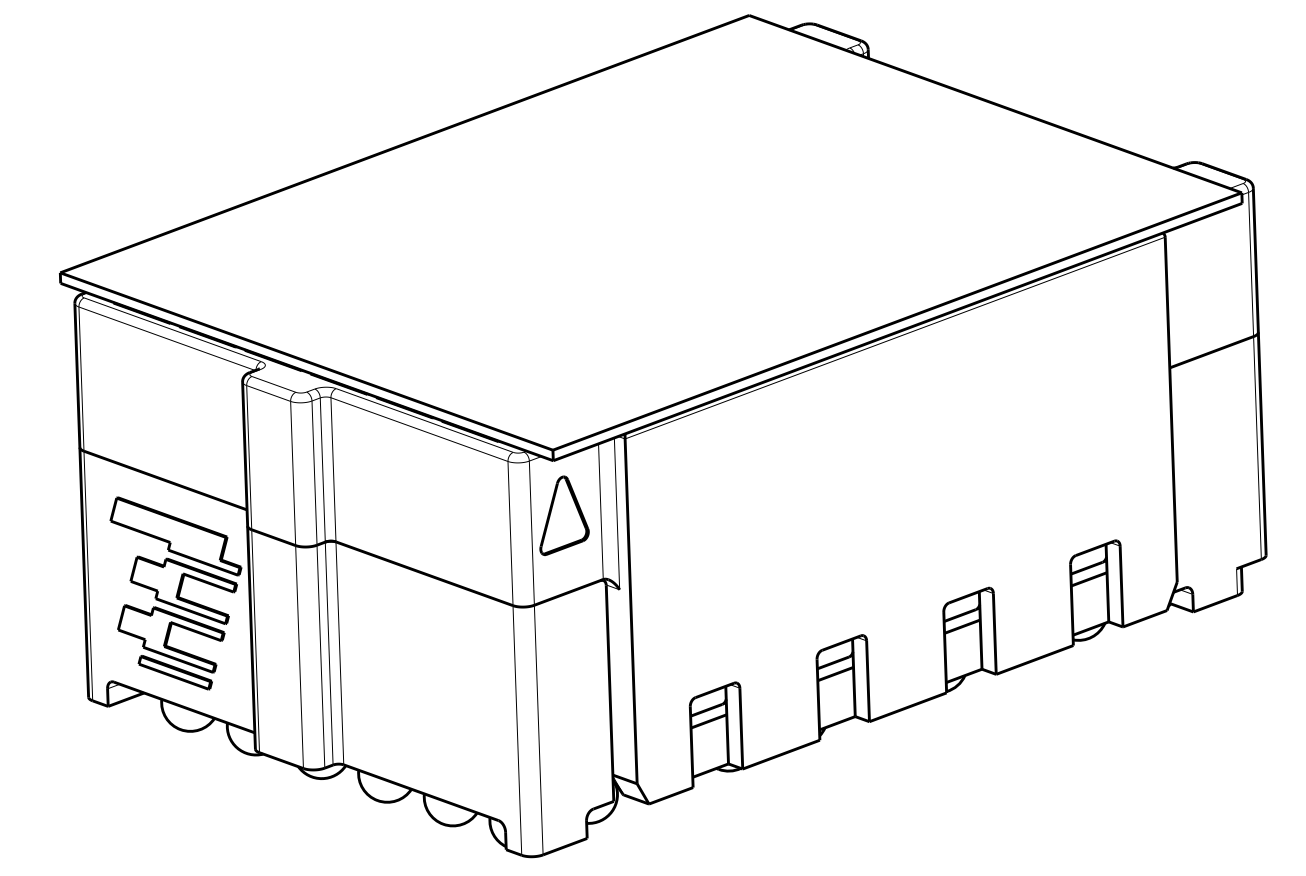


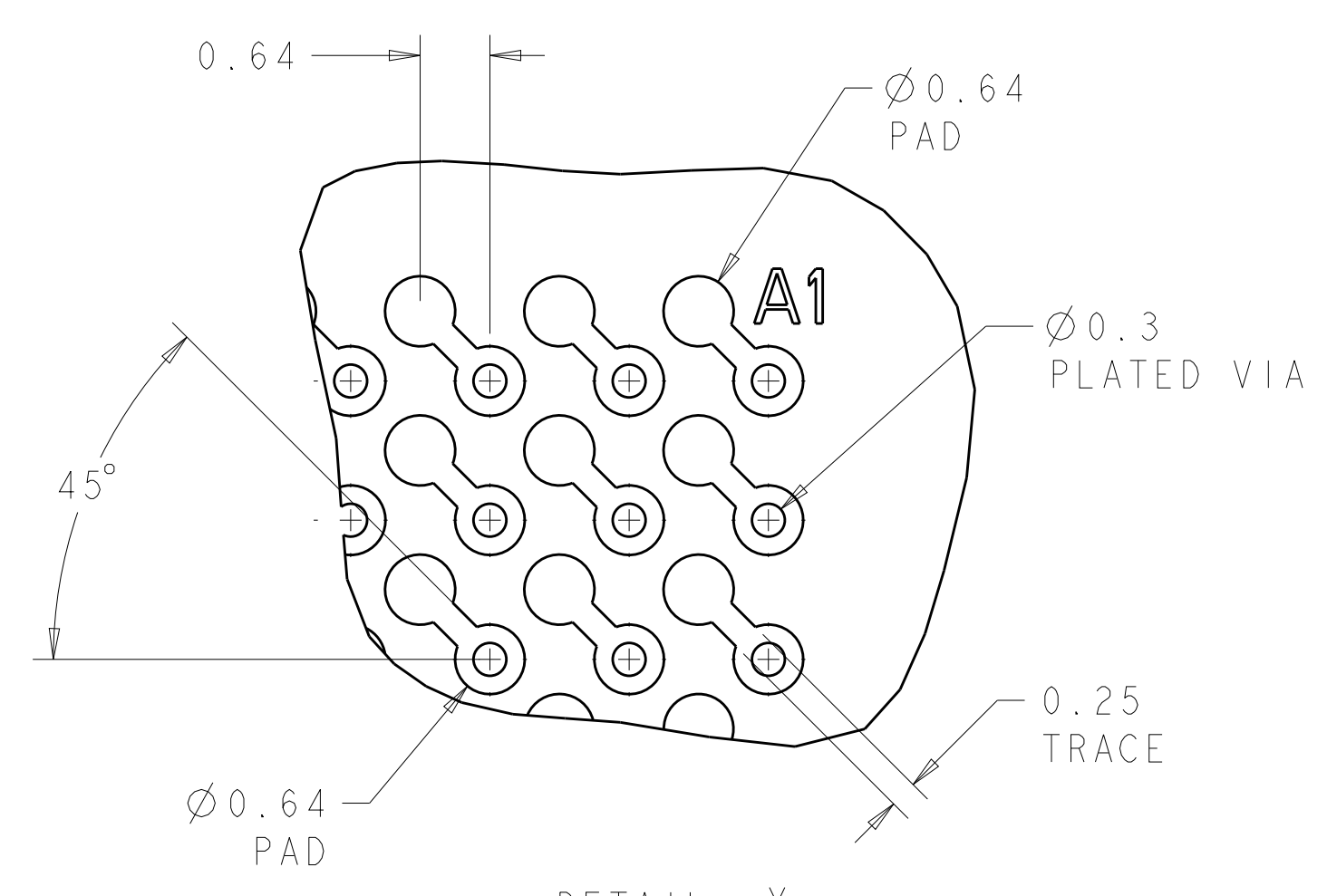
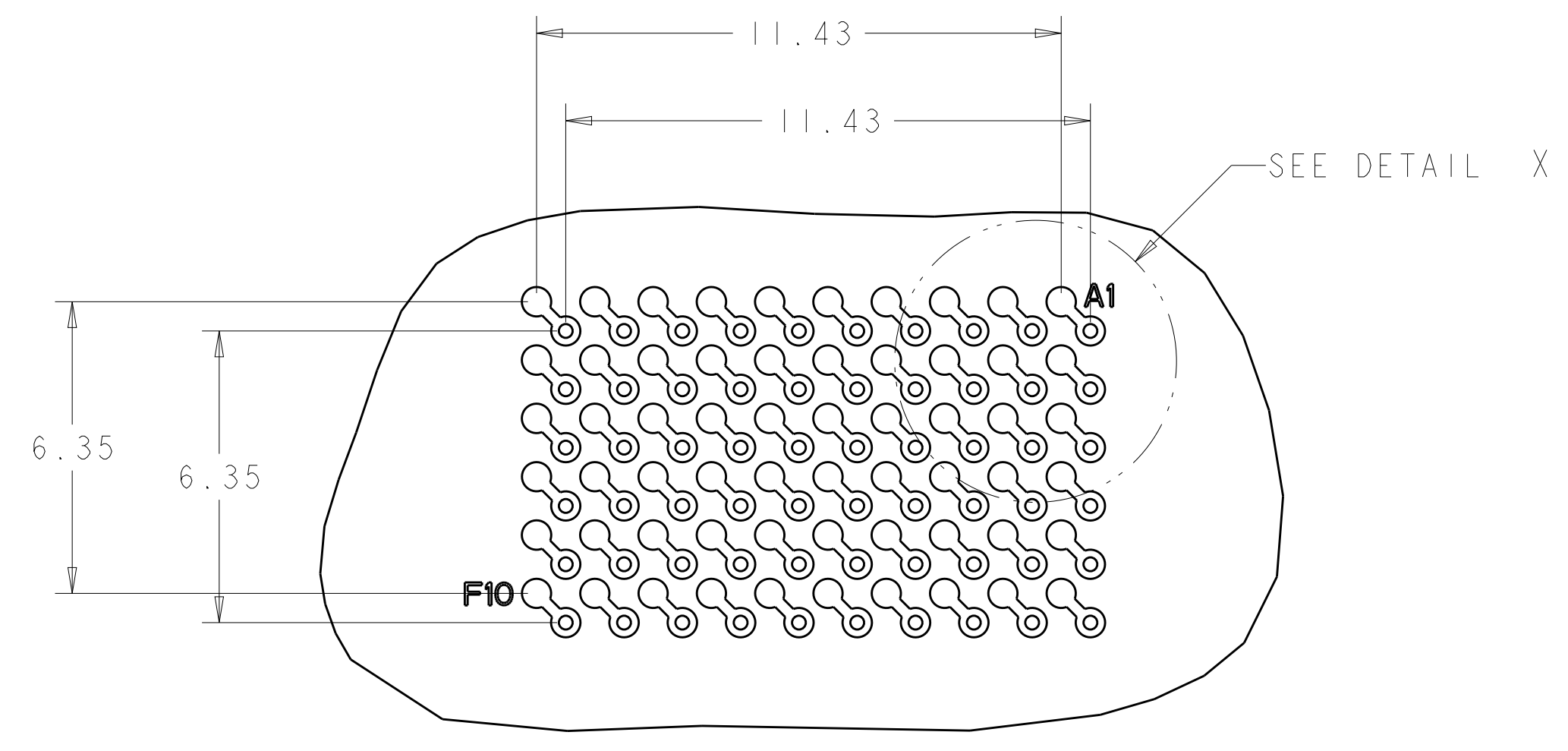
LOC		DIST		REVISIONS			
P	LTN	DESCRIPTION	DATE	DWN	APVD	CT	DH
C		REVISED PER ECO 12-021576	12-18-12	CT	DH		



END VIEW OF 2102080-9 THRU 1-2102080-2



△ MATERIAL: HOUSINGS; LCP, COLOR-NATURAL CONTACT; BERYLLIUM COPPER SOLDER BALL; SEE TABLE TAPE, FILM; KAPTON WITH SILICON ADHESIVE
 △ FINISH: CONTACT; GOLD (SEE TABLE) ON MATING AREA OVER NICKEL ON ENTIRE CONTACT.



MATING PART NUMBER	MATED STACK HEIGHT (mm)	GOLD PLATING THICKNESS	H MAX REF	SOLDER BALL MATERIAL	PART NUMBER
2102079-4	12	0.76 μ m	8	LEAD FREE PER SAC405	2102080-8
2102079-3	12	0.76 μ m	8	TIN LEAD	2102080-7
2102079-4	10	0.76 μ m	6	LEAD FREE PER SAC405	2102080-6
2102079-3	10	0.76 μ m	6	TIN LEAD	2102080-5
2102079-2	12	1.27 μ m	8	LEAD FREE PER SAC405	2102080-4
2102079-1	12	1.27 μ m	8	TIN LEAD	2102080-3
2102079-2	10	1.27 μ m	6	LEAD FREE PER SAC405	2102080-2
2102079-1	10	1.27 μ m	6	TIN LEAD	2102080-1

PCB LAYOUT (CONNECTOR SIDE) SCALE 8:1

DETAIL X SCALE 16:1

THIS DRAWING IS A CONTROLLED DOCUMENT.

DIMENSIONS:	TOLERANCES UNLESS OTHERWISE SPECIFIED:	DWN: G. DOWNEY 23JUL2009	CHK: K. DOWHOWER 23JUL2009	APVD: K. DOWHOWER 23JUL2009
mm	0 PLC ± 1 PLC ±0.13 3 PLC ± 4 PLC ±	NAME: ASSEMBLY, SOCKET, 60 POSITION, MEZALOK STACKING CONNECTOR	PRODUCT SPEC: 108-2411	APPLICATION SPEC: 114-13279
MATERIAL:	FINISH:	SIZE: A1	CAGE CODE: 00779	DRAWING NO: C=2102080
		SCALE: 10:1	SHEET: 1	REV: C

STE TE Connectivity