

Switchmode Driver for 3- ϕ Brushless DC Motors

FEATURES

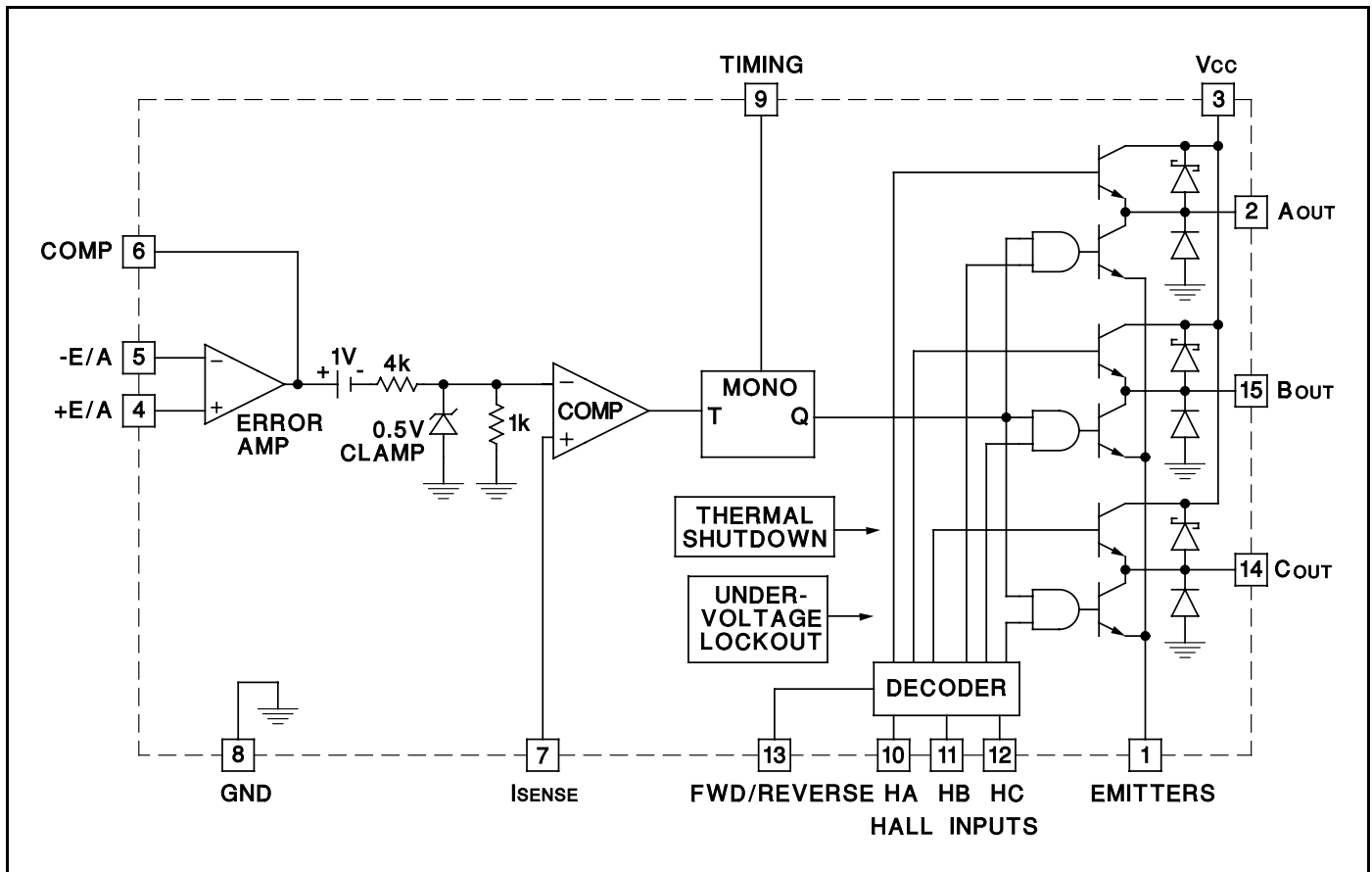
- 2A Continuous, 3A Peak Output Current
- 8V to 40V Operation
- Internal High Gain Amplifier for Velocity Control Applications
- TTL Compatible Hall Inputs
- Mask Programmable Decode Logic
- Pulse-by-Pulse Current Limiting
- Internal Thermal Shutdown Protection
- Under-Voltage Lockout
- Available in SP Hermetic Package

DESCRIPTION

The UC3620 is a brushless DC motor driver capable of decoding and driving all 3 windings of a 3-phase brushless DC motor. In addition, an on-board current comparator, oscillator, and high gain Op-Amp provide all necessary circuitry for implementing a high performance, chopped mode servo amplifier. Full protection, including thermal shutdown, pulse-by-pulse current limiting, and under-voltage lockout aid in the simple implementation of reliable designs. Both conducted and radiated EMI have been greatly reduced by limiting the output dv/dt to 150V/ μ s for any load condition.

The UC1620SP is characterized for operation over the full military temperature range of -55°C to +125°C, while the UC3620SP is characterized for 0°C to +70°C.

BLOCK DIAGRAM



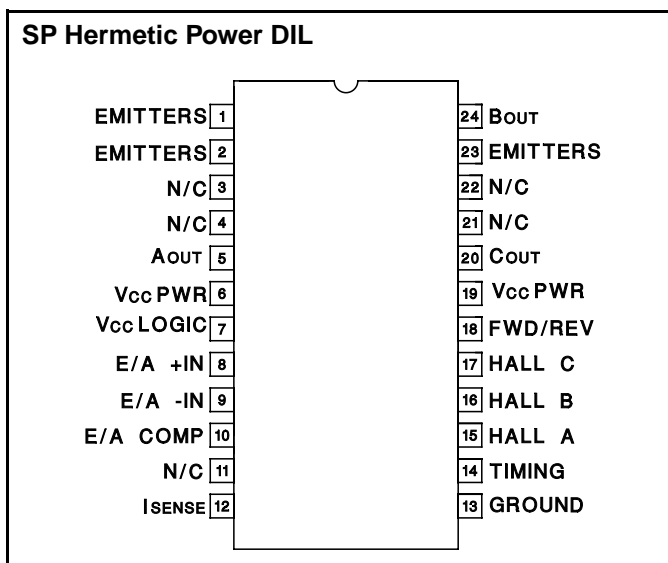
ABSOLUTE MAXIMUM RATINGS (Note 1)

Supply Voltage, V_{CC} 40V
 Output Current, Source or Sink
 Non-Repetitive (t = 100μsec), I_O 3A
 Repetitive (80% on - 20% off; t_{ON} = 10ms) 2.5A
 DC Operation 2A
 Analog Inputs -0.3 to +V_{CC}
 Logic Inputs -0.3 to +V_{CC}
 Total Power Dissipation (at T_{CASE} = 75° C)
 for SP Package (Note 2) 15W
 Storage Temperature -65°C to +150°C
 Operating Junction Temperature -55°C to +150°C

Note 1: All voltages are with respect to ground. Currents are positive into, negative out of the specified terminal.

Note 2: Consult Packaging Section of Databook for thermal limitations and considerations of package.

CONNECTION DIAGRAMS



ELECTRICAL CHARACTERISTICS: Unless otherwise stated, these specifications apply for T_A = 0°C to 70°C for 3620; T_A = 55°C to +125°C for UC1620; V_{CC} = 20V, R_T = 20V, R_T = 10k, C_T = -2.2nF. T_A=T_J.

PARAMETER	TEST CONDITIONS	UC3620			UC1620			UNIT
		MIN	TYP	MAX	MIN	TYP	MAX	
Error Amplifier Section								
Input Offset Voltage			1.5	10		1.5	10	mV
Input Bias Current			-.25	-2.0		-.25	-2.0	μA
Input Offset Current			15	250		15	250	nA
Common Mode Range	V _{CC} = 8V to 40V	0		V _{IN} -2	0		V _{IN} -2	V
Open Loop Gain	ΔV _{COMP} = 1V to 4V	80	100		75	100		dB
Unity Gain Bandwidth	T _J = 25°C, Note 2		0.8			0.8		MHz
Output Sink Current	V _{COMP} = 1V		2			2		mA
Output Source Current	V _{COMP} = 4V		8			8		mA
Current Sense Section								
Input Bias Current			-2.0	-5		-2.0	-5	μA
Internal Clamp		.425	0.5	.575	.405	0.5	.595	V
Divider Gain		.180	0.2	.220	.170	0.2	.230	V/V
Internal Offset Voltage		.8	1.0	1.2	.75	1.0	1.25	V
Timing Section								
Output Off Time		18	20	22	17	20	23	μs
Upper Mono Threshold			5.0			5.0		V
Lower Mono Threshold			2.0			2.0		V
Decoder Section								
High-Level Input Voltage		2.2			2.5			V
Low-Level Input Voltage				0.8			0.8	V
High-Level Input Current				10			10	μA
Low-Level Input Current		-10			-10			μA
Output Section								
Output Leakage Current	V _{CC} = 40V			500			1500	μA
VF1 Schottky Diode	I _O = 2A		1.5	2.0		1.5	2.0	V
VF1 Substrate Diode	I _O = 2A		2.2	3.0		2.2	3.0	V
Total Output Voltage Drop	I _O = 2A, Note 3		3.0	3.6		3.0	3.6	V

ELECTRICAL CHARACTERISTICS: Unless otherwise stated, these specifications apply for TA = 0°C to 70°C for 3620; TA = 55°C to +125°C for UC1620; VCC = 20V, RT = 20V, RT = 10k, CT = -2.2nF. TA=TJ.

PARAMETER	TEST CONDITIONS	UC3620			UC1620			UNIT
		MIN	TYP	MAX	MIN	TYP	MAX	
Output Section (cont.)								
Output Rise Time	RL = 44Ω		150			150		ns
Output Fall Time	RL = 44Ω		150			150		ns
Under Voltage Lockout								
Startup Threshold				8.0			8.0	V
Threshold Hysteresis			0.5			0.5		V
Thermal Shutdown								
Junction Temperature	Note 2	150		180	150		180	°C
Total Standby Current								
Supply Current			32	55		32	55	mA

Note 2: These parameters, although guaranteed over the recommended operating conditions, are not 100% tested in production.

Note 3: The total voltage drop is defined as the sum of both top and bottom side driver.

TABLE 1

STEP	FWD/REV	Ha	Hb	Hc	AOUT	BOUT	COUT
1	1	1	0	1	H	L	O
2	1	1	0	0	H	O	L
3	1	1	1	0	O	H	L
4	1	0	1	0	L	H	O
5	1	0	1	1	L	O	H
6	1	0	0	1	O	L	H
1	0	1	0	1	L	H	O
2	0	1	0	0	L	O	H
3	0	1	1	0	O	L	H
4	0	0	1	0	H	L	O
5	0	0	1	1	H	O	L
6	0	0	0	1	O	H	L

H = HIGH OUTPUT
L = LOW OUTPUT
O = OPEN OUTPUT

CIRCUIT DESCRIPTION

The UC3620 is designed for implementation of a complete 3-Ø brushless DC servo drive using a minimum number of external components. Below is a functional description of each major circuit feature.

DECODER

Table 1 shows the decoding scheme used in the UC3620 to decode and drive each of three high current totem pole output stages. A forward/reverse signal, pin 13, is used to provide direction. At any point in time, one driver is sourcing, one driver is sinking, and the remaining driver is off or tri-stated. Pulse width modulation is accomplished by turning the sink driver off during the monostable reset time, producing a fixed off-time chop mode. Controlled output rise and fall times help reduce electrical switching noise while maintaining relatively small switching losses.

Hall lines require pull-up resistors.

CURRENT SENSING

Referring to Figure 1, emitter current is sensed across RS and fed back through a low pass filter to the current sense pin 7. This filter is required to eliminate false triggering of the monostable due to leading edge current spikes. Actual filter values, although somewhat dependent on external loads, will generally be in the 1kΩ and 1000pF range.

TIMING

An R-C time constant on pin 9 is used by the monostable to generate a fixed off time at the outputs according to the formula:

$$T_{OFF} = .916RTCT$$

As the peak current in the emitters approaches the value at the minus (-) input of the on-board comparator, the monostable is triggered, causing the outputs to be turned

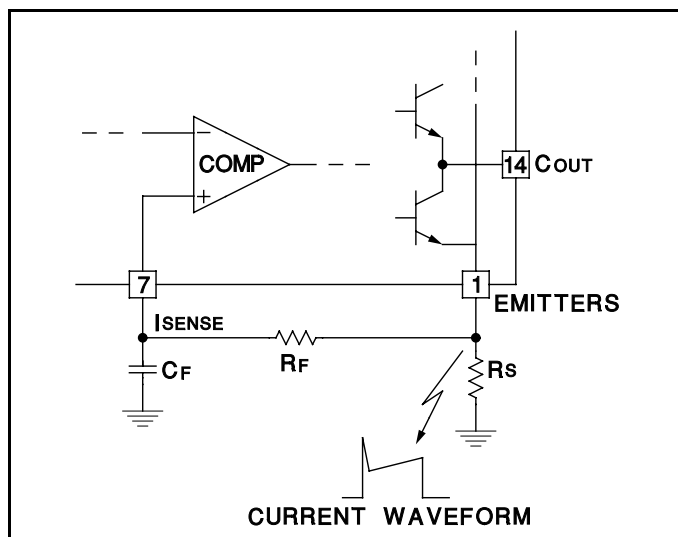


Figure 1. Current Sense Filter

CIRCUIT DESCRIPTION (cont.)

off. On time is determined by the amount of time required for motor current to increase to the value required to re-trip the monostable. A timing sequence of these events is shown in Figure 2.

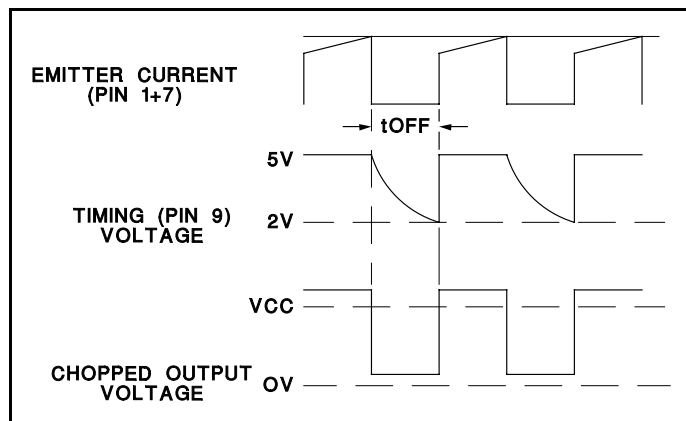


Figure 2. Chopped Mode Timing Diagram

CURRENT LIMIT

Since peak current is being controlled at all times by the internal comparator, a simple voltage clamp at its negative (-) input will limit peak current to a maximum value. A fixed 0.5V internal clamp has been included on the UC3620, and any current spike in the output which generates a sensed voltage greater than 0.5V will immediately shut down the outputs. Actual peak current values may be programmed by selecting the appropriate value of R_s according to the formula:

$$R_s = \frac{0.5}{I_{CURRENTLIMIT}}$$

Since peak current is being controlled at all times by the internal comparator, a simple voltage clamp at its nega-

tive (-) input will limit peak current to a maximum value. A fixed 0.5V internal clamp has been included on the UC3620, and any current spike in the output which generates a sensed voltage greater than 0.5V will immediately shut down the outputs. Actual peak current values may be programmed by selecting the appropriate value of R_s according to the formula:

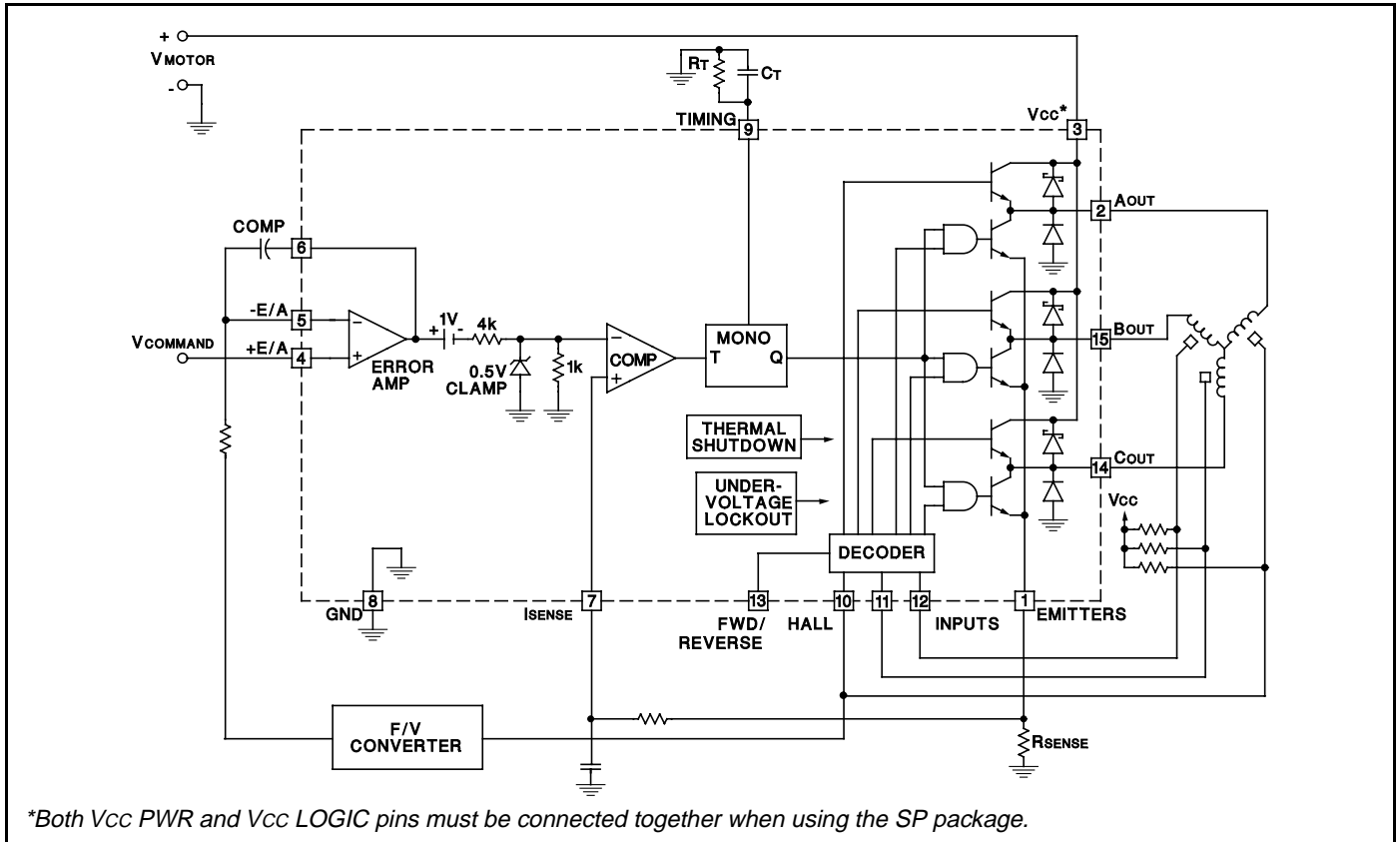
$$R_s = \frac{0.5}{I_{CURRENTLIMIT}}$$

ERROR AMPLIFIER LIMIT

A high performance, on-board error amplifier is included to facilitate implementing closed loop motor control. Error voltage generation and loop compensation are easily accomplished by appropriately configuring the gain and feedback of this amplifier. To provide a larger dynamic signal range at the output of the error amplifier, a divide by 5 resistor network is used to reduce the error signal level before applying to the internal comparator. In addition, a one volt offset has been introduced at the output of the error amplifier to guarantee control down to zero current in the output stages. Since this offset is divided by the open loop gain of the feedback loop, it has virtually no effect on closed loop performance.

PROTECTION FUNCTIONS

Protective functions including under-voltage lockout, peak current limiting, and thermal shutdown, provide an extremely rugged device capable of surviving under many types of fault conditions. Under-voltage lockout guarantees the outputs will be off or tri-stated until V_{CC} is sufficient for proper operation of the chip. Current limiting limits the peak current for a stalled or shorted motor, whereas thermal shutdown will tri-state the outputs if a temperature above 150°C is reached.



Closed Loop Speed Control Servo

PACKAGING INFORMATION

Orderable Device	Status ⁽¹⁾	Package Type	Package Drawing	Pins	Package Qty	Eco Plan ⁽²⁾	Lead/Ball Finish	MSL Peak Temp ⁽³⁾
UC1620SP	OBSOLETE		UTR	24		TBD	Call TI	Call TI
UC1620SP883B	OBSOLETE		UTR	24		TBD	Call TI	Call TI
UC1620SP883C	OBSOLETE		UTR			TBD	Call TI	Call TI
UC3620SP	OBSOLETE		UTR	24		TBD	Call TI	Call TI
UC3620V	OBSOLETE		UTR	15		TBD	Call TI	Call TI
UC3620VH	OBSOLETE		UTR	15		TBD	Call TI	Call TI

⁽¹⁾ The marketing status values are defined as follows:

ACTIVE: Product device recommended for new designs.

LIFEBUY: TI has announced that the device will be discontinued, and a lifetime-buy period is in effect.

NRND: Not recommended for new designs. Device is in production to support existing customers, but TI does not recommend using this part in a new design.

PREVIEW: Device has been announced but is not in production. Samples may or may not be available.

OBSOLETE: TI has discontinued the production of the device.

⁽²⁾ Eco Plan - The planned eco-friendly classification: Pb-Free (RoHS) or Green (RoHS & no Sb/Br) - please check <http://www.ti.com/productcontent> for the latest availability information and additional product content details.

TBD: The Pb-Free/Green conversion plan has not been defined.

Pb-Free (RoHS): TI's terms "Lead-Free" or "Pb-Free" mean semiconductor products that are compatible with the current RoHS requirements for all 6 substances, including the requirement that lead not exceed 0.1% by weight in homogeneous materials. Where designed to be soldered at high temperatures, TI Pb-Free products are suitable for use in specified lead-free processes.

Green (RoHS & no Sb/Br): TI defines "Green" to mean Pb-Free (RoHS compatible), and free of Bromine (Br) and Antimony (Sb) based flame retardants (Br or Sb do not exceed 0.1% by weight in homogeneous material)

⁽³⁾ MSL, Peak Temp. -- The Moisture Sensitivity Level rating according to the JEDEC industry standard classifications, and peak solder temperature.

Important Information and Disclaimer:The information provided on this page represents TI's knowledge and belief as of the date that it is provided. TI bases its knowledge and belief on information provided by third parties, and makes no representation or warranty as to the accuracy of such information. Efforts are underway to better integrate information from third parties. TI has taken and continues to take reasonable steps to provide representative and accurate information but may not have conducted destructive testing or chemical analysis on incoming materials and chemicals. TI and TI suppliers consider certain information to be proprietary, and thus CAS numbers and other limited information may not be available for release.

In no event shall TI's liability arising out of such information exceed the total purchase price of the TI part(s) at issue in this document sold by TI to Customer on an annual basis.

IMPORTANT NOTICE

Texas Instruments Incorporated and its subsidiaries (TI) reserve the right to make corrections, modifications, enhancements, improvements, and other changes to its products and services at any time and to discontinue any product or service without notice. Customers should obtain the latest relevant information before placing orders and should verify that such information is current and complete. All products are sold subject to TI's terms and conditions of sale supplied at the time of order acknowledgment.

TI warrants performance of its hardware products to the specifications applicable at the time of sale in accordance with TI's standard warranty. Testing and other quality control techniques are used to the extent TI deems necessary to support this warranty. Except where mandated by government requirements, testing of all parameters of each product is not necessarily performed.

TI assumes no liability for applications assistance or customer product design. Customers are responsible for their products and applications using TI components. To minimize the risks associated with customer products and applications, customers should provide adequate design and operating safeguards.

TI does not warrant or represent that any license, either express or implied, is granted under any TI patent right, copyright, mask work right, or other TI intellectual property right relating to any combination, machine, or process in which TI products or services are used. Information published by TI regarding third-party products or services does not constitute a license from TI to use such products or services or a warranty or endorsement thereof. Use of such information may require a license from a third party under the patents or other intellectual property of the third party, or a license from TI under the patents or other intellectual property of TI.

Reproduction of information in TI data books or data sheets is permissible only if reproduction is without alteration and is accompanied by all associated warranties, conditions, limitations, and notices. Reproduction of this information with alteration is an unfair and deceptive business practice. TI is not responsible or liable for such altered documentation.

Resale of TI products or services with statements different from or beyond the parameters stated by TI for that product or service voids all express and any implied warranties for the associated TI product or service and is an unfair and deceptive business practice. TI is not responsible or liable for any such statements.

Following are URLs where you can obtain information on other Texas Instruments products and application solutions:

Products		Applications	
Amplifiers	amplifier.ti.com	Audio	www.ti.com/audio
Data Converters	dataconverter.ti.com	Automotive	www.ti.com/automotive
DSP	dsp.ti.com	Broadband	www.ti.com/broadband
Interface	interface.ti.com	Digital Control	www.ti.com/digitalcontrol
Logic	logic.ti.com	Military	www.ti.com/military
Power Mgmt	power.ti.com	Optical Networking	www.ti.com/opticalnetwork
Microcontrollers	microcontroller.ti.com	Security	www.ti.com/security
		Telephony	www.ti.com/telephony
		Video & Imaging	www.ti.com/video
		Wireless	www.ti.com/wireless

Mailing Address: Texas Instruments
Post Office Box 655303 Dallas, Texas 75265