

# Ultra-Broadband Silicon Capacitor UBSC 0201 47nF BV11



Rev. 3.00

## General description

UBSC Capacitor targets Optical communication system such as ROSA/TOSA, SONET and all optoelectronics as well as High speed data system or products.

The UBSC is suitable for DC blocking, feedback, coupling and bypassing applications in all broadband optoelectronics and High-speed data system.

The unique technology of integrated passive device in silicon, developed by Murata Integrated Passive Solutions, offers unique performances with low insertion loss, low reflection and phase stability from 34 KHz to 60 GHz+.

These capacitors in ultra-deep trenches in silicon have been developed in a semiconductor process, in order to integrate trench MOS capacitor providing high capacitance value of 47 nF (for kHz–MHz range) and high frequency MIM capacitors for low capacitance value for GHz range), combined in a 0201 [0.8x0.6mm] case.

The UBSC capacitor provides very high stability of the capacitance over temperature, voltage variation as well as a very high reliability.

UBSC capacitors have an extended operating temperature ranging from -55 to 150°C, with very low capacitance change over temperature.

**Assembly:** Suitable for surface mounted application on rigid PCB, ceramic substrate, FR4 (laminated) or flex platforms.

**Bump finishing:** ENIG

Copper pads optional for embedding version and SAC305 type 6 for pre-bumping version, as an optional finishing.

## Key features

- Ultra-Large band performance up to 67 GHz
- Resonance free
- Phase stability
- Insertion loss < 0.3dB Typ. up to 60 GHz
- Ultra-high stability of capacitance value:
  - Temperature 70ppm/K (-55 °C to +150 °C)
  - Voltage < -0.1%/Volt
  - Negligible capacitance loss through ageing
- Low profile: 400µm, 100 µm on request
- Break down voltage : 11V
- Low leakage current < 100pA
- High reliability
- High operating temperature (up to 150 °C)
- Compatible with high temperature cycling during manufacturing operations (exceeding 300 °C)
- Compatible with EIA 0201 footprint

## Key applications

- ROSA/TOSA
- SONET
- High speed digital logic
- Microwave/millimetre system
- High volumetric efficiency (*i.e. capacitance per unit volume*)
- Broadband test equipment



## Functional diagram

The next figure provides implementation set-up diagram.

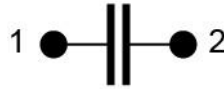


Figure 1 Block Diagram

## Electrical performances

Symbol	Parameter	Conditions	Min.	Typ.	Max.	Unit
C	Capacitance value	@+25°C	-	47	-	nF
$\Delta C_P$	Capacitance tolerance <sup>(1)</sup>	@+25°C	-15	-	+15	%
T <sub>OP</sub>	Operating temperature		-55	20	150	°C
T <sub>STG</sub>	Storage temperature <sup>(2)</sup>		-70	-	165	°C
$\Delta C_T$	Capacitance temperature variation	-55 °C to 150 °C	-	70	-	ppm/K
RV <sub>DC</sub>	Rated voltage <sup>(3)</sup>		-	-	3.8 <sup>(4)</sup> 3.4 <sup>(5)</sup>	V <sub>DC</sub>
BV	Break down voltage	@+25°C	11	-	-	V
$\Delta C_{RVDC}$	Capacitance voltage variation	From 0 V to RV <sub>DC</sub> , @+25°C	-	-	-0.1	%/V <sub>DC</sub>
IR	Insulation resistor	@RV <sub>DC</sub> , +25°C, 120s	-	10	-	GΩ
ESL	Equivalent Serial Inductance	@+25°C, SRF shunt mode	-	20	-	pH
ESR	Equivalent Serial Resistance	@+25°C, shunt mode	-	220	-	mOhm
F <sub>c-3dB</sub>	Cut-off frequency at 3dB	@+25°C	-	34	40	kHz
IL	Insertion loss	@ 20 GHz, +25°C	-	0.2	-	dB
		@ 40 GHz, +25°C	-	0.3	-	dB
		@ 60 GHz, +25°C	-	0.3	-	dB
RL	Return loss	Up to 60 GHz, +25°C	16	-	-	dB
ESD	HBM stress <sup>(6)</sup>	JS-001-2017	2	-	-	kV

Table 1 - Electrical performances

<sup>(1)</sup>: other tolerance available upon request.

<sup>(2)</sup>: without packaging.

<sup>(3)</sup>: Lifetime is voltage and temperature dependent, please refer to application note 'Lifetime of 3D capacitors'.

<sup>(4)</sup>: 10 years of intrinsic lifetime prediction at 100°C continuous operation.

<sup>(5)</sup>: 10 years of intrinsic lifetime prediction at 150°C continuous operation.

<sup>(6)</sup>: please refer to application note 'ESD Challenge in 3D Murata Integrated Passive technology'.



## Module of S-parameters of 47nF UBSC in transmission mode

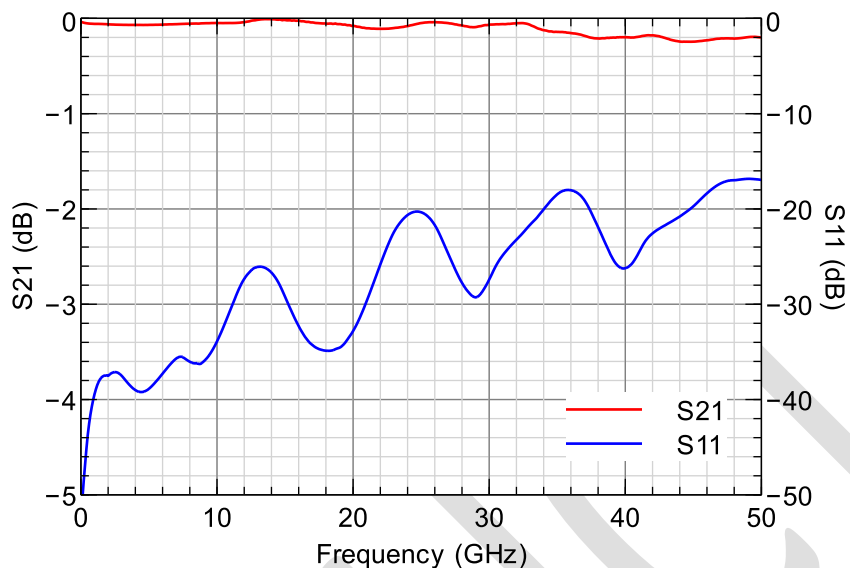
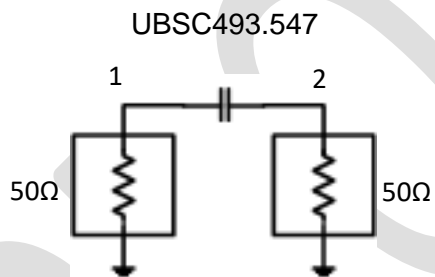


Figure 2 - 47nF UBSC Measured results (module of S-parameters)

## Schematic of 47nF UBSC in transmission mode



### 6.6-mil Rogers 4350B.

Microstrip mode – line width = 0.400mm and gap = 0.300 mm. (nominal 50 ohm characteristic impedance).

Figure 3 - 47nF UBSC measurement schematic

## Example of 0201 surface mounted

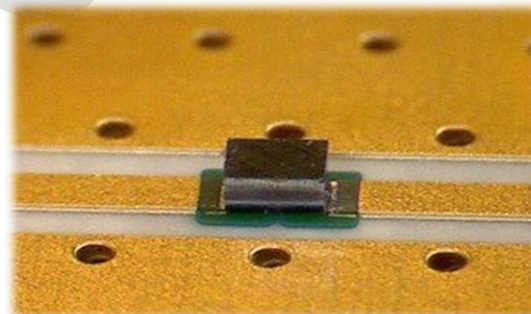


Figure 4 – micro picture of UBSC mounted on board in coplanar mode



## Pinning definition

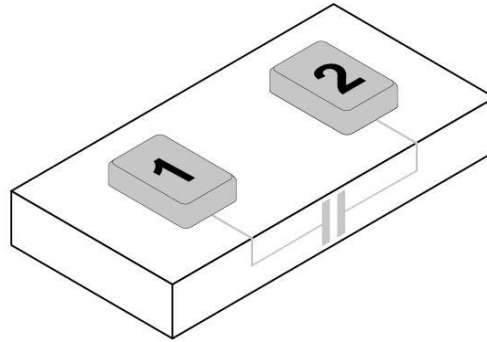


Figure 5 Pin configuration

pin #	Symbol	Coordinates X / Y
1	Signal	-225.0 / 0.0
2	Signal	225.0 / 0.0

Table 2 - Pining description. Reference (0,0) located at the centre of the die.

## Ordering Information for UBSC493.547

Regardless of packaging, Murata Integrated Passive Devices delivers products with AQL level II (0.65).

Type number	Package		
	Packaging	Finishing	Description
935151493547-F1N	6" film frame carrier <sup>(1)</sup>	NiAu <sup>(2)</sup>	UBSC 0201 - 47nF – 2 pads – 0.8 x 0.6 mm x 0.40mm <sup>(4)</sup>
935151493547-T3N	T&R 1 000units <sup>(3)</sup>	NiAu <sup>(2)</sup>	UBSC 0201 - 47nF – 2 pads – 0.8 x 0.6 mm x 0.40mm <sup>(4)</sup>
935151493547-T4N	T&R 10 000units <sup>(3)</sup>	NiAu <sup>(2)</sup>	UBSC 0201 - 47nF – 2 pads – 0.8 x 0.6 mm x 0.40mm <sup>(4)</sup>
935152493547-F1N	6" film frame carrier <sup>(1)</sup>	NiAu <sup>(2)</sup>	UBSC 0201 - 47nF – 2 pads – 0.8 x 0.6 mm x 0.10mm <sup>(4)</sup>
935152493547-F1S	6" film frame carrier <sup>(1)</sup>	SAC <sup>(2)</sup>	UBSC 0201 - 47nF – 2 pads – 0.8 x 0.6 mm x 0.10mm <sup>(4)</sup>
935152493547-T3N	T&R 1 000units <sup>(3)</sup>	NiAu <sup>(2)</sup>	UBSC 0201 - 47nF – 2 pads – 0.8 x 0.6 mm x 0.10mm <sup>(4)</sup>
935152493547-T4N	T&R 10 000units <sup>(3)</sup>	NiAu <sup>(2)</sup>	UBSC 0201 - 47nF – 2 pads – 0.8 x 0.6 mm x 0.10mm <sup>(4)</sup>

(1) Other film frame carrier are possible on request

(2) SAC = ENIG (0.1µm Au / 5µm Ni) + SAC305 type 6 or NiAu = ENIG (0.1µm Au / 5µm Ni)

(3) missing capacitors can reach 0.5%

(4) refer to [Figure 7](#)

Table 3 - Packaging and ordering information

Product Name	Die Name	Description
UBSC493.547	XC0201547	UBSC 47nF/0201/BV11 – 2 pads – 0.8 x 0.6 mm x 0.40mm
UBSC493.547	XC0201547	UBSC 47nF/0201/BV11 – 2 pads – 0.8 x 0.6 mm x 0.10mm

Table 4 - Die information



## Pad Metallization

---

The Surface Mounted Capacitor is delivered as standard with NiAu finishing [ENIG (0.1 $\mu$ m Au / 5 $\mu$ m Ni)].

Other Metallization, such as SAC305 type6 bumping, Copper, Thick Gold or Aluminum pads are possible on request.

Silicon dies are not sensitive to humidity, please refer to applications notes 'Assembly Notes' section 'Handling precautions and storage'.

## Material regulation

---

This product is RoHS compliant at the time of publication. For further information about regulation compliancy, please ask your sales representative.

PRODUCT



## Package outline

The product is delivered as a bare silicon die.

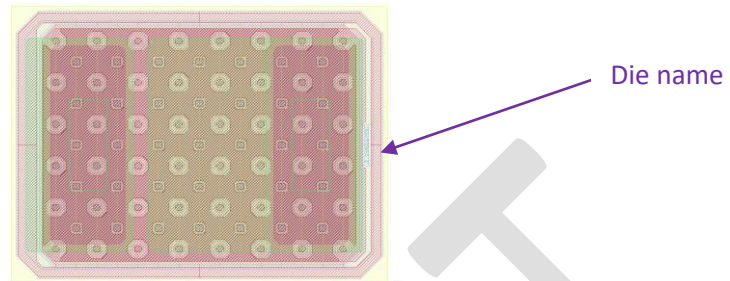


Figure 6 – Layout view

L (mm)	W (mm)	T (mm)	a (mm)	P (mm)	b (mm)	t (mm)
0.80 ±0.04	0.60 ±0.04	0.40 or 0.10 ±0.01	0.15	0.30	0.40	0.005 <sup>(1)</sup> or 0.04 <sup>(2)</sup>

(1) Standard with ENIG

(2) Solder joint height after reflow on board in case of SAC305 pre-bumping.

Table 5 - Dimensions and tolerances

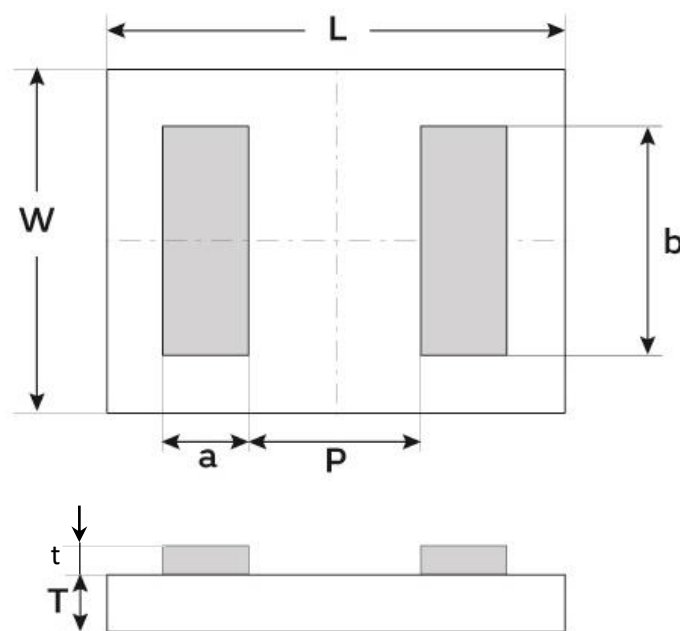


Figure 7 - Package outline drawing

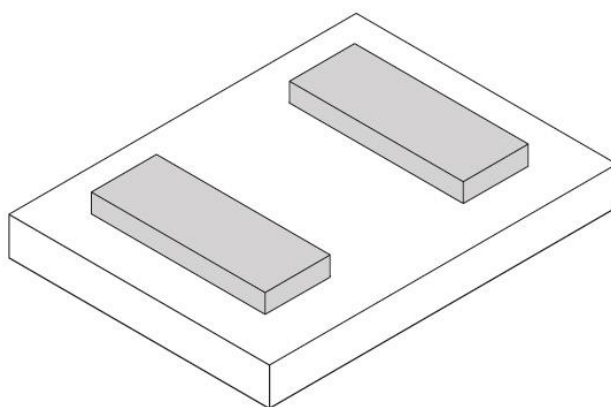


Figure 8 - Package isometric view

PRODUCTION



## Assembly

---

UBSC series is compatible with standard reflow technology.

It is recommended to design mirror pads on the PCB.

For further information, please see our mounting application note.

The attachment techniques recommended by Murata on the customer's substrates are fully detailed in specific documents available on our website. To assure the correct use and proper functioning of Murata capacitors **please download the assembly instructions on <https://www.murata.com/en-us/products/capacitor/siliconcapacitors> and read them carefully.**



Figure 9 Scan this QR Code to access the Murata Silicon Capacitor web page





## Packaging format

Please refer to application note 'Products Storage Conditions and Shelf Life'.

**Tape and Reel:** Dies are flipped in the tape cavity (bump down) with die ID located near the driving holes of the tape.

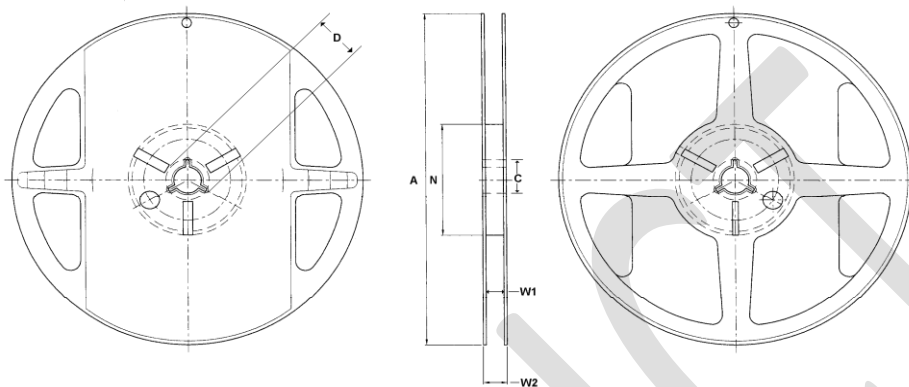


Figure 10 - Reel drawing

Tape Width	Diameter A	C	D	Hub N	W1	W2
8	178 (7 inches)	13.5	20.2	60	9.3	11.5

Table 6 - Reel dimensions (mm)

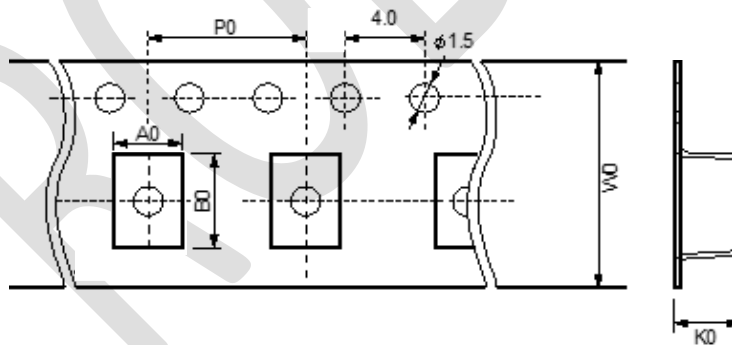


Figure 11 - Tape drawing (not to scale)

Cavity dimensions			Carrier tape width W0	Carrier tape pitch P0	Quantity per reel	Die thickness
A0	B0	K0				T(mm)
0.76	0.96	0.22	8	2	1 000	100 $\mu$ m
0.74	0.94	0.57	8	4	1 000	400 $\mu$ m

Table 7 - Tape dimensions (mm)

## Film frame carrier



With UV curable dicing tape (UV performed).

Good dies are identified using the SINF electronic mapping format. No ink is added on wafer to label other dies.

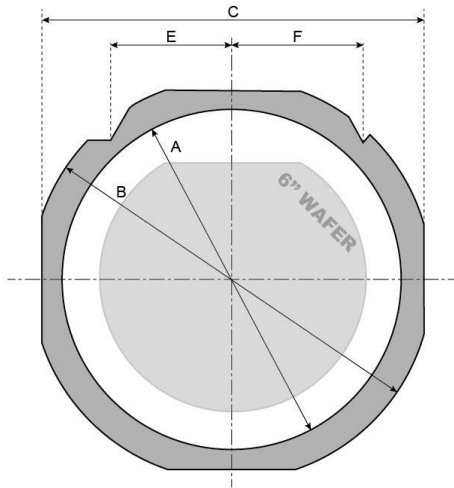


Figure 12 FF070 Frame with a 6" wafer

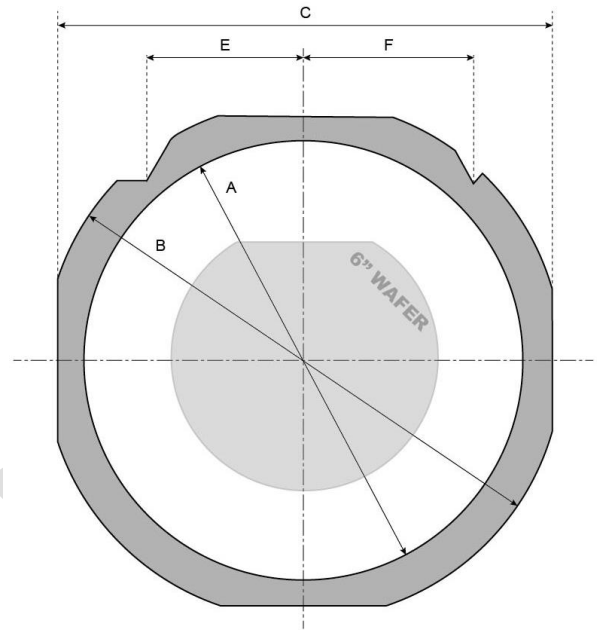


Figure 13 FF108 Frame with a 6" wafer

Frame Reference	Frame Style	Inside diameter A	Outside diameter B	Width C	Thickness	Pin location E	Pin location F
FF070 <sup>(1)</sup>	DTF-2-6-1	7.638"	8.976"	8.346"	0.048"	2.370"	2.5"
FF108 <sup>(1)</sup>	DTF-2-8-1	9.842"	11.653"	10.866"	0.048"	2.381"	2.5"

Table 8 - Frame dimensions (inches)

(1) or equivalent



## Definitions

### Data sheet status

Objective specification: This data sheet contains target or goal specifications for product development.

Preliminary specification: This data sheet contains preliminary data; supplementary data may be published later.

Product specification: This data sheet contains final product specifications.

### Limiting values

Stress above one or more of the limiting values may cause permanent damage to the device. These are stress ratings only and operation of the device at these or any other conditions above those given in the Electrical performances sections of this specification is not implied. Exposure to limiting values for extended periods may affect device reliability.

### Application information

Where application information is given, it is advisory and does not form part of the specification.

## Revision history

Revision	Date	Description	Author
Release 1.00	2016 Nov. 07th	Creation	OGA
Release 1.06	2021 Feb. 17th	Update	OGA
Release 2.00	2021 Apr. 07th	Preliminary release	OGA
Release 3.00	2021 July 01st	Product release	OGA

## Disclaimer / Life support applications

These products are not designed for use in life support appliances, devices, or systems where malfunction of these products can reasonably be expected to result in personal injury. Murata customers using or selling these products for use in such applications do so at their own risk and agree to fully indemnify Murata for any damages resulting from such improper use or sale.

Reproduction in whole or in part is prohibited without the prior written consent of the copyright owner. The information presented in this document does not form part of any quotation or contract, is believed to be accurate and reliable and may be changed without notice. No liability will be accepted by the publisher for any consequence of its use. Publication thereof does not convey nor imply any license under patent or other industrial or intellectual property rights.

Murata Integrated Passive Solutions S.A. makes no representation that the use of its products in the circuits described herein, or the use of other technical information contained herein, will not infringe upon existing or future patent rights. The descriptions contained herein do not imply the granting of licenses to make, use, or sell equipment constructed in accordance therewith. Specifications are subject to change without notice.



[www.murata.com](http://www.murata.com)

[mis@murata.com](mailto:mis@murata.com)