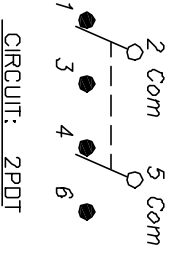


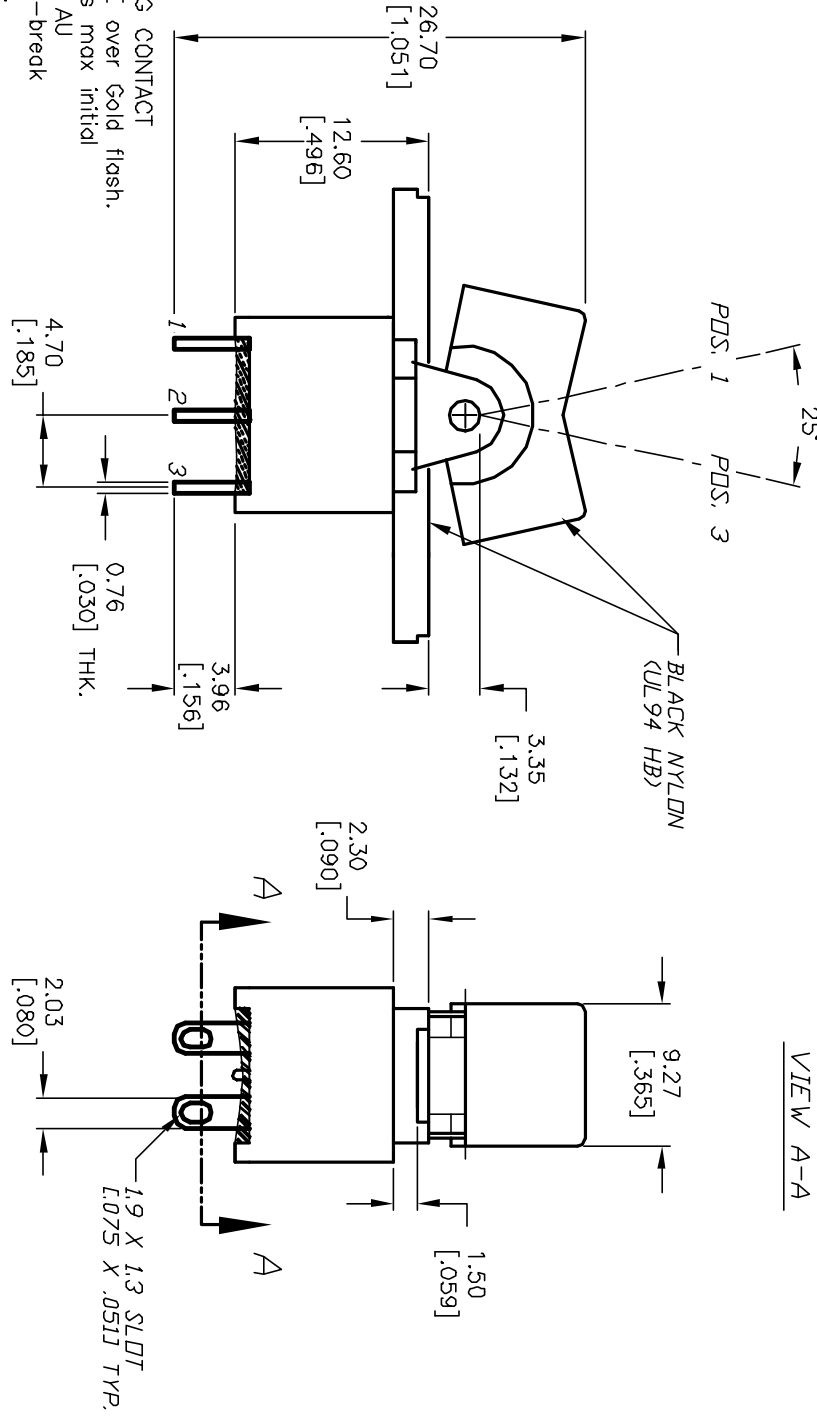
RECOMMENDED PANEL MOUNT



SWITCH FUNCTION			
PDS. 1	PDS. 2	PDS. 3	
(DN)	DEF	(DN)	
2-3,5-6	OPEN	2-1,5-4	

() = MOMENTARY

- NOTES:
1. ALL DIMENSIONS IN MM [INCH]
 2. GENERAL TOLERANCE: X.XX=±0.4 X.XX=±0.25
 3. TERM. NOS. FOR REF. ONLY
 4. RATING: 5A @120VAC OR 29VDC 2A @250VAC
 5. MATERIAL: FIXED TERMINAL & MOVING CONTACT
Copper Alloy w/SILVER PLATE over Gold flash.
 6. CONTACT RESISTANCE: 10mILLI Ohms max initial @2-4VDC, 100mA for AG & AU
 7. ELECTRICAL LIFE: 30,000 make-and-break cycles at full load.
 8. INSULATION RESISTANCE: 1,000M ohm min.
 9. DIELECTRIC STRENGTH: 1000V RMS @sea level
 10. OPERATING TEMP.: -30°C to 85°C



REV.	ECN No.	DESCRIPTION	DATE	CHKD	SCALE	DATE	DR	DWG	REV
A	11912	RELEASED FOR PRODUCTION	2/6/02	CB	2:1	2/6/02	CB	T302007	A
TITLE					300A WDP-4 R1 M1 Q E				
E-SWITCH®									
THE INFORMATION CONTAINED IN THIS DOCUMENT IS PROPRIETARY TO E-SWITCH AND IS NOT TO BE COPIED OR TRANSFERRED									