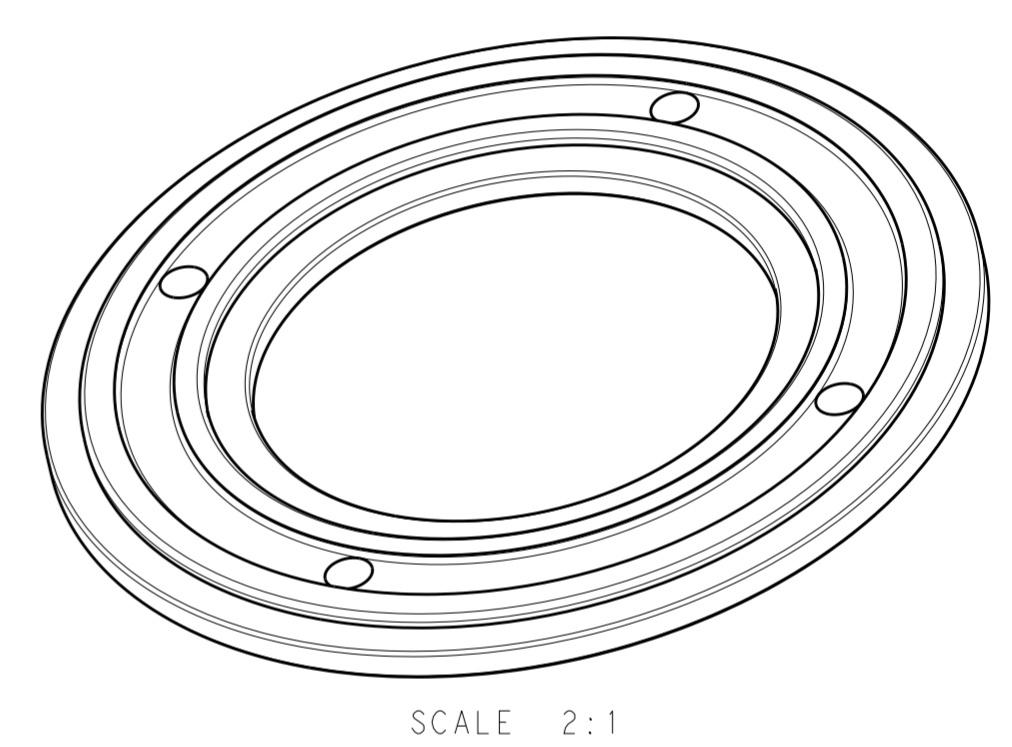
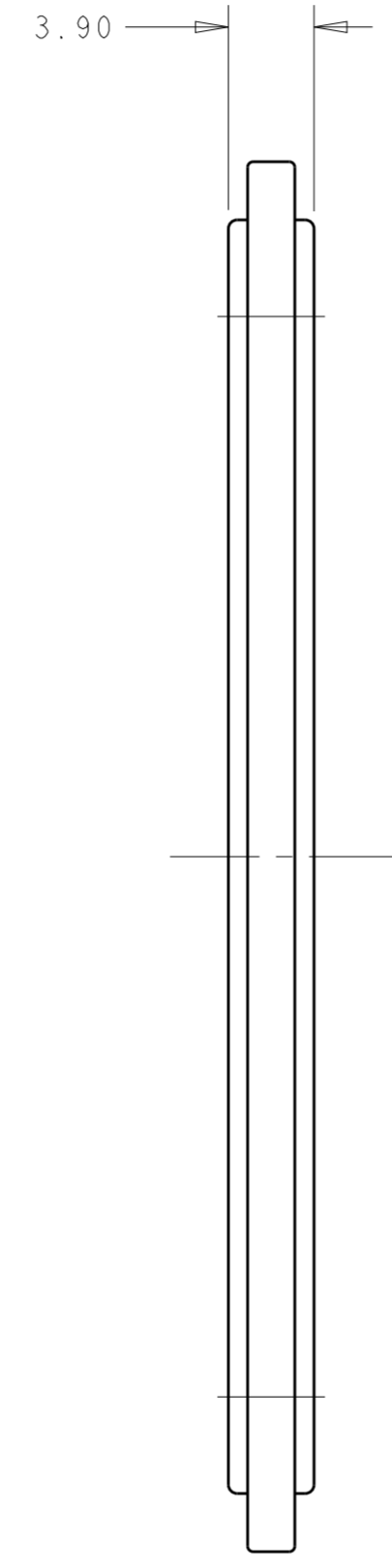
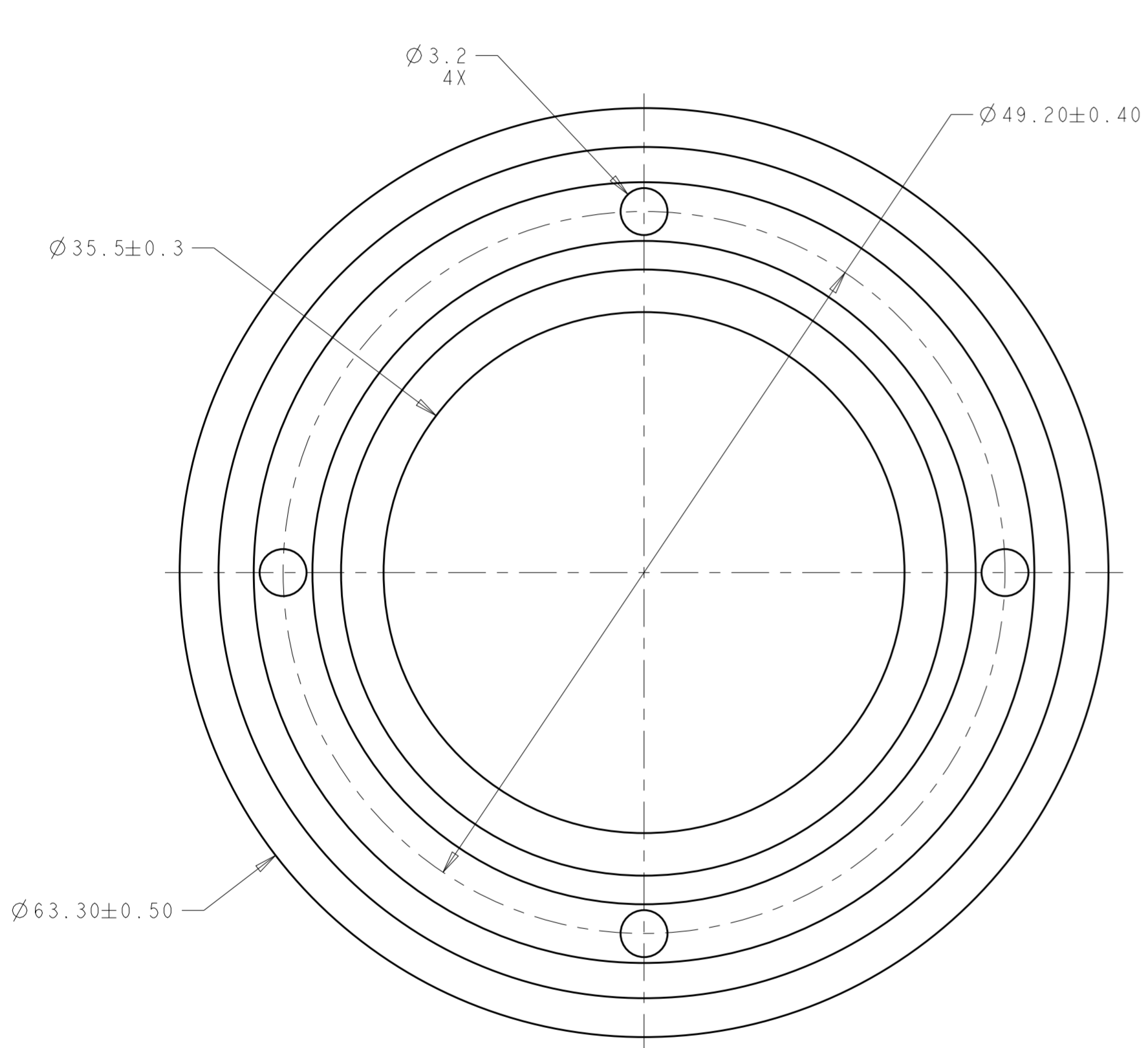


THIS DRAWING IS UNPUBLISHED. RELEASED FOR PUBLICATION 20  
 © COPYRIGHT 20 BY - ALL RIGHTS RESERVED.

REVISIONS					
P	LTR	DESCRIPTION	DATE	DWN	APVD
4		ADJUST TOLERANCE PER FAI	13JUL2018	CD	EH
A		ECR-18-011649	24JUL2018	GCM	DD
A1		ECO-18-014097	07SEP2018	GCM	DD
A2		ECO-18-017192	31OCT2018	SR	DD

- 1 MATERIAL: SILICON, COLOR: BLACK
- 2. MUST COMPLY WITH DIRECTIVE 2002/95/EC (ROHS)



2332473-1  
PART NO.

THIS DRAWING IS A CONTROLLED DOCUMENT.		DWN C. DAILY 16MAR2018	<b>STE</b> TE Connectivity	
		CHK M. STOLLER 16MAR2018		
DIMENSIONS:	TOLERANCES UNLESS OTHERWISE SPECIFIED:	APVD -	NAME GASKET, SEALING	
mm	0 PLC ± 1 PLC ±0.2 2 PLC ±0.13 3 PLC ± 4 PLC ±	PRODUCT SPEC 108-133114	TOOL-LESS ROTATABLE	
	ANGLES ±1°	APPLICATION SPEC 114-133114	SIZE A2	CAGE CODE 00779
MATERIAL	FINISH	WEIGHT -	DRAWING NO. C-2332473	RESTRICTED TO -
-	-	CUSTOMER DRAWING	SCALE 1:1	SHEET 1 OF 1
-	-			REV A2