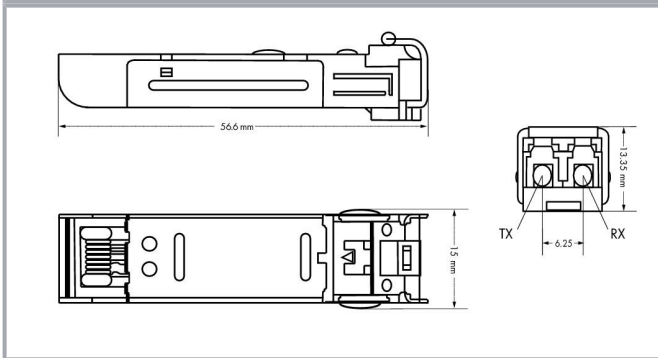
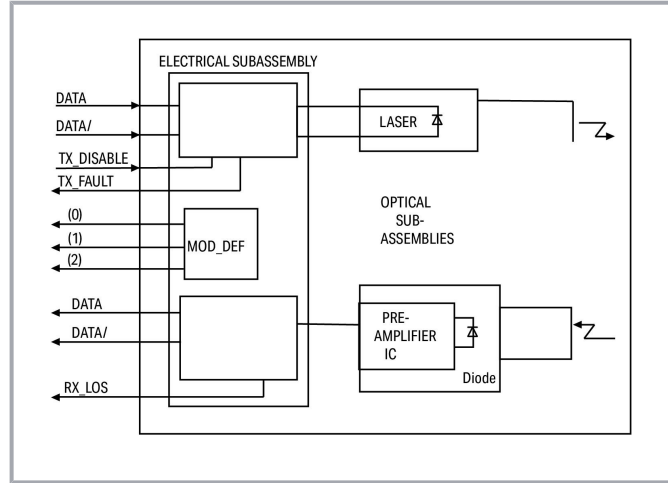


Picture differs from the item.

Color:



Item description

Features:

- Duplex LC optical connector
- Small Form-Factor Pluggable (SFP) industry-standard design
- Compliant with Fast ETHERNET standard
- Differential LVPECL inputs and outputs

Subject to changes. Please also observe the further product documentation!

WAGO Kontakttechnik GmbH & Co. KG

Hansastr. 27

32423 Minden

Phone: +49571 887-0 | Fax: +49571 887-169

Email: info.de@wago.com | Web: www.wago.com

Do you have any questions about our products?

We are always happy to take your call at +49 (571) 887-44222.



- Power supply: 3.3 V
- TTL signal detect indicator
- Hot-pluggable capability

Data**Technical data**

Optical fiber type	Single-mode
--------------------	-------------

Connection data

Connection technology: communication/fieldbus	1 x SFP; LC fiber-optic connector
Connection requirement, permissible cable length	30,000 m
Connection requirement (permissible cable type)	Single-mode fiber 9/125 µm; Wavelength: 1310 nm

Physical data

Width	13.4 mm / 0.528 inch
Height	13.3 mm / 0.524 inch
Depth	56.6 mm / 2.228 inch

Mechanical data

Weight	25.5 g
Color	silver-colored

Environmental requirements

Surrounding air temperature (operation)	0 ... 60 °C
Surrounding air temperature (storage)	-20 ... 80 °C

Commercial data

PU (SPU)	1 Stück
Packaging type	box
Country of origin	TW
GTIN	4045454635411
Customs tariff number	85176200000

Subject to changes. Please also observe the further product documentation!



Downloads

Documentation

Bid Text

852-201/107-030 doc - Datei	2018. 3. 9.	doc 27.1 kB	Download
--------------------------------	-------------	----------------	----------

852-201/107-030 X81 - Datei	2019. 2. 19.	xml 3.9 kB	Download
--------------------------------	--------------	---------------	----------

Additional Information

Disposal; Electrical and electronic equipment, Packaging	V 1.0.0	pdf 265.8 kB	Download
--	---------	-----------------	----------

System Description

Industrial Switches – General Product Information		pdf 2.0 MB	Download
---	--	---------------	----------

CAD/CAE-Data

CAE data

EPLAN Data Portal 852-201/107-030		URL	Download
-----------------------------------	--	-----	----------

WSCAD Universe 852-201/107-030		URL	Download
--------------------------------	--	-----	----------

WSCAD Universe 852-201/107-030		URL	Download
--------------------------------	--	-----	----------

EPLAN Data Portal 852-201/107-030		URL	Download
-----------------------------------	--	-----	----------

Environmental Product Compliance

Compliance Search

Environmental Product Compliance 852-201/107-030 SFP module 30: 1310nm; 100Base-FX Single-Mode LC; 30 km; silver-colored		URL	Download
---	--	-----	----------

Subject to changes. Please also observe the further product documentation!



Installation Notes

Subject to changes. Please also observe the further product documentation!

WAGO Kontakttechnik GmbH & Co. KG
Hansastr. 27
32423 Minden
Phone: +49571 887-0 | Fax: +49571 887-169
Email: info.de@wago.com | Web: www.wago.com

Do you have any questions about our products?
We are always happy to take your call at +49 (571) 887-44222.