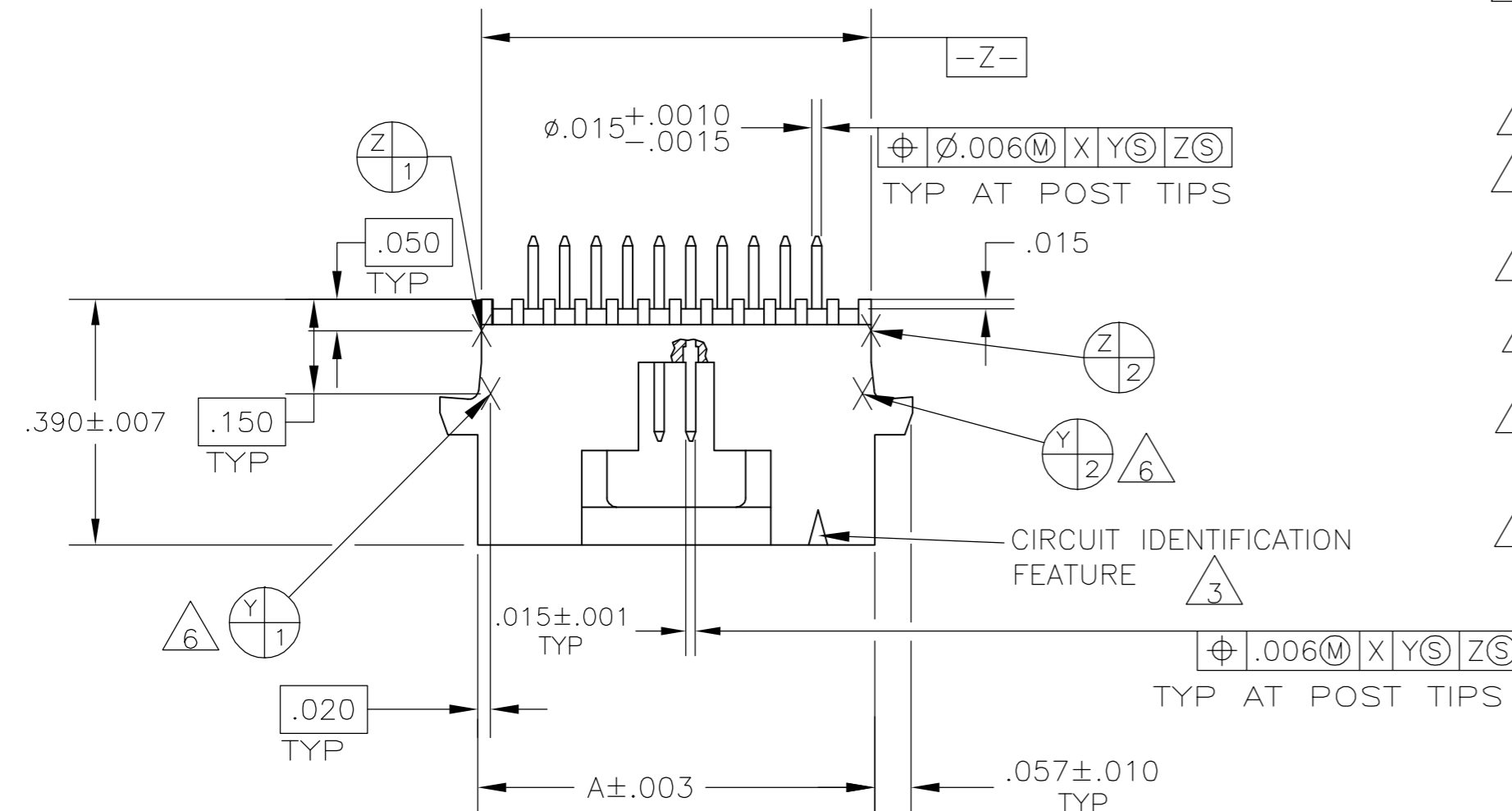
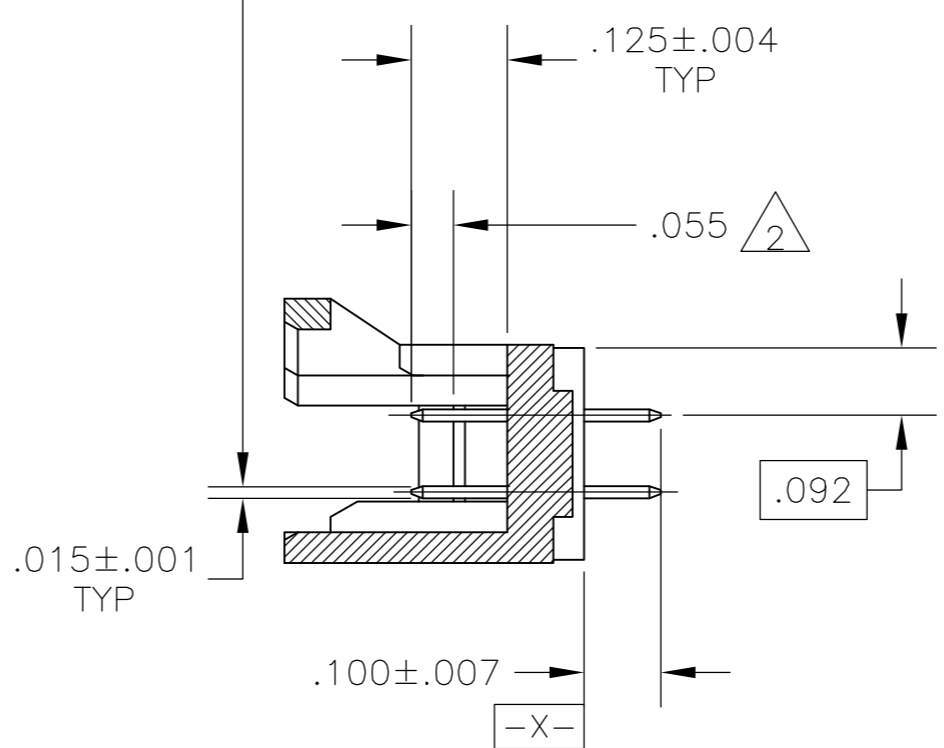
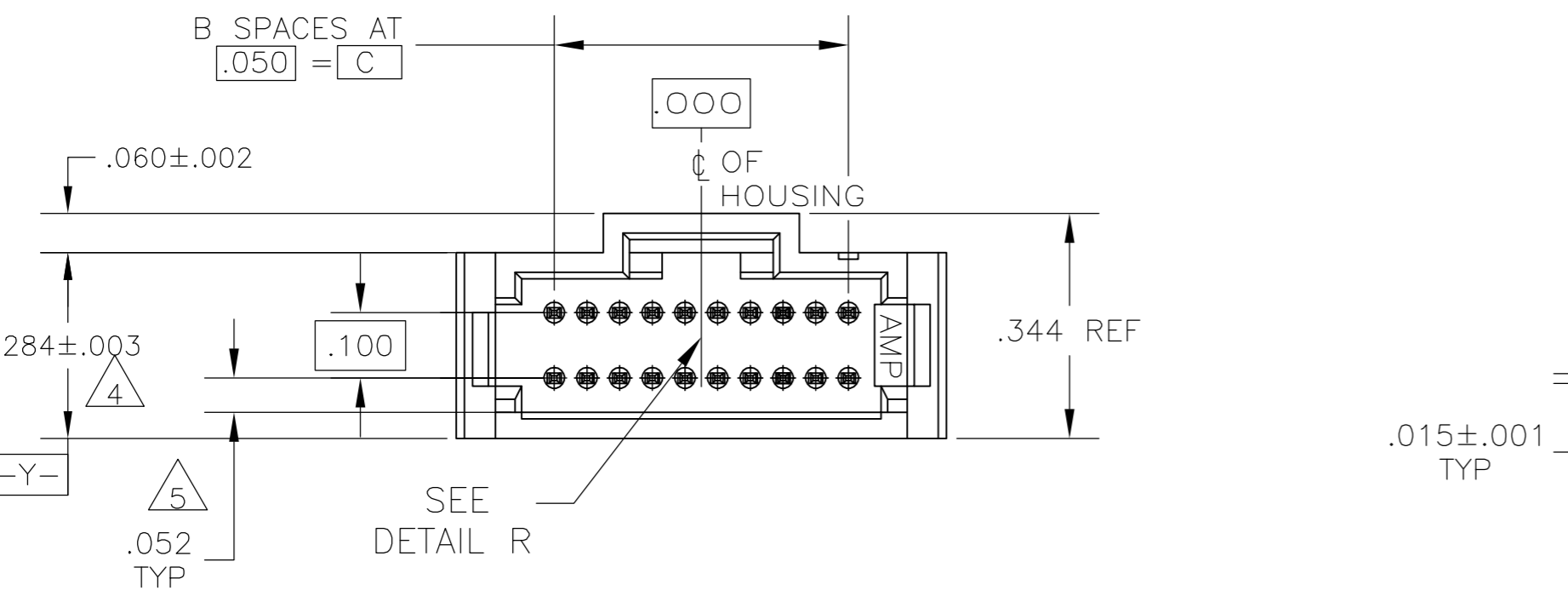


THIS DRAWING IS UNPUBLISHED. RELEASED FOR PUBLICATION
 © COPYRIGHT BY TYCO ELECTRONICS CORPORATION. ALL RIGHTS RESERVED.

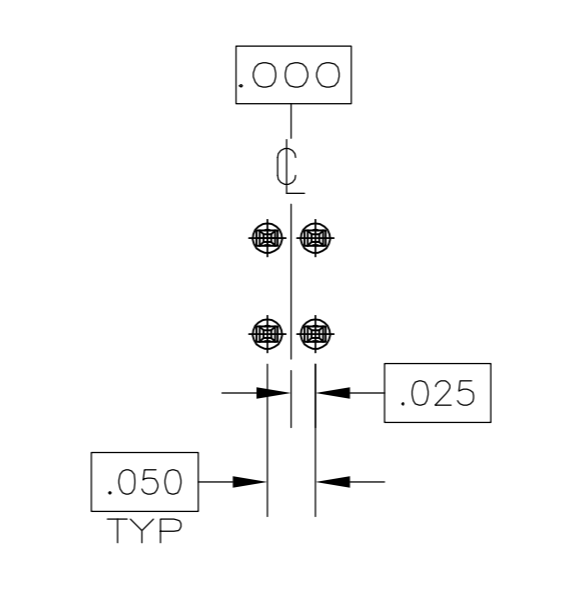
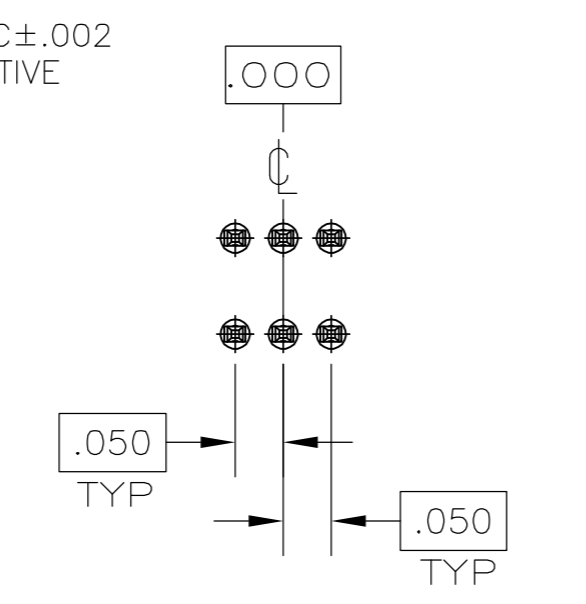
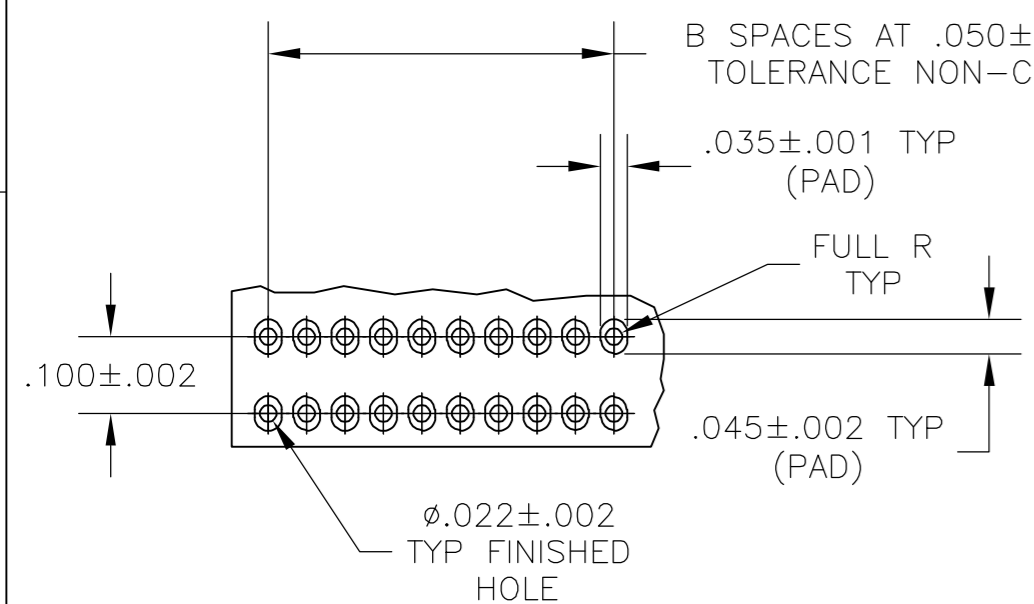
LOC		DIST		REVISIONS			
P	LTR	DESCRIPTION		DATE	DWN	APVD	
AD	00	N	ECR-05-000991, ECR-05-003293	01JUN05	MB	DLS	



- 1 CONTACT AREA PLATED WITH .000030 MIN GOLD; SOLDER TAILS PLATED WITH .000150 MIN TIN-LEAD, ALL OVER .000050 MIN NICKEL
- 2 POINT OF MEASUREMENT FOR PLATING THICKNESS
- 3 CIRCUIT IDENTIFICATION FEATURE OMITTED ON 8,10,12 AND 14 POSN HEADER ASSEMBLIES
- 4 DIMENSION APPLIES AT BASE OF SHROUD
- 5 THE NOTED DIMENSIONS APPLY AT THE INTERSECTION OF THE POST AND HOUSING
- 6 $\begin{matrix} Y \\ \oplus \\ 3 \end{matrix}$ $\begin{matrix} Y \\ \oplus \\ 4 \end{matrix}$ ARE LOCATED THE SAME AS $\begin{matrix} Y \\ \oplus \\ 1 \end{matrix}$ $\begin{matrix} Y \\ \oplus \\ 2 \end{matrix}$ EXCEPT ON OPPOSITE SIDE OF HOUSING.
- 7 CONTACT AREA PLATED WITH .000030 MIN. GOLD; SOLDER TAILS PLATED WITH .000150 MIN TIN; ALL OVER .000050 MIN NICKEL



	1.650	33	1.830	68	6-104068-8
	2.450	49	2.630	100	6-104068-7
	1.950	39	2.130	80	6-104068-6
	1.750	35	1.930	72	6-104068-5
	1.050	21	1.230	44	6-104068-4
	.800	16	.980	34	6-104068-3
	.600	12	.780	26	6-104068-2
	.550	11	.730	24	6-104068-1
	.350	7	.530	16	6-104068-0
	.300	6	.480	14	5-104068-9
	.250	5	.430	12	5-104068-8
	.150	3	.330	8	5-104068-7
	1.450	29	1.630	60	5-104068-6
	1.200	24	1.380	50	5-104068-5
	.950	19	1.130	40	5-104068-4
	.700	14	.880	30	5-104068-3
	.200	4	.380	10	5-104068-2
	.450	9	.630	20	5-104068-1
	1.650	33	1.830	68	1-104068-8
	2.450	49	2.630	100	1-104068-7
	1.950	39	2.130	80	1-104068-6
	1.750	35	1.930	72	1-104068-5
	1.050	21	1.230	44	1-104068-4
	.800	16	.980	34	1-104068-3
	.600	12	.780	26	1-104068-2
	.550	11	.730	24	1-104068-1
	.350	7	.530	16	1-104068-0
	.300	6	.480	14	104068-9
	.250	5	.430	12	104068-8
	.150	3	.330	8	104068-7
	1.450	29	1.630	60	104068-6
	1.200	24	1.380	50	104068-5
	.950	19	1.130	40	104068-4
	.700	14	.880	30	104068-3
	.200	4	.380	10	104068-2
	.450	9	.630	20	104068-1
FINISH	C	B	A	NO OF POS	PART NUMBER



RECOMMENDED HOLE PATTERN

BASIC DIMENSIONS FOR EVEN NO OF SPACES (SEE TABLE)

BASIC DIMENSIONS FOR ODD NO OF SPACES (SEE TABLE)

DETAIL R

THIS DRAWING IS A CONTROLLED DOCUMENT.

DIMENSIONS: INCHES	TOLERANCES UNLESS OTHERWISE SPECIFIED:	DWN D. CLOUSER 10-3-88	Tyco Electronics Corporation Harrisburg, Pa 17105-3608
	0 PLC ± -	CHK T. ZOLA 10-3-88	
	1 PLC ± -	APVD T. ZOLA 10-3-88	
	2 PLC ± -	PRODUCT SPEC 108-1093	
	3 PLC ± -	APPLICATION SPEC 114-25031	
MATERIAL	FINISH	WEIGHT	RESTRICTED TO
HOUSING: THERMOPLASTIC COLOR-BLACK POST: COPPER ALLOY	SEE TABLE	-	NAME: T. ZOLA SIZE: A2 CAGE CODE: 00779 DRAWING NO: C=104068 SCALE: 4:1 SHEET 1 OF 1 REV N