

**PLEASE CHECK WWW.MOLEX.COM FOR LATEST PART INFORMATION**

**Part Number:** [1045216001](#)  
**Status:** **Active**  
**Overview:** [IllumiMate™ Connector System](#)  
**Description:** IllumiMate™ 1.25mm Wire-to-Board Connector, Receptacle Terminal, Pre-plated, Tin (Sn)

**Documents:**

[Drawing \(PDF\)](#)      [Packaging Specification PK-104521-001-001 \(PDF\)](#)  
[Product Specification PS-104091-001-001 \(PDF\)](#)      [RoHS Certificate of Compliance \(PDF\)](#)

**General**

Product Family      Crimp Terminals  
Series      [104521](#)  
Application      Signal  
Crimp Quality Equipment      Yes  
Overview      [IllumiMate™ Connector System](#)  
Product Name      IllumiMate™  
UPC      884982508835

**Physical**

Durability (mating cycles max)      30  
Gender      Female  
Material - Metal      Phosphor Bronze  
Material - Plating Mating      Tin  
Material - Plating Termination      Tin  
Net Weight      0.028/g  
Packaging Type      Reel  
Termination Interface: Style      Crimp or Compression  
Wire Insulation Diameter      0.95mm max.  
Wire Size AWG      26, 32  
Wire Size mm<sup>2</sup>      N/A

**Electrical**

Current - Maximum per Contact      1.5A  
Voltage - Maximum      250V

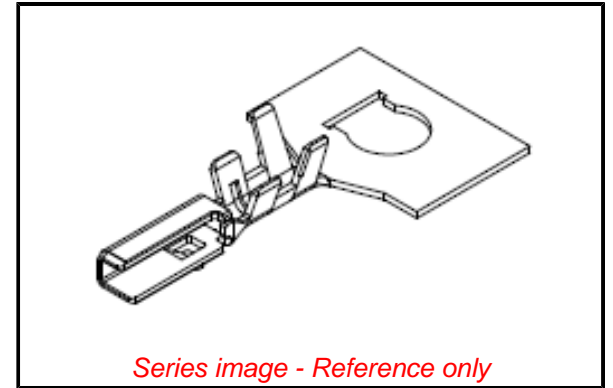
**Solder Process Data**

Lead-freeProcess Capability      N/A

**Material Info**

**Reference - Drawing Numbers**

Packaging Specification      PK-104521-001-001  
Product Specification      PS-104091-001-001  
Sales Drawing      SD-104521-001



**EU ELV**

**Not Relevant**

**EU RoHS**

**Compliant**

**REACH SVHC**

Not Contained Per  
-ED/01/2017 (12  
January 2017)

**Halogen-Free**

**Status**

**Low-Halogen**

**Need more information on product environmental compliance?**

Email [productcompliance@molex.com](mailto:productcompliance@molex.com)  
Please visit the [Contact Us](#) section for any non-product compliance questions.

China ROHS	Green Image
ELV	Not Relevant
RoHS Phthalates	Not Contained

**Search Parts in this Series**

[104521](#) Series

**Use With**

[104092](#) , [104105](#) , [104121](#) Crimp Housings

**Application Tooling | FAQ**

*Tooling specifications and manuals are found by selecting the products below. Crimp Height Specifications are then contained in the Application Tooling Specification document.*

**Global**

Description	Product #
Hand Crimp Tool for IllumiMate 1.25mm Wire-to-Board Crimp Terminals	<a href="#">0638272300</a>

This document was generated on 05/23/2017

**PLEASE CHECK [WWW.MOLEX.COM](http://WWW.MOLEX.COM) FOR LATEST PART INFORMATION**