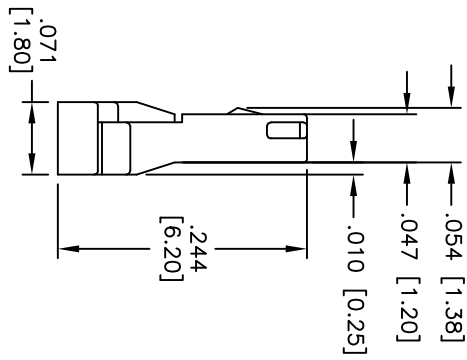
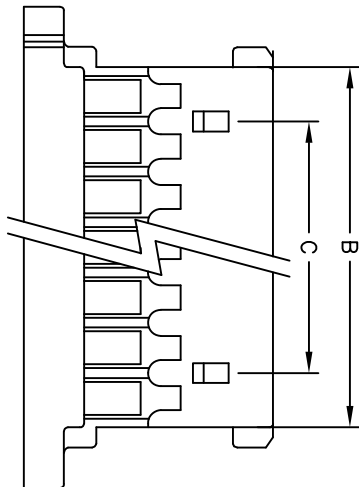
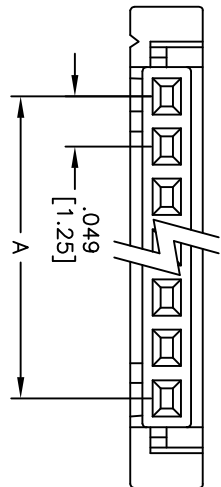


Rev	AWO #	Description	Date	Appr
-		RELEASED	2/24/11	

APPROVED: \_\_\_\_\_  
 DATE: \_\_\_\_\_ TITLE: \_\_\_\_\_



Positions: 2 thru 16, 18, 20, 22, 24, 26, 28, 30  
 A = .049 [1.25] X No. of Spaces  
 B = .049 [1.25] X No. of Positions + .008 [0.20]  
 C = .049 [1.25] X No of Spaces - .049 [1.25].....above 4 Positions

**ADAM TECH**

909 Rahway Avenue, Union, NJ 07083  
 Phone: 908-687-5000 Fax: 908-687-5710

TITLE: .049 [1.25] PITCH CRIMP HOUSING  
 SINGLE ROW, 2 THRU 30 POSITIONS

**SPECIFICATIONS:**  
 Material: Insulator: PBT, rated UL 94V-0  
 Insulator color: White  
**Electrical:**  
 Voltage rating: 125V AC/DC  
 Current rating: 1A DC/DC  
 Withstanding voltage: 250V AC/minute  
 Insulation resistance: 100M ohms min  
 Contact resistance: 20m ohms max  
**Temperature Rating:**  
 Operating temperature: -25°C to +85°C  
 Environmental: Lead free, RoHS compliant.



UNLESS OTHERWISE SPECIFIED ALL DIMENSIONS ARE INCHES [MM]		TOLERANCES: EXCEPT AS NOTED	
INCHES		HOLDS	
.X ± .10	ØX ± .10		
.XX ± .020	ØXX ± .015		
.XXX ± .015	ØXXX ± .010		
APPROVALS	DATE	TITLE	
DRAWN DY	2/24/11	PART NO. 125CH-H-XX	
CHECKED		SIZE X	
APPROVED		REF: S00723T	
		SCALE: NTS	SHEET 1 OF 1

6 5 4 3 2 1