

MK-12D18-GXXX

侧拨形式

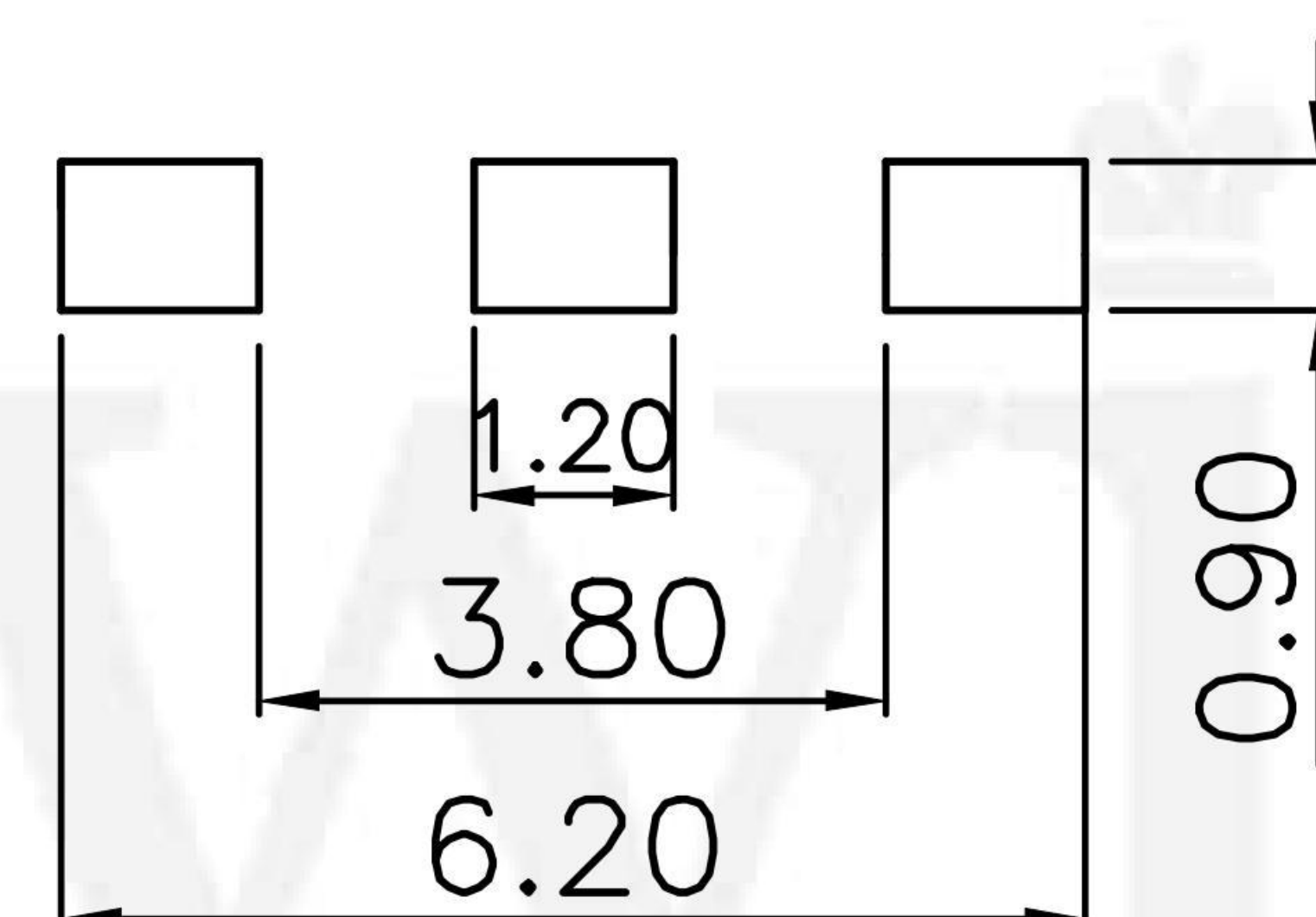
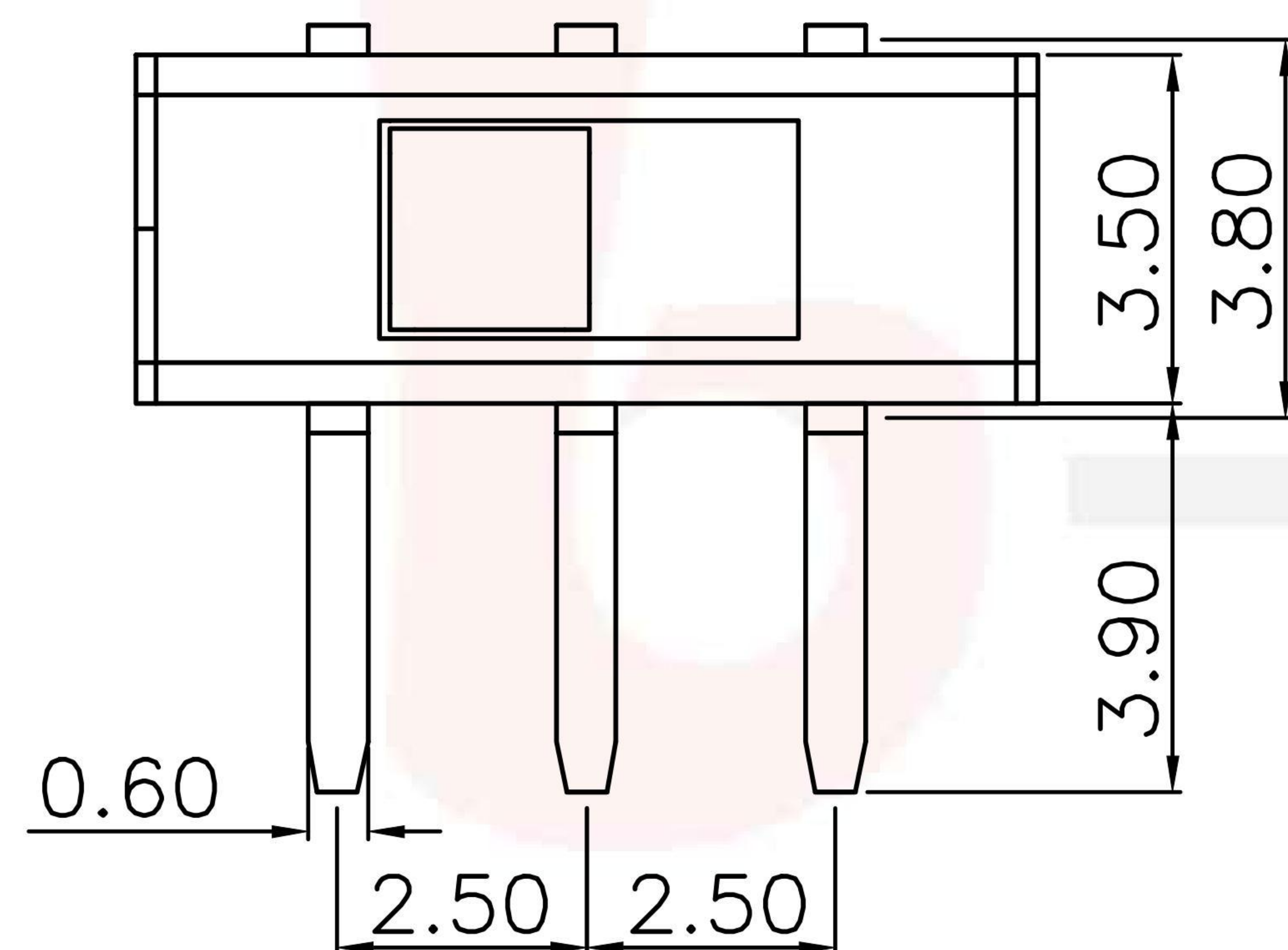
G-Switch P/N

Switch Height (mm)

G015=1.5 G020=2.0

G025=2.5 G030=3.0

G040=4.0



安装图 PLERING PLAN

G-Switch Specification:

Electrical Specifications: DC 12V 0.5A DC 6V 1.0A

Contact Resistance : 100mΩMAX

Insulation Resistance: 100M ohm 100V DC

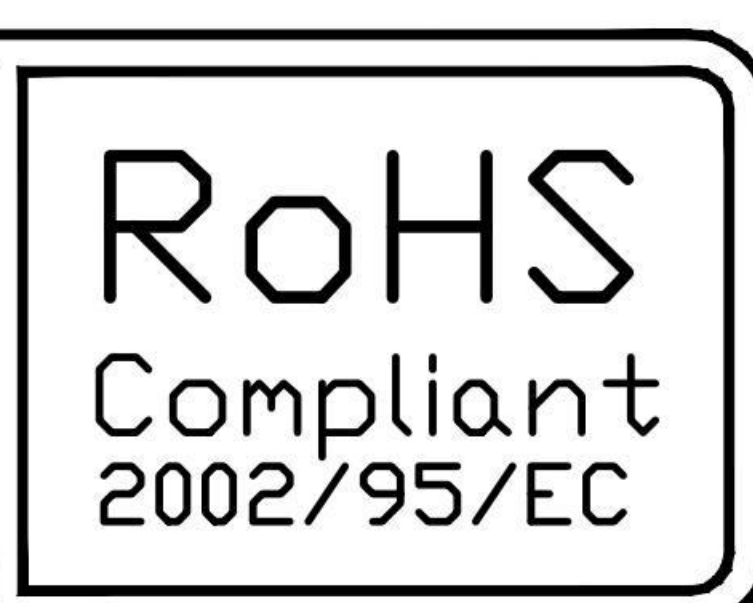
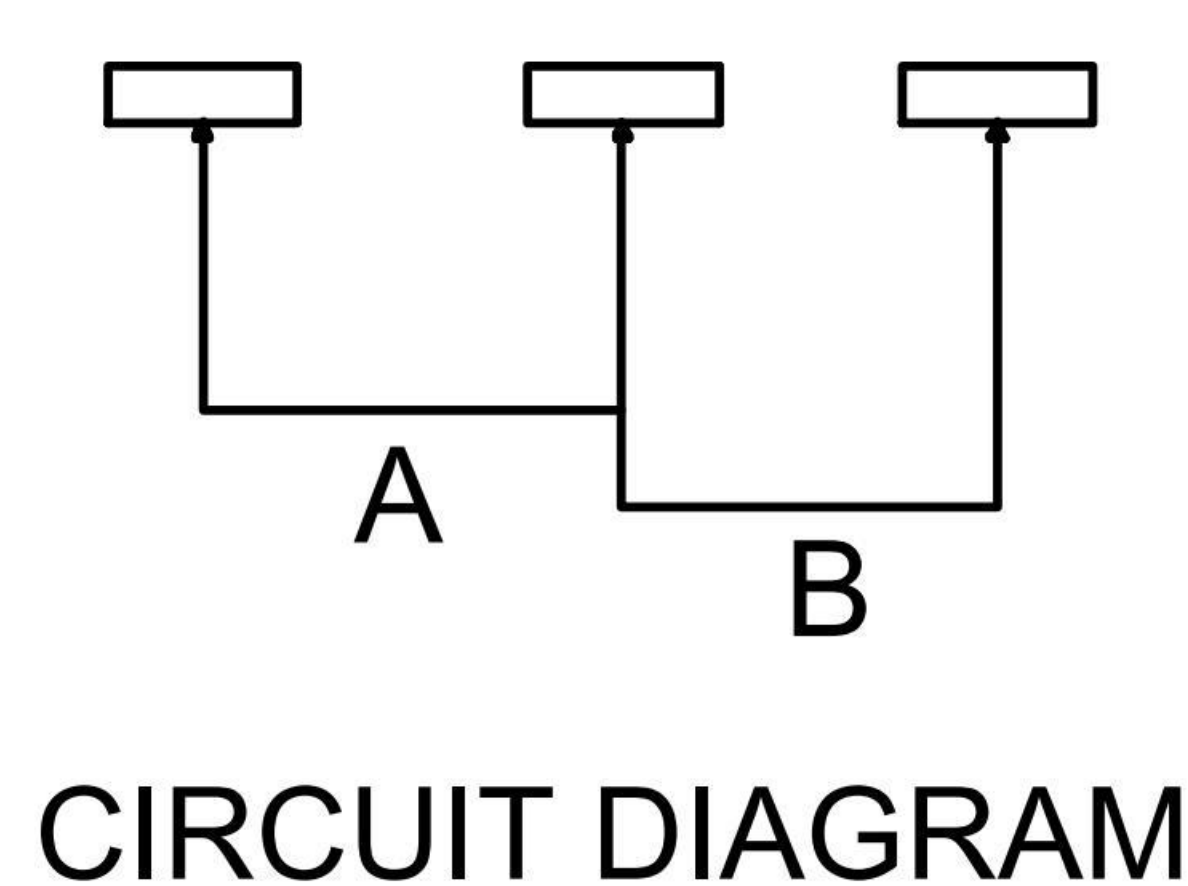
Withstand Voltage: AC 250V for 1 min

Ambient Temperature: -20°C~+70°C

Relative Humidity: (40°C)≤85%

Reflow soldering: 250°C MAX

Life: 10,000 times



G-Switch Electronic (HongKong) CO.,Ltd.

Unless otherwise specified, Tolerance:
 X. ±0.30
 X.x ±0.20
 X.xx ±0.15
 X.xxx ±0.10
 Angles ±3°

DESIGN Yvette Chen DATE 2019.05.29
 CHECKED DATE
 APPROVED DATE
<http://www.dg-switch.com>
 TEL:0769-82388879

Molde code:
MK-12D18-GXXX
 REV.: X1 SCALE: 4:1 UNIT: mm
 SIZE: A4 SHEET: 1/1