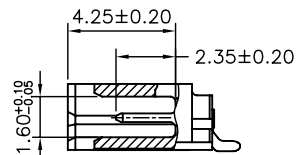
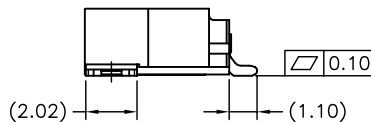
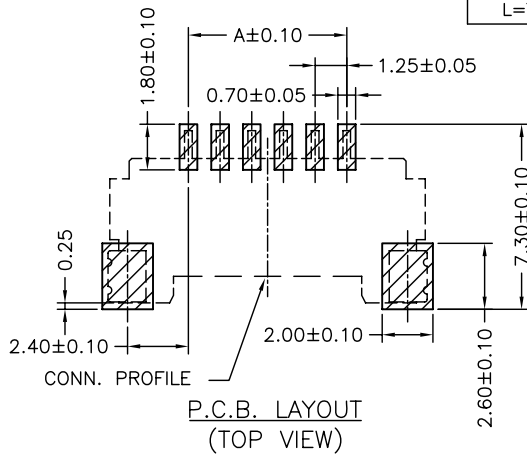
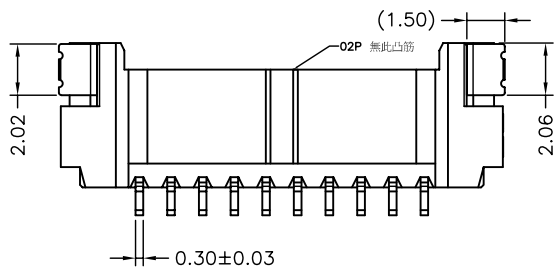
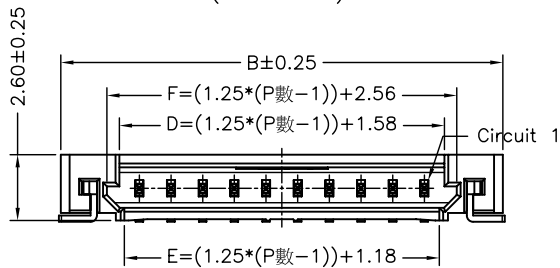
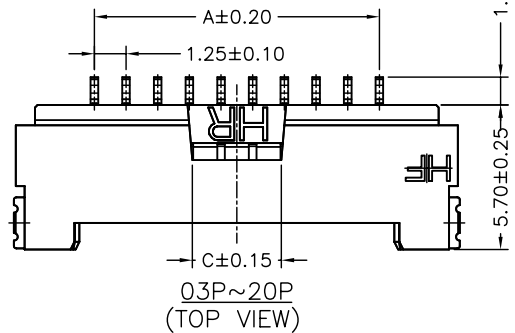


21P~30P
SCALE 0.8:1



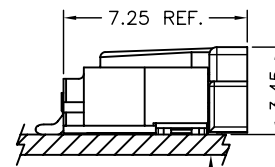
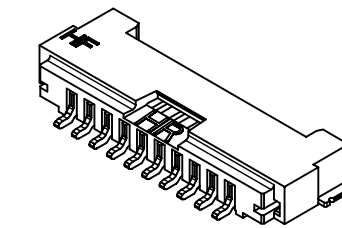
P/N LEGEND

- A1253 WRA-S-XP N X X G1 X 00 X
- ① Series No.
② Connector type: WRA=Right angle A type
③ Mounting type: S=SMT without boss
④ No. of circuits
⑤ N=Halogen Free
⑥ Material: 6=Nylon 6T ; L=LCP
⑦ Color: B=Black ; N=Natural
⑧ Plating code for contacts: T1=Matte Tin-plated; G1=Gold-flash
⑨ Plating code for solder tabs: T=Matte Tin-plated; G=Gold-flash
⑩ Option code: 00=Standard
⑪ Packing code: R=Tape & Reel
L=Tape & Reel(With Mylar)

SPECIFICATIONS

Current Rating: 1A AC,DC
Voltage Rating: 150V AC,DC
Temperature Range: -25°C ~ +85°C
Contact Resistance: 20mΩ Max.
Insulation Resistance: 500MΩ Min.
Withstanding Voltage: 500V AC/minute
Pin Material: Brass/Gold-flash
Solder Tabs: Brass/Gold-flash
Material: Nylon 6T,UL94V-0
Color: Natural

Circuit No.	Dimensions		
	A	B	C
02P	1.25	7.45	3.50
03P	2.50	8.70	3.50
04P	3.75	9.95	3.50
05P	5.00	11.20	3.50
06P	6.25	12.45	3.50
07P	7.50	13.70	3.50
08P	8.75	14.95	3.50
09P	10.00	16.20	3.50
10P	11.25	17.45	3.50
11P	12.50	18.70	5.00
12P	13.75	19.95	5.00
13P	15.00	21.20	5.00
14P	16.25	22.45	5.00
15P	17.50	23.70	5.00
20P	23.75	29.95	5.00
25P	30.00	36.20	6.00
30P	36.25	42.45	6.00

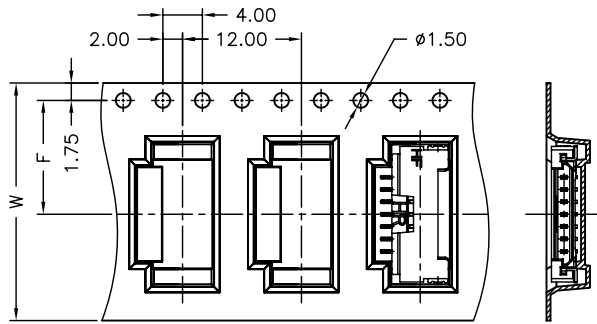


MATED CONDITION PCB

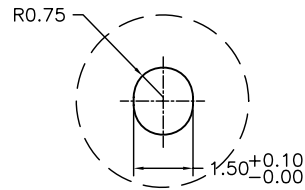
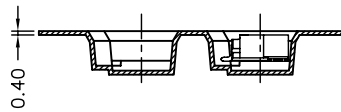
				燦達電子工業股份有限公司 JOINT TECH ELECTRONIC IND. CO., LTD.			
				UNIT	SCALE	SHEET	TITLE:
				mm	1 : 1	1 of 2	
				DRAWN BY		APPROVED BY	
				陳敏		董正一	
				2011.02.17		2011.02.17	
				GENERAL TOLERANCE			
				X. X±0.25		ANGLE±	
				X. XX±0.15			
				X. XXX±0.05			
A3	EN1609220001	2016.09.22	周傑亮	DRAW NO.: A1253WRA-S-XPNXXXXXXXXX REV. A3			
A2	EN1305220163	2013.04.23	周傑亮				
A1	EN1303010062	2013.01.03	周傑亮				
A0	NEW RELEASE	2011.02.17	陳敏				
REV.	DESCRIPTION	DATE	NAME				



02~07 Contacts

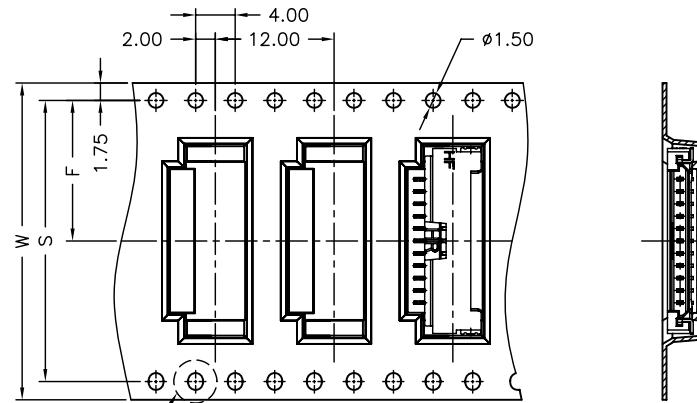


Unreeling direction →

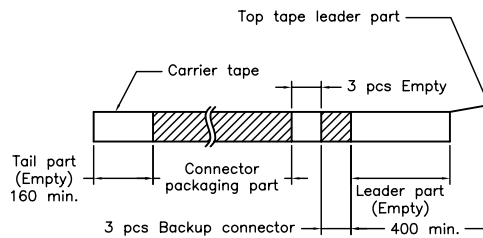
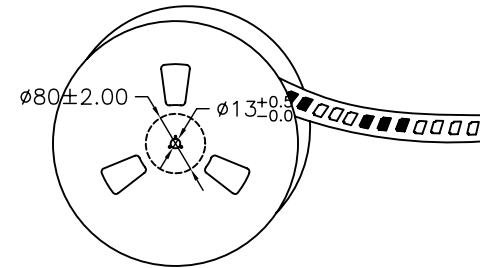
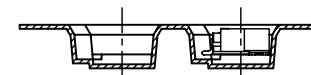


SCALE 4:1
DETAL A

08~30 Contacts



Unreeling direction →



Number of Contacts	W±0.3	F±0.1	S±0.1	Q'ty/Reel
02P	16	7.50		1,000
03P	24	11.50		1,000
04P	24	11.50		1,000
05P	24	11.50		1,000
06P	24	11.50		1,000
07P	24	11.50		1,000
08P	32	14.20	28.40	1,000
09P	32	14.20	28.40	1,000
10P	32	14.20	28.40	1,000
11P	32	14.20	28.40	1,000
12P	32	14.20	28.40	1,000
13P	44	20.20	40.40	1,000
14P	44	20.20	40.40	1,000
15P	44	20.20	40.40	1,000
20P	44	20.20	40.40	1,000
25P	56	26.20	52.40	1,000
30P	56	26.20	52.40	1,000

NOTE:
Material:Transparent
Anti-static Polystyrene.

REV.	DESCRIPTION	DATE	NAME	UNIT	SCALE	SHEET	TITLE:
A3	EN1609220001	2016.09.22	周傑亮	mm	1:1	2 of 2	1.25mm PITCH 90° WAFER-SMT TYPE, WITHOUT BOSS TAPING SPEC.
A2	EN1305220163	2013.04.23	周傑亮				
A1	EN1303010062	2013.01.03	周傑亮				
A0	NEW RELEASE	2011.02.17	陳敏	X.X±0.25		ANGLE±	
REV.	DESCRIPTION	DATE	NAME	X.XX±0.15			
				X.XXX±0.05			

燦達電子工業股份有限公司
 JOINT TECH ELECTRONIC IND. CO., LTD.

UNIT SCALE SHEET
 mm 1:1 2 of 2
 DRAWN BY 陳敏
 APPROVED BY 董正一
 2011.02.17 2011.02.17
 GENERAL TOLERANCE
 X.X±0.25 ANGLE±
 X.XX±0.15
 X.XXX±0.05

TITLE:
 1.25mm PITCH
 90° WAFER-SMT TYPE,
 WITHOUT BOSS
 TAPING SPEC.
 DRAW NO.: A1253WRA-S-XPNXXXXXXXXX
 REV. A3