

CAS-2000 Comprehensive Application System

Compact High Density Remote Test Unit



Key Features

- Up to 16 simultaneous DS1 tests from a DS3 interface on a Digital Crossconnect System (DSC) or Test Access Unit (TAU)
- Supports 2 DS3 FAD or Dual FAD interfaces to access up to two DCS connections
- Simultaneous test capacity scalable in increments of 2 or 8 tests
- IP communication link for central office wide area networks or X.25 communication link for legacy data communication systems
- Remote software download capabilities, eliminating the need for on-site visits
- Onboard FLASH Hard Disk memory (optional) and network backup (no floppy or tape drives) for increased system reliability
- Scalable serving as an administration shelf for up to 8 additional T3AS shelves in any combination: supports up to 48 DS3s, 1120 DS1s or 448 DS1 test from multiple DCSs/TAUs
- Operates under a variety of OSSs and supports a wide range of DCS and test access devices

Keeping in step as telecommunication networks evolve, yet operating under strict capital expense limits is a challenge to today's service providers. Maintaining quality services at the lowest cost adds to this challenge. Service providers must attract new clients, sustain existing, and roll out new services by minimizing service provisioning times and mean time to repair (MTTR). Key to this is offering rapid and efficient service provisioning and troubleshooting. To succeed, providers must balance all these factors to ensure the highest customer satisfaction. JDSU's CAS-2000 provides a solution to help providers meet these challenges.

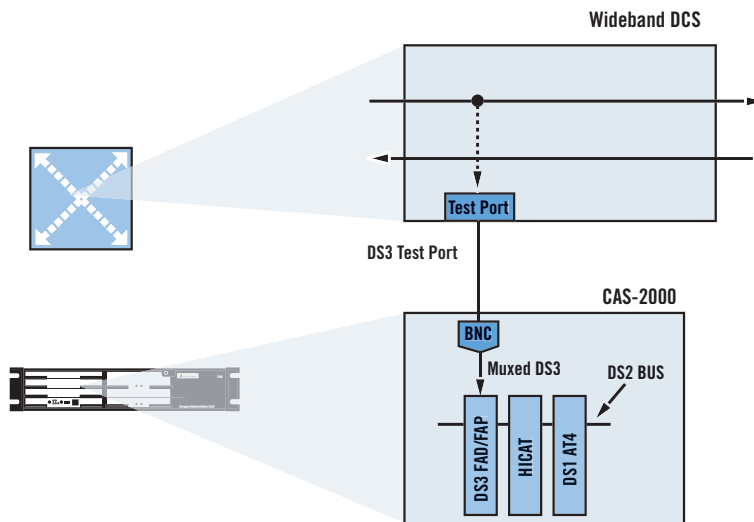
JDSU has extended the capabilities of its T3AS Test and Performance Monitoring System to bring service providers a compact, low cost, high density entry level solution for managing digital services through the next generation of edge elements. CAS-2000 allows for a compact yet high density entry level DS1 test configuration at the lowest possible price while still enabling full expansion into any DS3/1/0 application. This combined with the capacity of expansion shelves, the CAS-2000 offers the best of both worlds – minimal upfront investment for an entry level configuration while enabling the user to expand without having to reinvest in additional common equipment. The low cost and high density also makes it the ideal solution for the emerging edge based DS1 remote test market as well providing remote test coverage at multi-service provisioning platforms ("MSPP") and small DCS/ADMs for test access. CAS-2000 is the Comprehensive Application System meeting today's service provider challenges.

2

Your CAS-2000 Performance Monitoring System is a comprehensive platform for remotely testing and monitoring existing and next-generation networks. It has been designed to support a multitude of applications at both digital cross-connect (DCS) and non-DCS locations. The CAS-2000 can act as a stand-alone system or as the administration shelf, providing the central processing and communications interfaces to the test access element and test operations system for up to eight other shelves.

Depending on the application, you can employ multiple shelves and subsystems in a variety of configurations. When used with T1 administration links deployed between the base T3AS and the remote shelves, the cost of one centralized administration shelf can be amortized over multiple shelves. T1 administration links can, however, be difficult to implement and expensive to maintain.

The CAS-2000 alleviates this issue. Its much smaller size and lower cost make it economically feasible to deploy as a stand-alone or with stand-alone shelves, eliminating the need to implement complicated and costly T1 administration links for remote testing and monitoring. Therefore, you can use these available T1 circuits to support customer services for added revenue.



The CAS-2000 compact size, high density and low cost makes it cost effective to deploy as a stand-alone shelf for remote test access.

3

DS3 Test Access Capabilities

The CAS-2000 supports DS1 testing from a 3/1 Wideband DCS. The system supports two single Facilities Access Digroup (FAD) or Dual FAD interfaces providing full support for monitor and split access for up to two DS3s per stand-alone configuration. Additional access capability can be provided using additional subassemblies.

DS 1 Testing Capabilities

Optimal DS1 testing capability is provided in a compact solution. The CAS-2000 supports up to 16 single FAD or 14 Dual FAD DS1 tests. The HiCAT module provides single or dual FAD testing of up to eight (8) signals. The DS1 Access/Test (AT) module provides two (2) single or dual DS1 tests per module. Up to two modules may be added to provide continuous non-intrusive performance monitoring. Additional test capability can be provided using additional subassemblies.

IP connectivity

The CAS-2000 provides IP connectivity while preserving X.25 communications, which allows service providers to migrate easily to a central office WAN configuration that meets their budget and schedule.

Remote software downloads

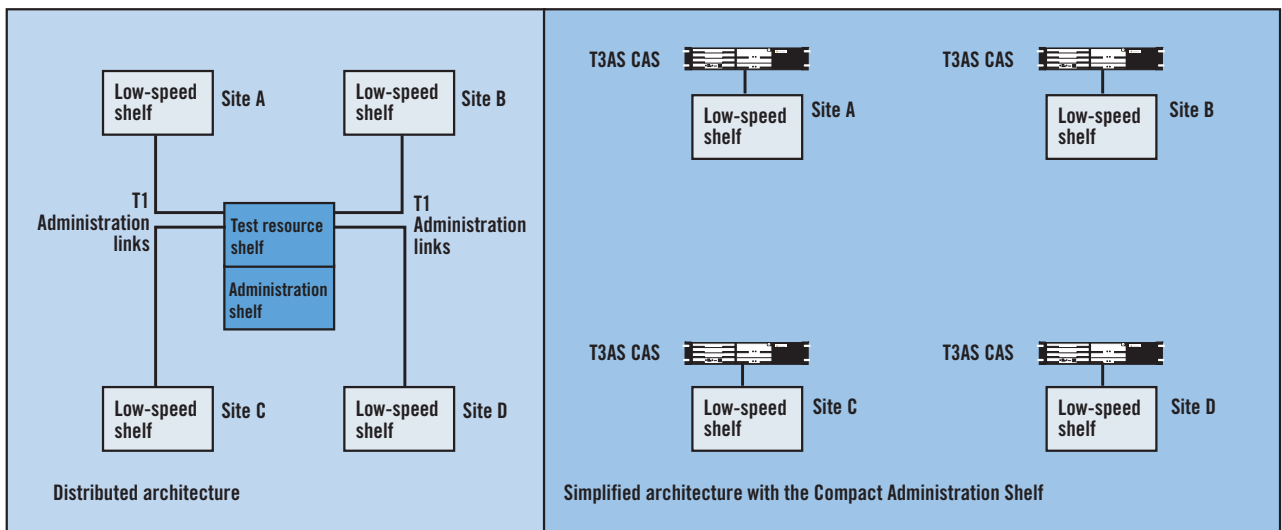
With the CAS-2000 remote software download functionality, technicians no longer need to visit local sites to upgrade each system. This capability greatly reduces field support costs and allows rapid deployment of T3AS features and enhancements.

Scalability

Once installed the CAS-2000 based DS1 entry level solution can be fully expanded to support up to 8 additional T3AS shelves in any combination for DS3/1/0 DCS/TAU based testing or DS3/1 in-line test. The CAS-2000 has a common OSS and EMS interface for up to 8 additional T3AS shelves in any combination.

Reduced space requirement

The CAS-2000 is a compact 2U high shelf. The shelf is self-contained including a power supply, processor and utility module and 3 slots for adding test and interface modules.



The CAS-2000 is cost-effective to deploy with stand-alone shelves (shown in figure 1), eliminating the need to implement complicated and costly T1 administration links.

Technical specifications

Electrical interfaces

Async/sync ports:	2 async/sync, 4 async
Craft ports:	1 async admin port (DB9) and 1 debug port (RJ-45)
Ethernet/IP:	One RJ-45 (10/100 auto-detect), rear panel and one craft interface front access
Expansion:	Five port hub with four RJ-45 network ports and one network/WAN port
Clock:	BITS clock interface (auto failover to internal Stratum 4 clock source)

Power

Nom. operating voltage:	-48 VDC
Oper. voltage range:	-60.0 to -40 VDC
Heat dissipation:	Passive, convection cooled

Mechanical

Compact admin shelf:	3.5" H x 21.3" W x 12" D
Plenum baffle:	3.5" H x 21.3" W x 12" D
Racks supported:	23"

Environmental

NEBS:	Meets or exceeds NEBS Level 3
-------	-------------------------------

Order information

Model number	Description
01-0109-0100	CAS-2000 Package
01-0109-01SD	CAS-2000 Package w/Flash Drive
02-0140-0200	DS3 FAD/FAP Interface Module
02-0274-0100	High Capacity Test (HiCAT) Module
02-0104-0400	DS1 Access/Test (AT-4) Module

All statements, technical information and recommendations related to the products herein are based upon information believed to be reliable or accurate. However, the accuracy or completeness thereof is not guaranteed, and no responsibility is assumed for any inaccuracies. The user assumes all risks and liability whatsoever in connection with the use of a product or its application. JDSU reserves the right to change at any time without notice the design, specifications, function, fit or form of its products described herein, including withdrawal at any time of a product offered for sale herein. JDSU makes no representations that the products herein are free from any intellectual property claims of others. Please contact JDSU for more information. JDSU and the JDSU logo are trademarks of JDS Uniphase Corporation. Other trademarks are the property of their respective holders. ©2007 JDS Uniphase Corporation. All rights reserved. 30137247 501 0707 CAS2000.DS.ACC.TM.AE

Test & Measurement Regional Sales

NORTH AMERICA TOLL FREE: 1 866 228 3762 FAX: +1 301 353 9216	LATIN AMERICA TEL: +55 11 5503 3800 FAX: +55 11 5505 1598	ASIA PACIFIC TEL: +852 2892 0990 FAX: +852 2892 0770	EMEA TEL: +49 7121 86 2222 FAX: +49 7121 86 1222	WEBSITE: www.jdsu.com
---------------------------------------------------------------------------	------------------------------------------------------------------------	-------------------------------------------------------------------	---------------------------------------------------------------	----------------------------------------------------------------