

Model:LN114-1.5

Characteristics:

It is used for switching power supply, suppressing common mode interference signal.

Technical index:

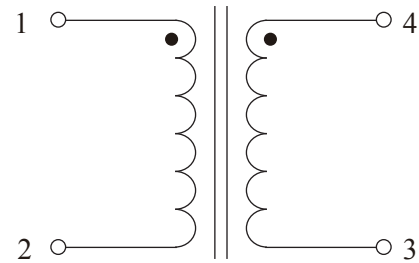
- Installation method: PCB
- Flame resistance: UL94-V0
- Operating temperature: -20°C ~ +100°C
- Storage temperature: -20°C ~ +100°C
- Frequency range: DC ~ 1KHz
- Dielectric strength: 1.5KV/1min (between two coils)
4KV/1min (between coil & shell)



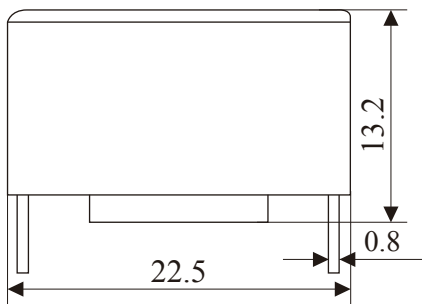
Electrical parameters:

Rated current	1.5	A
Inductance 1KHz,0.3V	6.8	mH
Inductance error	-30 ~ +50	%
DC resistance	130	mΩ
Maximum operating voltage	250	V
Permissible inrush current	20 times of rated current(ms)	
Weight	10	g

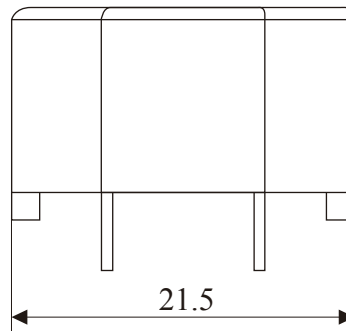
Schematic wiring diagram:



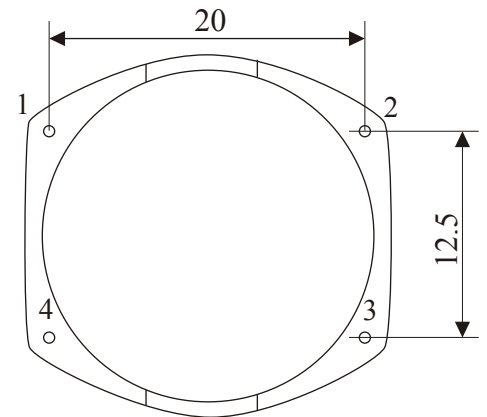
Dimensions(in mm):



Front View



Side View



Bottom View