

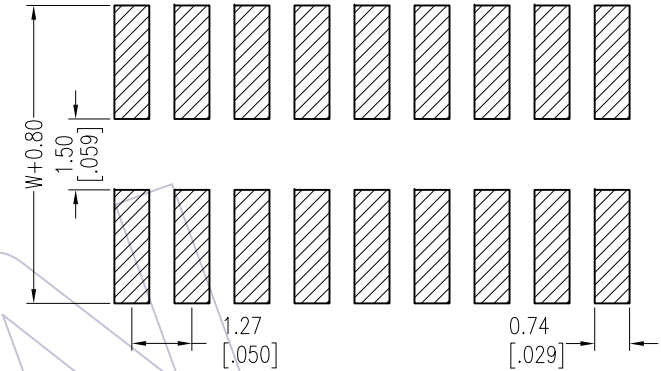
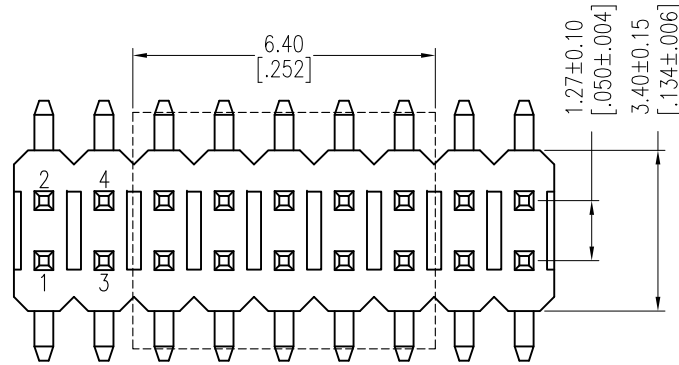
HSF

NOTES:

Rated Current:1.0AMP.
 Contact Resistance:20mΩ Max.
 Withstand Voltage:500V AC/DC
 Insulation Resistance:1000MΩ Min.
 Operation Temperature:-40°C to +105°C

Contact Material:Brass
 Contact Plating:Au or Sn Over Ni
 Insulator Material:PA9T+33%G.F UL94V-0 BK

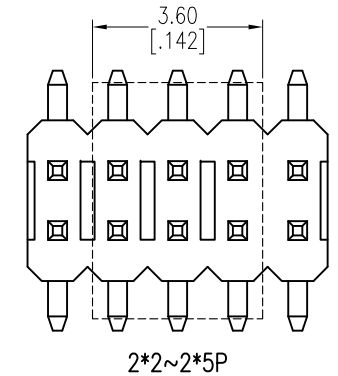
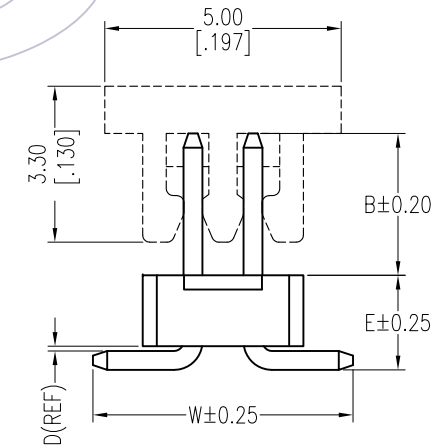
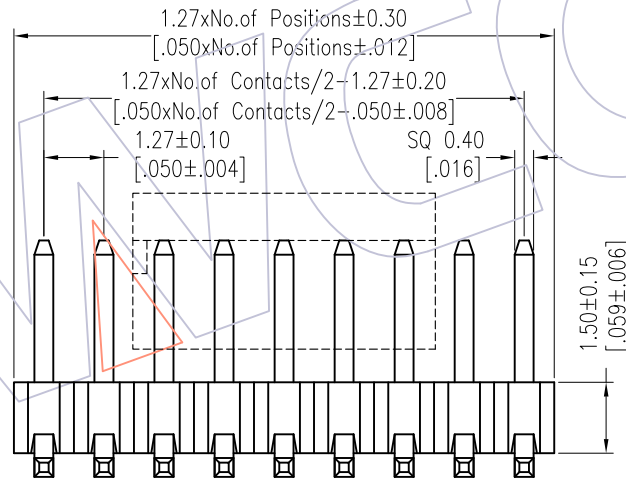
Recommended P.C.B Layout (Top Side)
 (PCB BOARD TOLERANCE±0.05)



Ordering Information

1315-12 XX XX M XXX C R XX

No. of Pins Per Row:02~50	Contact Plating G0=Gold Flash G3=10u"Gold G4=15u"Gold G5=30u"Gold S0=Gold Flash/Tin S3=10u"Gold/Tin S4=15u"Gold/Tin S5=30u"Gold/Tin SN=Tin SM=Matte Tin	Pin Length L=B+D+1.5+ $\frac{W-1.27}{2}$ Standard:056=5.6 067=6.7 077=7.7	Insulator C=PA9T	Series No. 01~99	Packing A=Tray T=Tube P=Tube+CAP R=Tape&Reel+CAP
------------------------------	---	---	---------------------	---------------------	--



Item	Pin Length	W	E	B	Mating
Standard	5.6	5.50	2.00	1.90	2321
	6.7	5.50	2.00	3.00	2334
	7.7	5.50	2.00	4.00	2344
Alternate					

REV	DATE	MODIFICATION DESCRIPTION	CHANGE	OPERATION	DRAW	DATE	SCALE	Fit	PART NO.
A2	2018/01/15	MODIFY PART NO.	-----	x.X ±0.40	William Chen	2018/01/15	UNIT	mm [inch]	1315-12XXXXMXXXCXXX
A1	2015/01/03	Mofidy Drawing	-----	x.XX ±0.25	CHECK	DATE	SIZE	A4	TITLE:
A0	2012/03/15	NEW	-----	x.XXX ±0.15	APPROVE	DATE	SHEET	1/1	1.27 Pin Header, DUAL ROW, SMT, H=1.5
				Angle ± 3'			PROJ.		Customer NO.
				DIM TOL					

WCON
 Http: www.wcon.com

WCON-Dongguan Tel: +86 769 85358920 Fax: +86 769 85358915 E-mail: sales@wcon.com	WCON-Kunshan Tel: +86 512 57468408 Fax: +86 512 57468468 E-mail: salesks@wcon.com
---	--