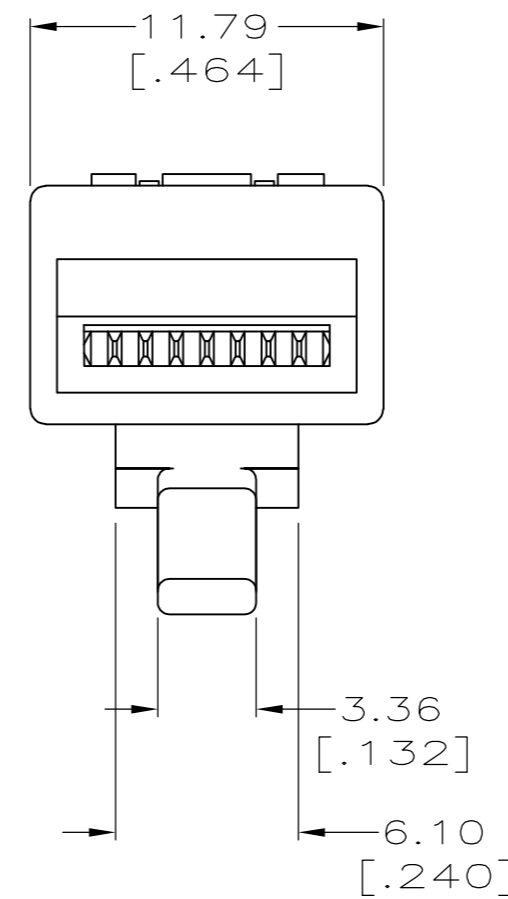
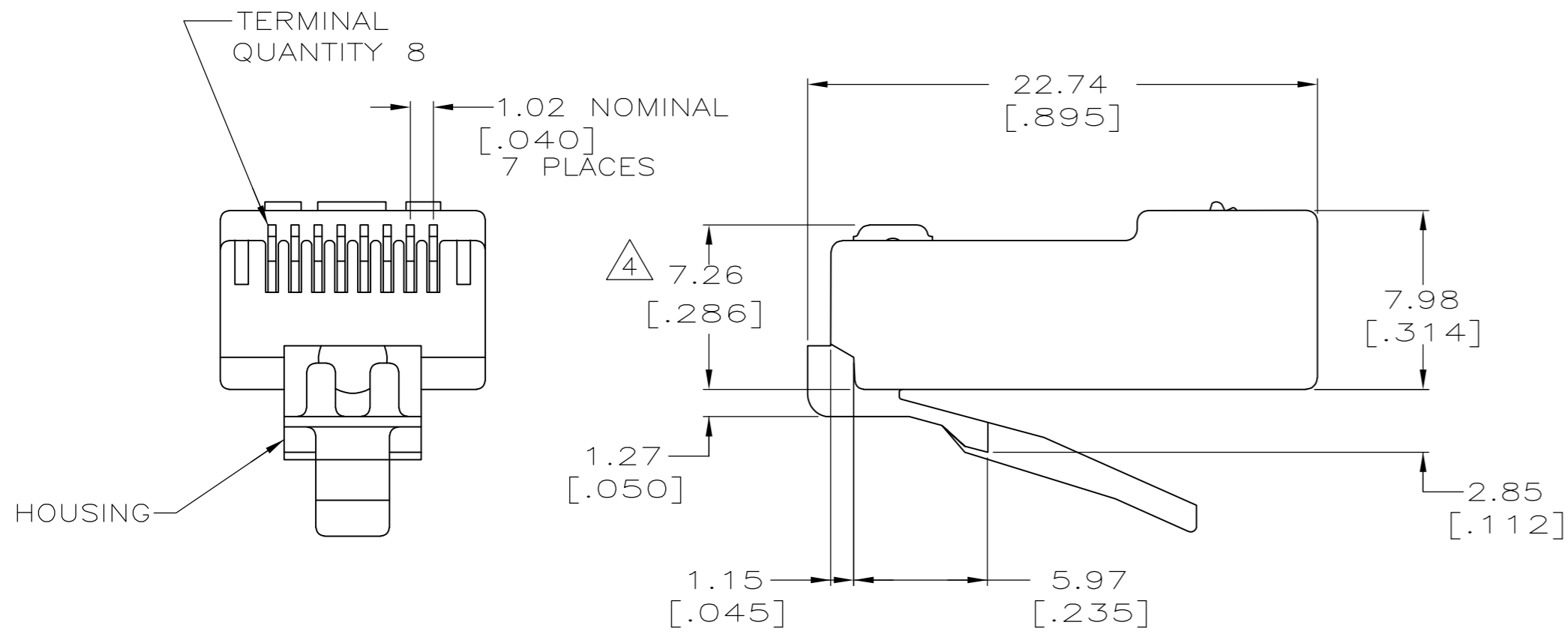
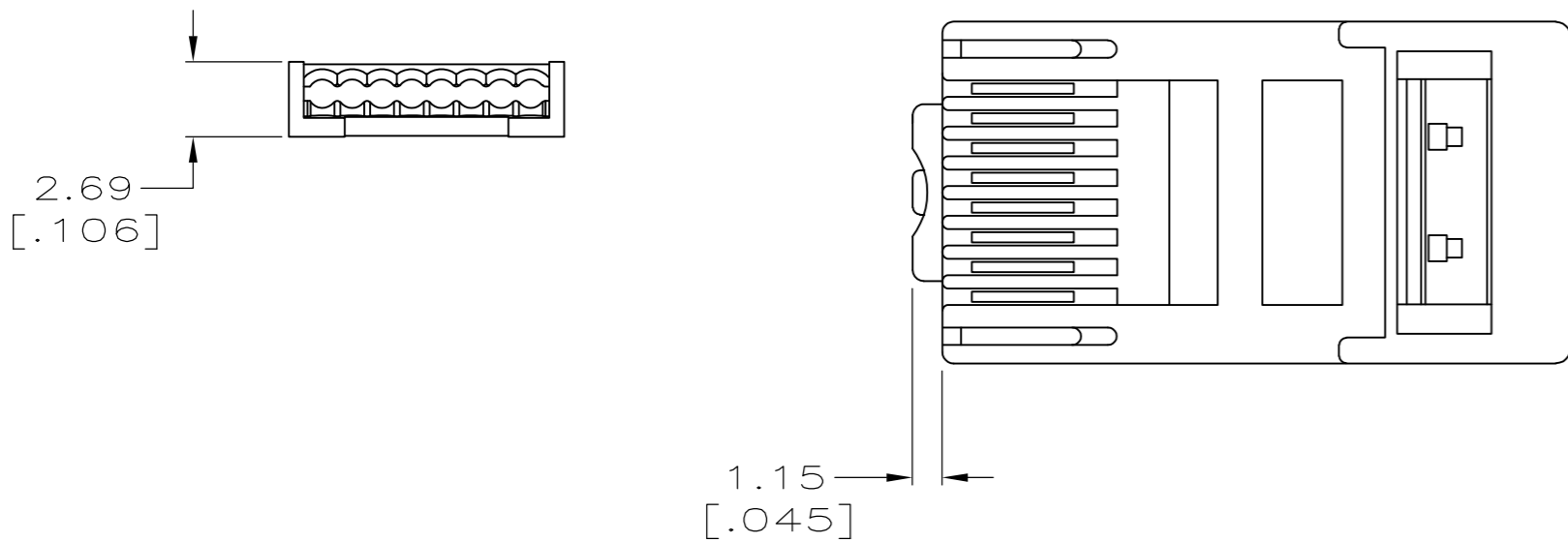
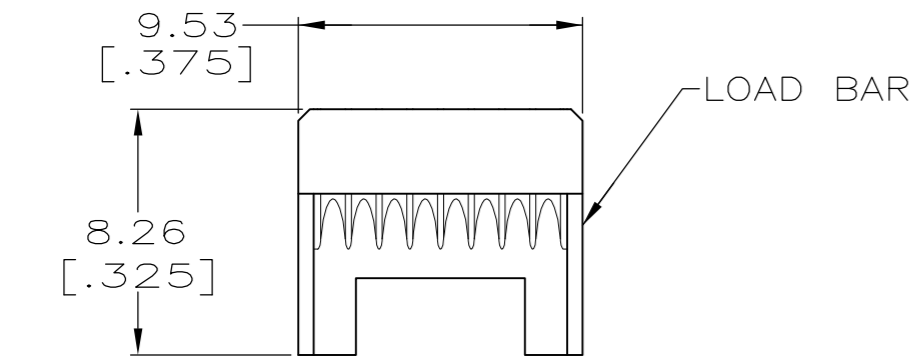


THIS DRAWING IS UNPUBLISHED. RELEASED FOR PUBLICATION
 © COPYRIGHT - By - ALL RIGHTS RESERVED.

LOC		DIST		REVISIONS			
P	LTR	DESCRIPTION		DATE	DWN	APVD	
HM	00	G		REVISED PER ECO-13-015339	04OCT2013	JB	JG



1 MATERIAL:
 HOUSING - 94V-0 RATED POLYCARBONATE, CLEAR.
 TERMINAL - 0.36[.014] THICK PHOSPHOR BRONZE PLATED WITH 1.27 μ m[.000050] MINIMUM THICK GOLD IN LOCALIZED AREA OVER 2.54 μ m[.000100] MINIMUM THICK NICKEL UNDERPLATE.
 LOAD BAR - PBT POLYESTER, BLACK.

2 DIMENSIONS ARE MAXIMUM UNLESS OTHERWISE SPECIFIED.

3. PLUG WILL ACCEPT A 24,26 OR 28 AWG SOLID CONDUCTOR, PROVIDED THE INSULATED CONDUCTOR DIAMETER IS 0.89[.035] TO 0.99[.039]; WITH AN UNSHIELDED, PLIABLE, LOOSE CABLE JACKET OF 4.83[.190] TO 5.59[.220] DIAMETER OR AN UNSHIELDED, RIGID, HARD CABLE JACKET OF 4.83[.190] TO 5.08[.200] DIAMETER.

4 TERMINATED DIMENSION 6.15[.242] MAXIMUM.

5 500 ASSEMBLIES AND 500 LOAD BARS PER PACKAGE.

6 100 ASSEMBLIES AND 100 LOAD BARS PER PACKAGE.

8 10,000 ASSEMBLIES AND 10,000 LOAD BARS PER PACKAGE.

9. UL RECOGNIZED: FILE NUMBER E81956.

6	5-569278-3
5	5-569278-2
8	5-569278-1
PACKAGED	PART NUMBER

DIMENSIONS:		TOLERANCES UNLESS OTHERWISE SPECIFIED:		DWN		5-22-95	
mm		0 PLC	± -	DL DRUMMOND	5-22-95	TE Connectivity	
		1 PLC	± -	CHK	5-22-95	E. LAURER	
		2 PLC	± -	D. AHERON	5-22-95	APVD	
		3 PLC	± -	E. LAURER	5-22-95	NAME	
		4 PLC	± -	PRODUCT SPEC		MODULAR PLUG ASSEMBLY, 8 POSITION, ROUND CABLE, SOLID WIRE	
		ANGLES	± -	APPLICATION SPEC		SIZE	CAGE CODE
		FINISH	± -	WEIGHT	-	A2	00779
				CUSTOMER DRAWING		DRAWING NO	RESTRICTED TO
						C=569278	-
						SCALE	SHEET
						4:1	1 of 1
							REV
							G