

RoHS Compliant

# COAXIAL CONNECTORS

2008

CAT.NO.COAX-007A-E.FEB.2008



COAXIAL  
CONNECTORS

**Japan Aviation Electronics Industry, Ltd.**

- FREQUENCY RANGE TO 3GHz
- PUSH-ON COUPLING

## CN10 Series

CN10 series connectors are a low cost version designed with stamped parts. For board to cable application, achieving high frequency signal transmission and high density packaging inside equipment.

Applicable frequencies : from DC up to 3GHz. High performance with a VSWR (voltage standing wave ratio) of 1.2 or less.

- Push-on coupling, Compact and lightweight.
- Low profile with a mated height of 9 mm or less when a right-angle plug and a straight receptacle are used.
- Lightweight, compact in size and rugged construction.
- A high degree of reliability provides stable electric continuity and high frequency performance.
- Applications : Automobile Telephones, Communications Equipment, Measuring Instruments



### SPECIFICATIONS

Characteristic Impedance	50 $\Omega$ (Note)
Frequency Range	DC to 3GHz
D. W. Voltage	AC200Vr.m.s. (1minute)
Insulation Resistance	500 megohms min. (DC250V)
Contact Resistance	Center Contacts : 8 milliohms max. Outer Contacts : 8 milliohms max.
V. S. W. R.	1.2 max. (DC to 3GHz)
Applicable Cables	0.8D-W, 1.5D-V, 1.5D-W, 2.5D-V

(Note) Possible to use 75  $\Omega$  cable. For details, please consult us.

### MATERIALS/FINISHES

Description	Materials/Finishes
Contacts	Copper Alloy/Gold Plated over Nickel
Insulator	PTFE or PFA
Body/Shell	Copper Alloy/Nickel Plated

For the cable application type, harnessed connectors which satisfy your specification are supplied.

We can also provide connectors and cables other than those listed in this catalog. For details, please consult us.

# CN10 Series

## TYPES AND COMBINATIONS

### Receptacle

●Through-hole Solder · Straight  
P/N : CN10-RP-M-0



●Through-hole Solder · Right-angle  
P/N : CN10-RRP\*-M-0-R



●Bulkhead · Straight  
P/N : CN10-RB-M-0-R



### Cable Harness

●Straight · Cable Assembly



●Right-angle · Cable Assembly



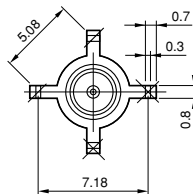
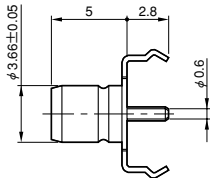
RECEPTACLE

Through-hole Solder Type · Bulkhead Type

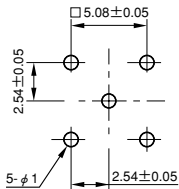
Interchangeable with PLUG CABLE ASSEMBLY (66 Page)

Dimensions in millimeters

Through-hole Solder · Straight  
Part Number : CN10-RP-M-0



PC BOARD LAYOUT · MOUNTING SIDE (REF.)  
(PC BOARD THICKNESS : 1.6mm)

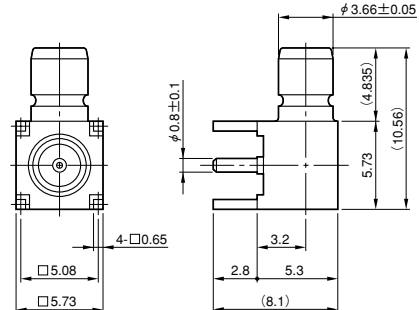
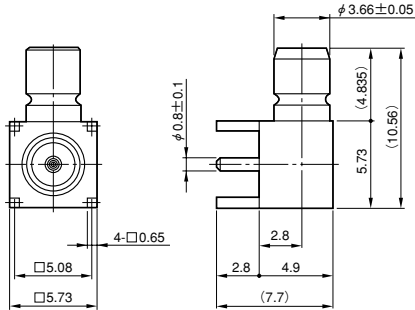


Through-hole Solder · Right-angle  
Part Number : CN10-RRP-M-0-R  
CN10-RRP4-M-0-R

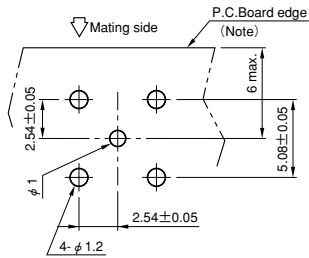


[CN10-RRP-M-0-R]

[CN10-RRP4-M-0-R]

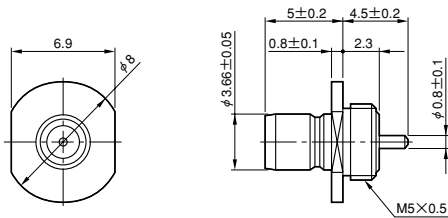


PC BOARD LAYOUT · MOUNTING SIDE (REF.)

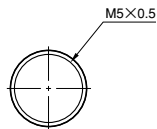


(Note) For combination of right-angle plug & right-angle receptacle, please be careful to preserve the distance between the p.c.board edge and the receptacle mounting location.

Bulkhead · Straight  
Part Number : CN10-RB1-M-0-R



PANEL MOUNTING HOLE PATTERNS (REF.)  
(PANEL THICKNESS : 1.5 to 2.3mm)



# CN10 Series

## PLUG

Interchangeable with RECEPTACLE (65 Page)

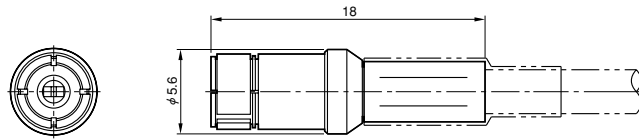
Dimensions in millimeters

For Cable application type, harnessed connectors which satisfy your specification are supplied. For details please consult us.

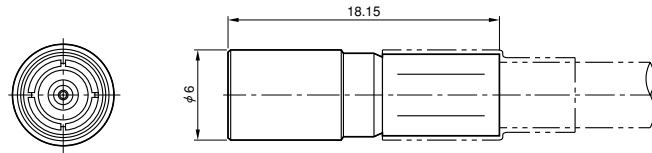
### ■ Straight · Cable Assembly



● Applicable Cables : 0.8D-2W / 1.5D-2V / 1.5D-2W Equivalent



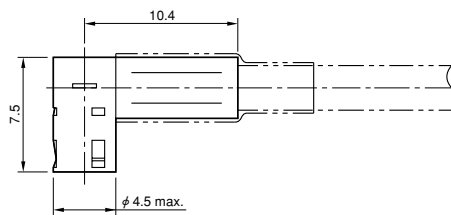
● Applicable Cables : 2.5D-2V Equivalent



### ■ Right-angle · Cable Assembly



● Applicable Cables : 0.8D-2W / 1.5D-2V / 1.5D-2W Equivalent



---

## Before placing an order

- ①The values specified in this catalogue are only for reference. The products and specifications are subject to change without notice. Contact our sales staff for further information before considering or ordering any of our products. For purchase, a product specification must be agreed upon.
- ②Users are requested to provide protection circuits and redundancy circuits to ensure safety of the equipment, and sufficiently review the suitability of JAE's products to the equipment.
- ③The products presented in this catalogue are designed for the uses recommended below. We strongly suggest you contact our sales staff when considering use of any of the products in any other way than the recommended applications or for a specific use that requires an extremely high reliability.

### (1)Applications that require consultation:

- (i)Please contact us if you are considering use involving a quality assurance program that you specify or that is peculiar to the industry, such as:  
Automotive electrical components, train control, telecommunications devices (mainline), traffic light control, electric power, combustion control, fire prevention or security systems, disaster prevention equipment, etc.
- (ii)We may separately give you our support with a quality assurance program that you specify, when you think of a use such as:  
Aviation or space equipment, submarine repeaters, nuclear power control systems, medical equipment for life support, etc.

### (2)Recommended applications include:

Computers, office appliances, telecommunications devices (terminals, mobile units), measuring equipment, audiovisual equipment, home electric appliances, factory automation equipment, etc.

## **Japan Aviation Electronics Industry, Limited**

1-19, Aobadai 3-chome, Meguro-ku, Tokyo 153-8539, Japan  
Telephone: (81)3-3780-2768 Facsimile: (81)3-3780-2883

<http://www.jae.com>

<http://www.jae-connector.com>

---

### **JAE Electronics, Inc.**

142 Technology Drive, Suite 100 Irvine, California 92618-2430, U.S.A.  
Telephone: (1)949-753-2600 Facsimile: (1)949-753-2699  
(800)JAE-PART (523-7278) Toll free in U.S.A. except in California and Alaska

---

### **JAE Europe, Ltd.**

Coliseum Business Center, Riverside Way, Camberley, Surrey GU15 3YL, U.K.  
Telephone: (44)1276-404000 Facsimile: (44)1276-404010

---

### **JAE Taiwan, Ltd. <Taipei Branch Office>**

4F-1, No.88, Sec.2, Chung Hsiao E.Rd., Taipei, Taiwan, R.O.C.  
Telephone: (886)2-2396-7676 Facsimile: (886)2-2392-5929

---

### **JAE Hong Kong, Ltd.**

Suites 1407-11,14/F., Tower2, The Gateway, 25 Canton Road,  
Tsimshatsui, Kowloon, Hong Kong  
Telephone: (852)2723-7782 Facsimile: (852)2723-9028

---

### **JAE Shanghai Co., Ltd.**

RM1407, Shanghai Mart 2299 Yanan Road (West) Shanghai, 200336 P.R.C.  
Telephone: (86)21-6236-0322 Facsimile: (86)21-6236-1292

---

### **JAE Singapore Pte Ltd.**

33 Tannery Lane, #02-01 Hoesteel Industrial Building, Singapore 347789  
Telephone: (65)6748-1332 Facsimile: (65)6748-2920

---

### **JAE Korea, Inc.**

1602, City Air Tower, 159-9, Samsung-dong, Gangnam-gu, Seoul, 135-973 Korea  
Telephone: (82)2-551-8959 Facsimile: (82)2-551-8958

---

