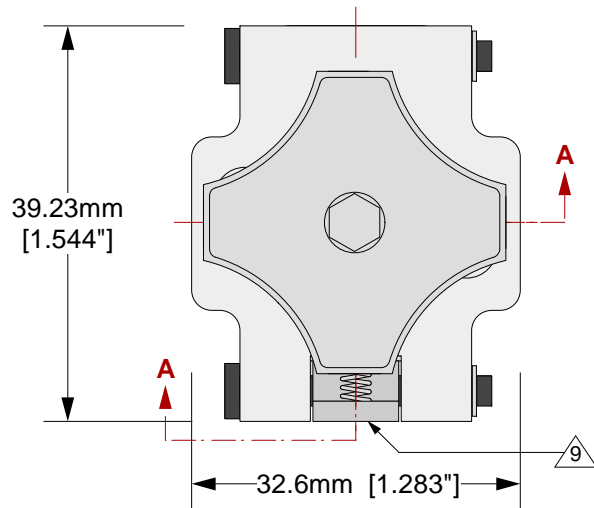
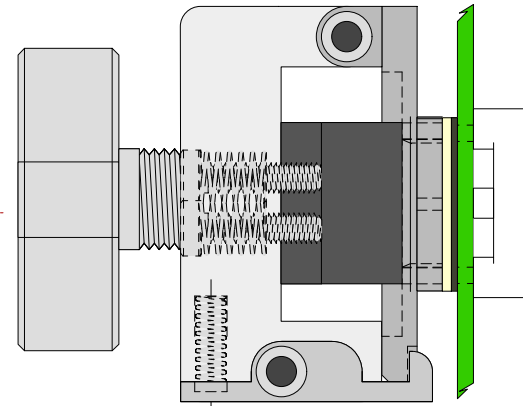
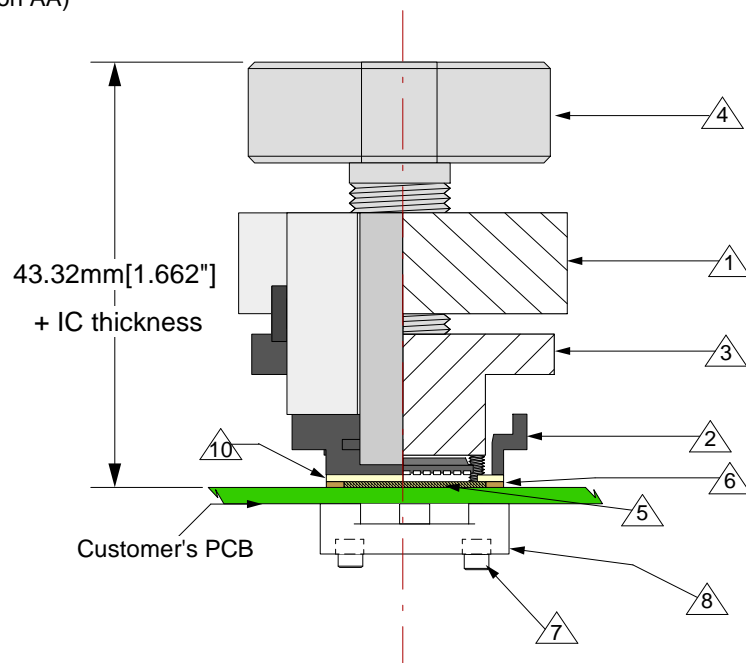


Top View



Side View
(Section AA)




Features

- Directly mounts to target PCB (needs tooling holes) with hardware
- Minimum real estate required
- Compression plate distributes evenly
- Clamshell lid

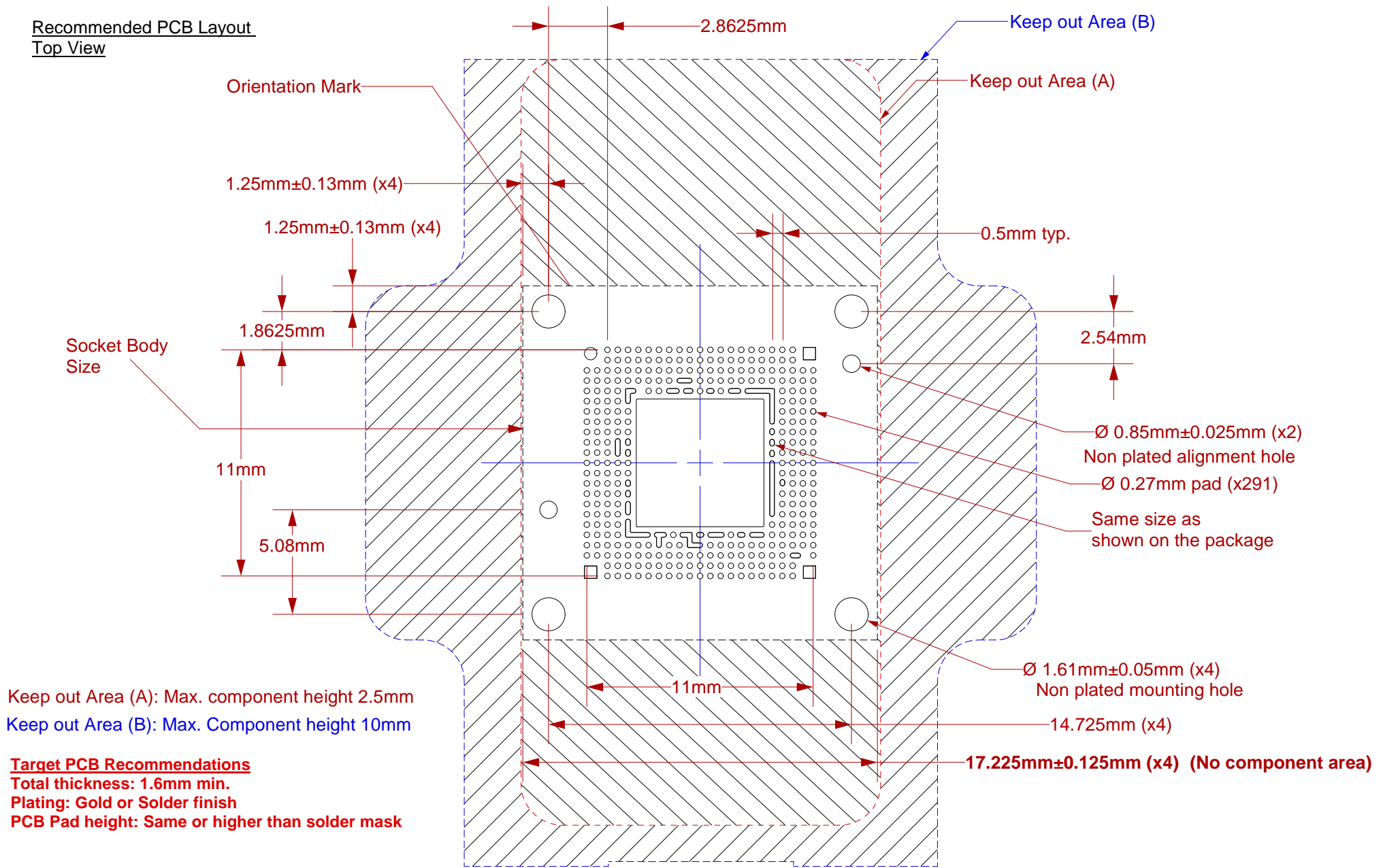
Materials:

- 1 Clam Shell Lid: Black anodized 7075 Aluminum. Height = 20 mm.
- 2 Socket Base: Black anodized 7075 Aluminum. Height = 6 mm.
- 3 Compression Plate: Black anodized 7075 Aluminum. Thickness = 12 mm.
- 4 Fluted Knob Compression Screw: Clear anodized 7075 Aluminum.
- 5 Elastomer: 20 micron dia gold plated brass filaments arranged symmetrically in a silicone rubber (63.5 degree angle). Thickness = 0.5mm.
- 6 Elastomer Guide: Ultem 1000. Thickness: 0.425mm
- 7 Socket Base Screw: Socket Head Cap Screw, alloy steel with black oxide finish, 0-80 Thread, 5/8" long.
- 8 Backing Plate: Black anodized 7075 Aluminum
- 9 Latch: Black anodized 7075 Aluminum.
- 10 IC guide: Ultem

	CG-QFN-7000 Drawing	Status: Released	Scale: -	Rev: A
	© 2010 IRONWOOD ELECTRONICS, INC. Tele: (952) 229-8200 www.ironwoodelectronics.com	Drawing: Vinayak R		Date: 3/23/10
		File: CG-QFN-7000 Dwg	Modified:	

All tolerances: ±0.125mm (unless stated otherwise). Materials and specifications are subject to change without notice.


**Recommended PCB Layout
Top View**



Target PCB Recommendations
Total thickness: 1.6mm min.
Plating: Gold or Solder finish
PCB Pad height: Same or higher than solder mask

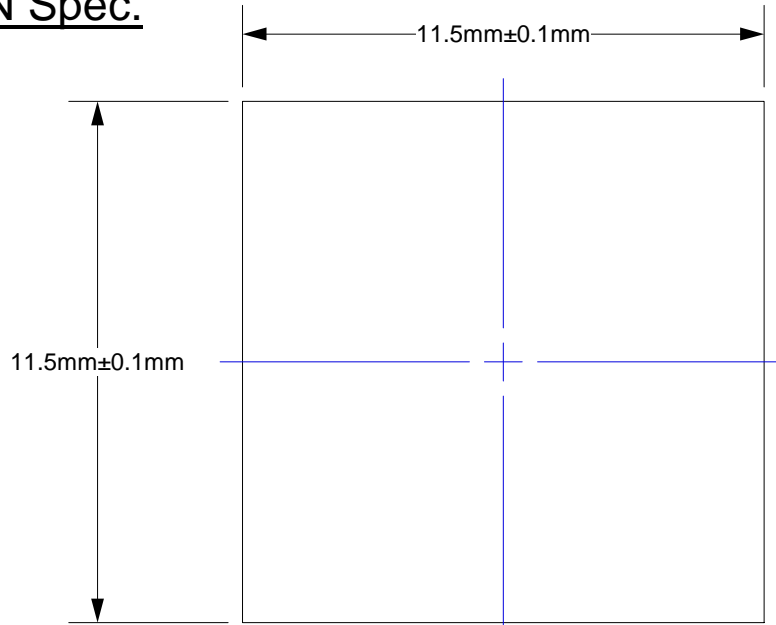
All dimensions are in mm unless stated otherwise

Recommended PCB Layout Tolerances: ±0.025mm [±0.001"] unless stated otherwise.

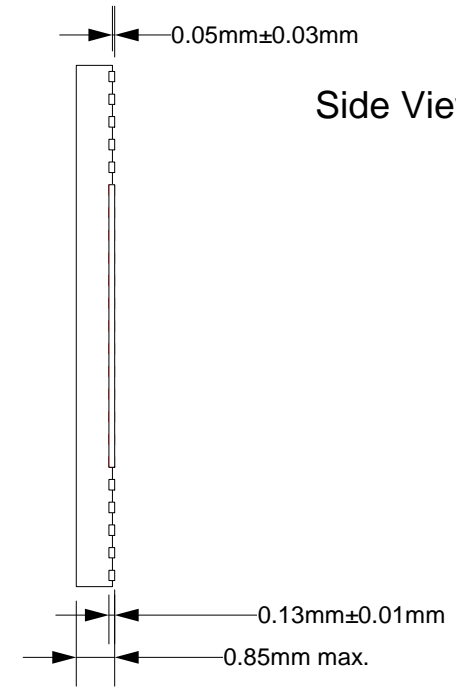
 <p>© 2010 IRONWOOD ELECTRONICS, INC. Tele: (952) 229-8200 www.ironwoodelectronics.com</p>	<p>CG-QFN-7000 Drawing</p>	<p>Status: Released</p>	<p>Scale: 4:1</p>	<p>Rev: A</p>
	<p>Drawing: Vinayak R</p>	<p>Date: 3/23/10</p>		<p>PAGE 2 of 4</p>
	<p>File: CG-QFN-7000 Dwg</p>	<p>Modified:</p>		

Compatible QFN Spec.

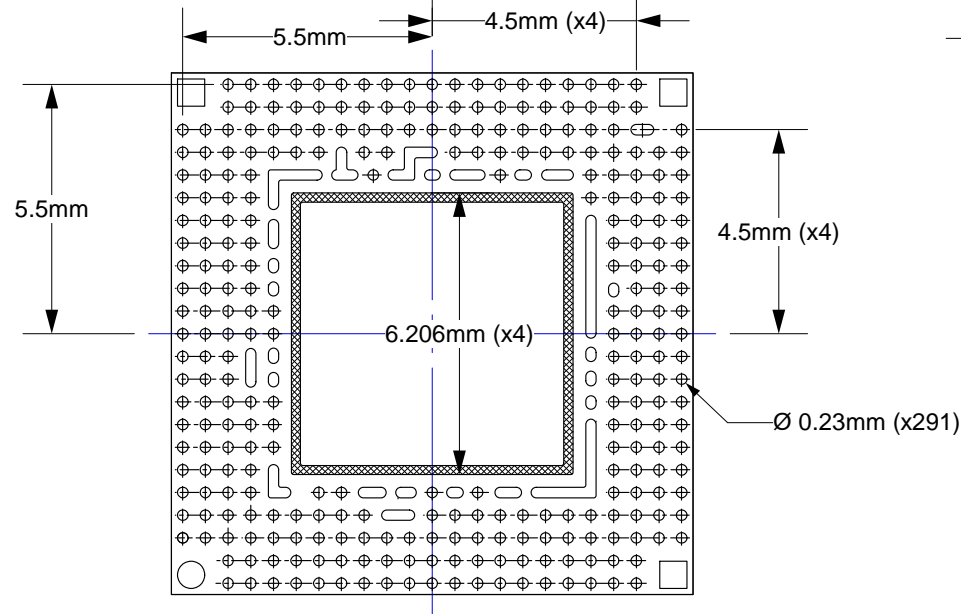
Top View




Side View

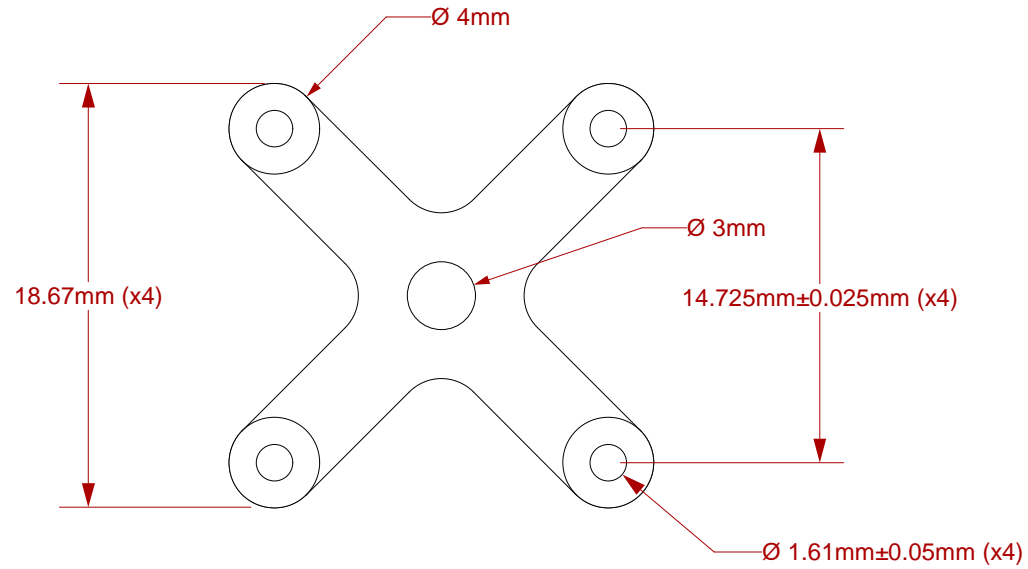


Bottom View



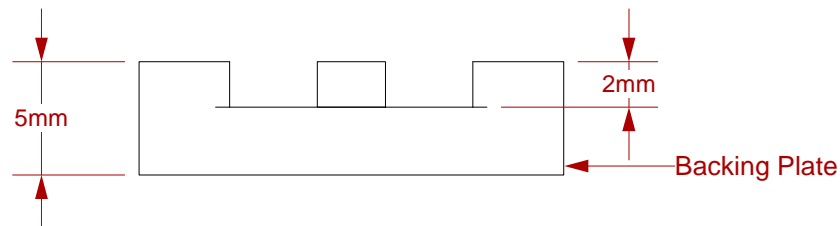
	CG-QFN-7000 Drawing	Status: Released	Scale: -	Rev: A
	© 2010 IRONWOOD ELECTRONICS, INC. Tele: (952) 229-8200 www.ironwoodelectronics.com	Drawing: Vinayak R		Date: 3/23/10
		File: CG-QFN-7000 Dwg	Modified:	

Top View




Note: Backing plate holes are tapped to accept 0-80 screws.

Side View



Description: Backing Plate

All dimensions are in mm.
All tolerances are $\pm 0.125\text{mm}$.
(Unless stated otherwise)

CG-QFN-7000 Drawing		Status: Released	Scale: -	Rev: A
	© 2010 IRONWOOD ELECTRONICS, INC. Tele: (952) 229-8200 www.ironwoodelectronics.com		Drawing: Vinayak R	
			Date: 3/23/10	
			File: CG-QFN-7000 Dwg	
			Modified:	