

THIS DRAWING IS UNPUBLISHED. RELEASED FOR PUBLICATION

© COPYRIGHT - By - TE CONNECTIVITY ALL RIGHTS RESERVED.

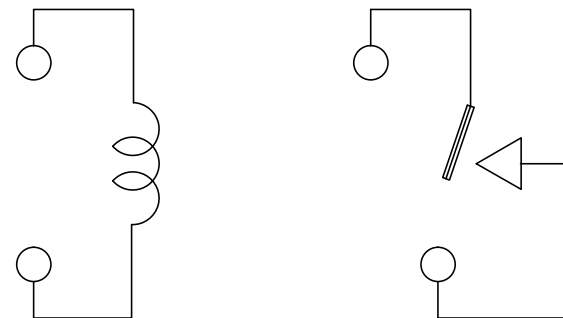
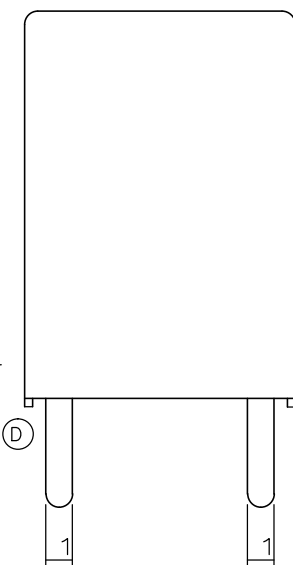
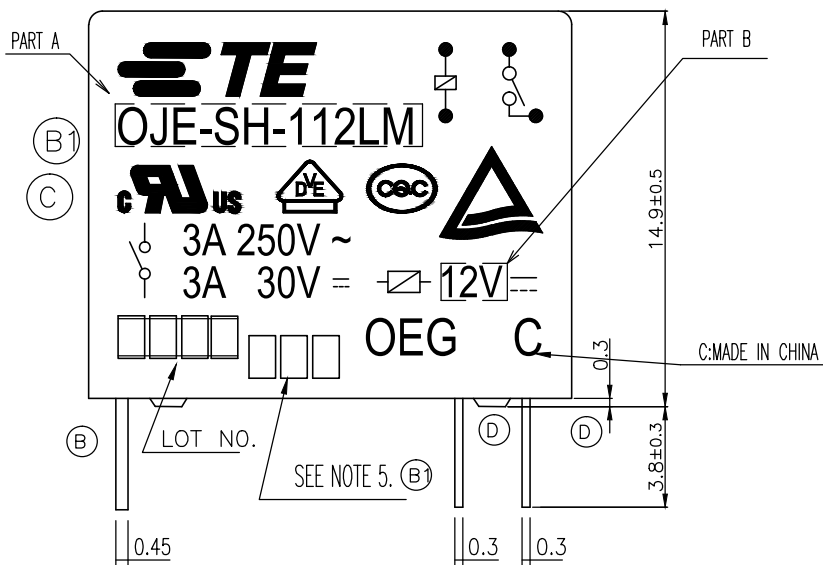
LOC HB DIST -

REVISIONS

P	LTR	DESCRIPTION	DATE	DWN	APVD
D		REMOVED THE RIB ON THE BASE TO CASE ECO-15-011310	03DEC2015	YS.H	CHL

D  
C  
B  
A

D  
C  
B  
A



CONNECTION FIGURE

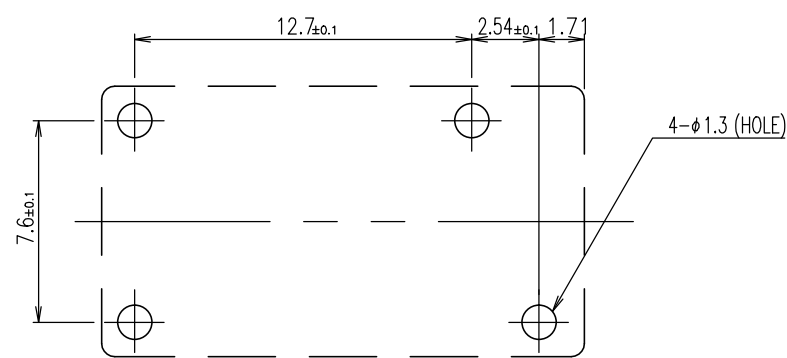
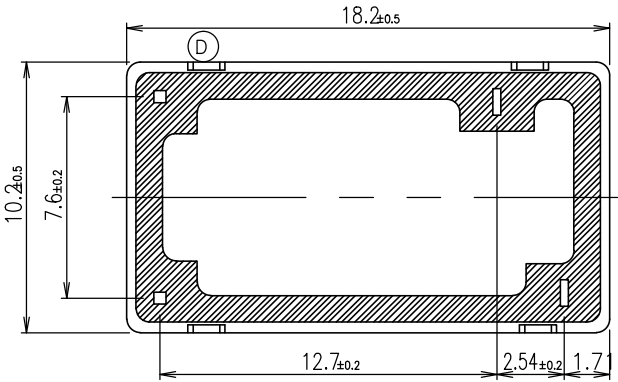


FIGURE FOR PRINTED CIRCUIT BOARD PROCESSING (BOTTOM VIEW)



THIS DRAWING IS A CONTROLLED DOCUMENT.		DWN H.Sasaki -	TE Connectivity			
DIMENSIONS: mm		CHK Y.Oikawa -				
TOLERANCES UNLESS OTHERWISE SPECIFIED:		APVD A.Nagai -	NAME			
0 PLC ± - 1 PLC ± - 2 PLC ± - 3 PLC ± - 4 PLC ± - ANGLES ± -		PRODUCT SPEC -	OJE-SH-LM SPEC 000 CUSTOMER DRAWING			
MATERIAL -		APPLICATION SPEC -	SIZE A3	CAGE CODE 00779	DRAWING NO. 1461401	RESTRICTED TO -
FINISH -		WEIGHT -	CUSTOMER DRAWING		SCALE 5:1	SHEET 1 OF 2
					REV D	

THIS DRAWING IS UNPUBLISHED. RELEASED FOR PUBLICATION - , - .  
 © COPYRIGHT - By - TE CONNECTIVITY ALL RIGHTS RESERVED.

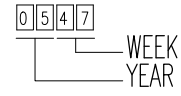
LOC	DIST	REVISIONS					
HB	-	P	LTR	DESCRIPTION	DATE	DWN	APVD
		-		SEE SHEET 1	-	-	-

ACTIVE	1461401-4	OJE-SH-124LM, 000	107-79010	24V	OJE-SH-124LM	f
ACTIVE	1461401-5	OJE-SH-112LM, 000	107-79010	12V	OJE-SH-112LM	e
(B) OBSOLETE	1461401-1	OJE-SH-109LM, 000	107-79010	9V	OJE-SH-109DM	d
(B) OBSOLETE	1461401-3	OJE-SH-106LM, 000	107-79010	6V	OJE-SH-106LM	c
ACTIVE	1461401-2	OJE-SH-105LM, 000	107-79010	5V	OJE-SH-105LM	b
(B) OBSOLETE	1461401-6	OJE-SH-103LM, 000	107-79010	3V	OJE-SH-103LM	a
PART STATUS	TE PART NO	DESCRIPTION	PACKAGE SPEC	PART B	PART A	TYPE

RELAY TYPE

(B) (A) NOTES:

1. LOT NO. SYSTEM AS FOLLOWING:

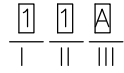


(B) 2. TERMINAL DIMENSION IS BEFORE SOLDER DIP;

(B) 3. FOR THE TIN-PLATING OF THE PINS:  
 +0.1mm FOR WIDTH, THICKNESS AND DIAMETER.  
 +0.5mm FOR LENGTH.

(B) 4. USED WELDED CONTACT & LASER MARKING.

(B) 5. ADD LOT NO. SYSTEM AS FOLLOWING;



I, DIGITS FOR DAY OF THE WEEK  
 1...MONDAY IN THIS WEEK;  
 2...TUESDAY IN THIS WEEK;  
 .....  
 7...SUNDAY IN THIS WEEK  
 II, DIGITS FOR SHIFT OF THE DAY  
 1...DAY SHIFT IN THIS DAY;  
 2...NIGHT SHIFT IN THIS DAY;  
 III, ONE CHARACTER

DISTINGUISH THE LINE IDENTITY, SUCH AS: A,B,....Z

		UV RESIN	SEAL (VENT HOLE)	16
		EPOXY RESIN	SEAL (BASE & BOBBIN)	15
		3UEW	MAGNETIC WIRE	14
94V-0		P.B.T	CASE	13
94V-0		P.B.T	BASE	12
94V-0		P.B.T	BOBBIN	11
	SOLDER DIP	C.P WIRE	COIL TERMINAL	10
94V-0		P.P.S	CARD	9
		Ag	MOVABLE CONTACT	8
		Ag	NO.CONTACT	7
		STEEL	HINGE SPRING	6
	SOLDER DIP	Cu ALLOY	NO.TERMINAL	5
	SOLDER DIP	Cu ALLOY	MOVABLE SPRING	4
	NIP	STEEL	CORE	3
	NIP	STEEL	ARMATURE	2
	NIP	STEEL	YOKE	1
INCOMBUSTIBILITY	TREATMENT	MATERIAL	DESCRIPTION	ITEM

THIS DRAWING IS A CONTROLLED DOCUMENT.		DWN	H.Sasaki	-
DIMENSIONS: mm		CHK	Y.Oikawa	-
TOLERANCES UNLESS OTHERWISE SPECIFIED:		APVD	A.Nagai	-
	0 PLC	± -	NAME	
	1 PLC	± -	-	
	2 PLC	± -	OJE-SH-LM SPEC 000 CUSTOMER DRAWING	
	3 PLC	± -	-	
4 PLC	± -	PRODUCT SPEC		
ANGLES	± -	APPLICATION SPEC		
MATERIAL	FINISH	WEIGHT	-	SIZE
-	-	-	-	A3
CUSTOMER DRAWING		CAGE CODE	00779	DRAWING NO
-		RESTRICTED TO	-	1461401
-		SCALE	5:1	SHEET
-		2 OF 2	REV	D