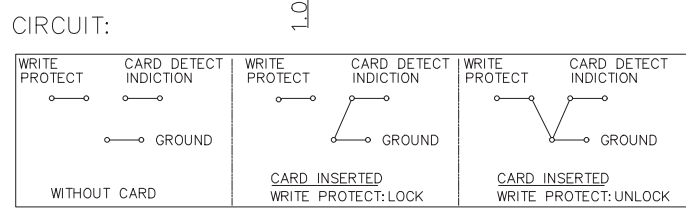
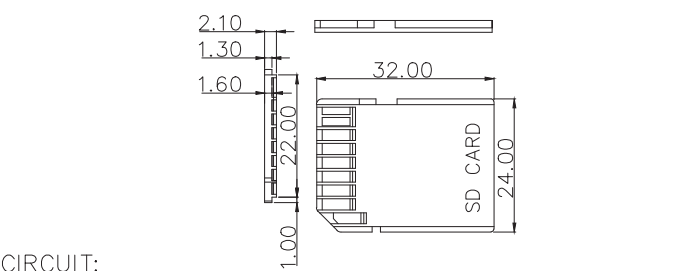
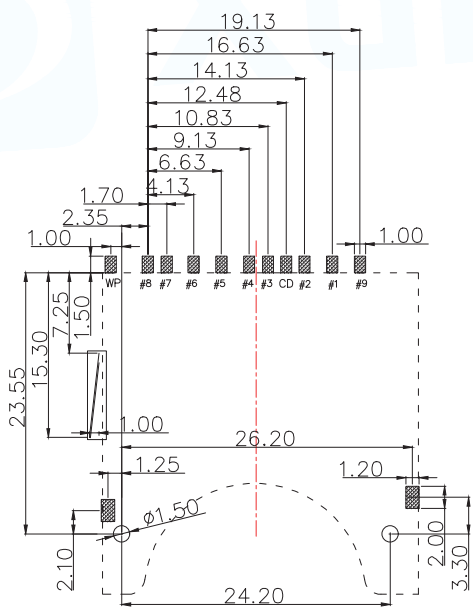
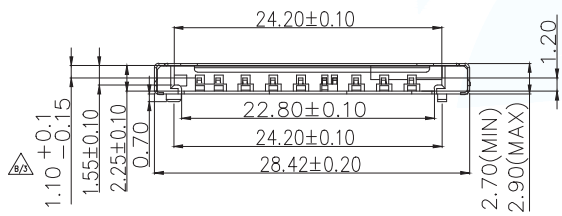
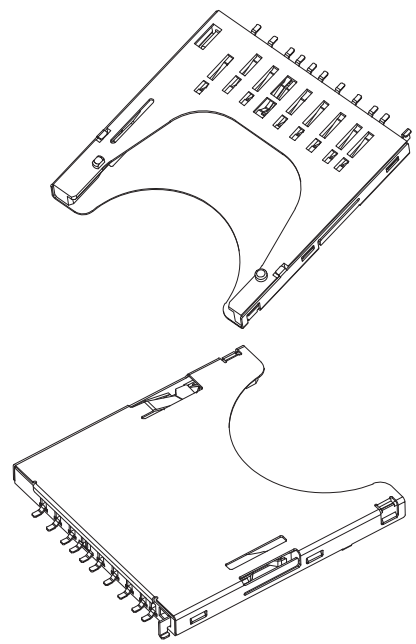


NOTES:
 1.MATERIAL:
 HOUSING: HIGH TEMPERATURE THERMOPLASTIC
 UL94V_0,COLOR:BLACK.
 CONTACT: COPPER ALLOYS.
 COVER: COPPER ALLOYS OR STEEL.
 2.PLATING:
 UNDERPLATE: NICKEL.
 CONTACT AREA: GOLD OVER NICKEL.
 SOLDER AREA: TIN OVER NICKEL.
 3.MULTIMEDIA CARD COMPATIBLE

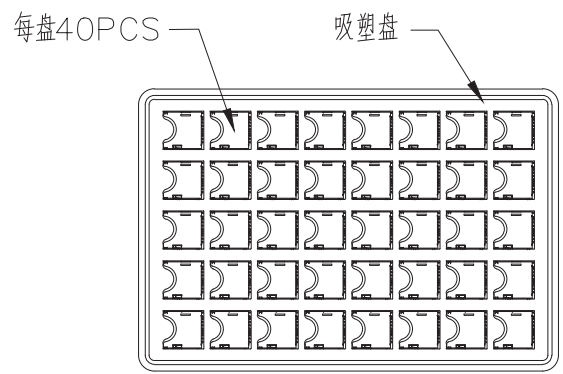
| SD CARD PIN DEFINE | | | |
|--------------------|---------|--------|-----------------------------|
| Pin# | Name | Type | Description |
| 1 | CD/DAT3 | I/O/PP | Card Detect/Date Line[Bit3] |
| 2 | CMD | PP | Command/Response |
| 3 | Vss1 | S | Supply voltage ground |
| 4 | VDD | S | Supply voltage |
| 5 | CLK | I | Clock |
| 6 | Vss2 | S | Supply voltage ground |
| 7 | DAT0 | I/O/PP | Date Line [Bit0] |
| 8 | DAT1 | I/O/PP | Date Line [Bit1] |
| 9 | DAT2 | I/O/PP | Date Line [Bit2] |
| 10 | CD | | CARD DETECT |
| 11 | WP | | WRITE PROTECT |



▨ PAD AREA
 ■ KEEP OUT AREA

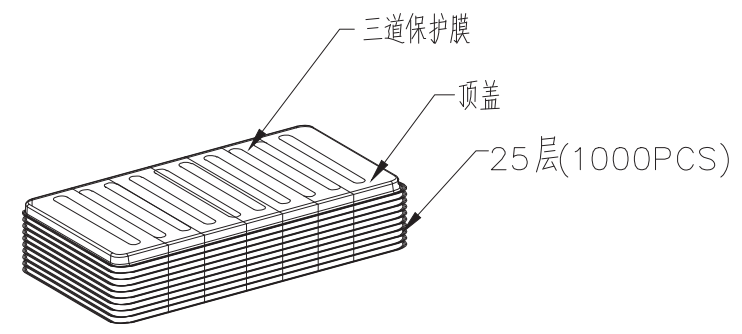
RECOMMENDED PCB LAYOUT
 GENERAL TOLERANCE ±0.05

| | | | |
|---------------------------------------|------------|---|------------------------------|
| MANUFACTURE DWG | | 东莞市讯普电子科技有限公司 DongGuan XunPu Electronics Co.,Ltd | |
| UNLESS OTHERWISE SPECIFIED TOLERANCES | | | TITLE: SD CARD CONN PUSH SMT |
| DECIMALS: | ANGLES: | | PAR SD-106M |
| X.X: ±0.35 | X.X': ±5' | | DWN |
| X.XX: ±0.25 | X.XX': ±3' | | CHKD |
| X.XXX: ±0.15 | | APVD | SCALE1:1 UNIT: MM |
| CUSTOMER COPY | | SIZE: A4 | SHEET: 1F1 |
| | | | REV: A |

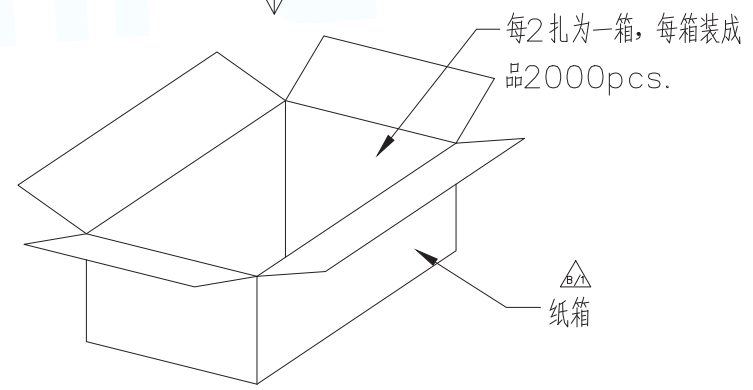


吸塑盘规格: 303*193*8mm

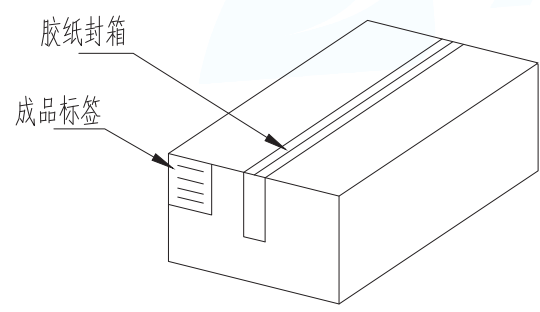
NO.1



NO.2



NO.3



NO.4

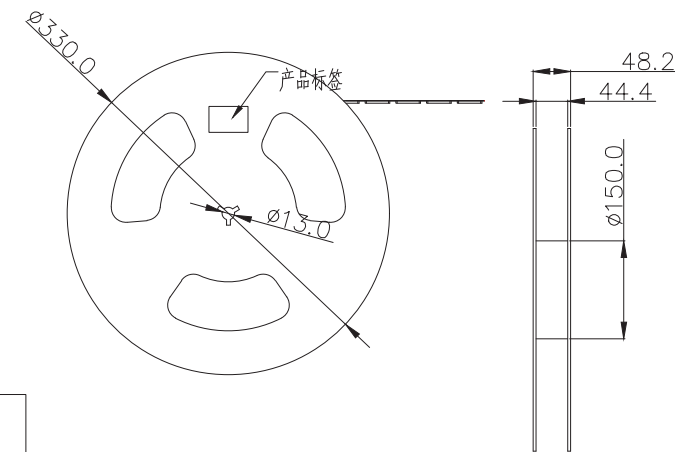
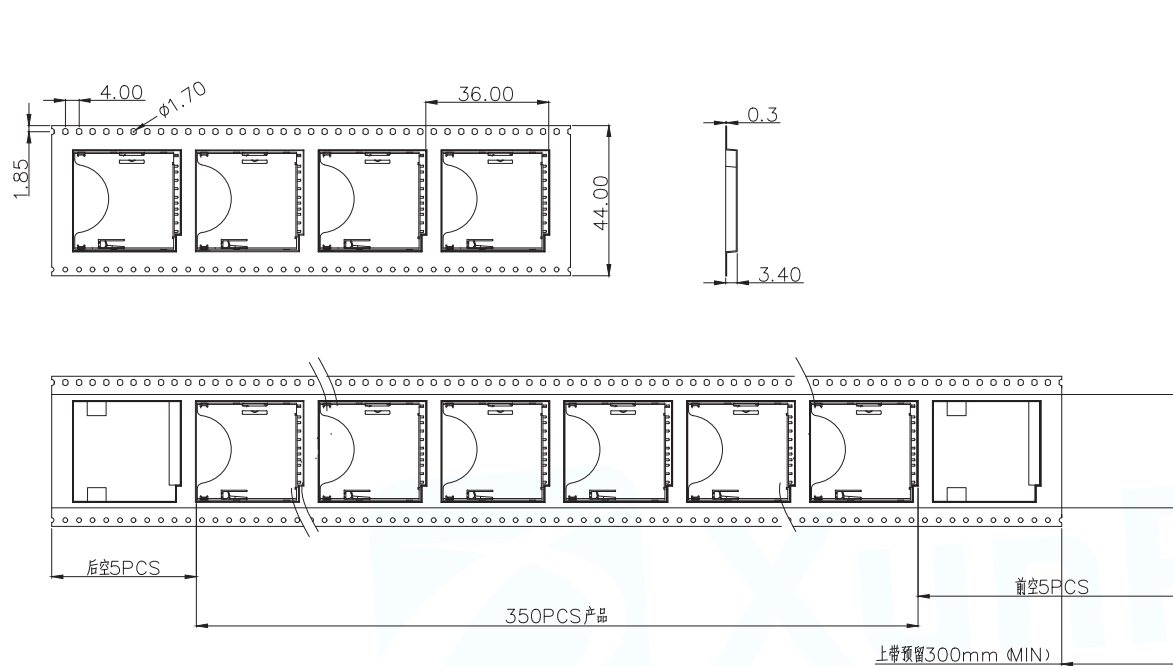
1. 材质要求:

- 1.1 纸箱的材质为A= A外形尺寸为32*20.5*26cm;
- 1.2 PS 盘的材质为PS,PS盘的外形尺寸303*193*8mm;

2. 包装要求:

- 2.1 每一盘装40PCS;
- 2.2 每25 盘累叠在一起, 共计1Kset; 上面需放一个空盘, 后用PE 膜缠绕;
- 2.3 把累叠好的PS 盘放入纸箱中;
- 2.4 把包装好的成品打包封箱, 并在纸箱中贴上标签;

| | | | |
|---------------------------------------|------------|--|------------------------------|
| MANUFACTURE DWG | |  东莞市讯普电子科技有限公司 DongGuan XunPu Electronics Co.,Ltd | |
| UNLESS OTHERWISE SPECIFIED TOLERANCES | |  | TITLE: SD CARD CONN PUSH SMT |
| DECIMALS: | ANGLES: | | PAR SD-106M |
| X.X: ±3.5 | X.X': ±5' | | DWN |
| X.XX: ±0.25 | X.XX': ±3' | | CHKD |
| X.XXX: ±0.15 | | | APVD |
| CUSTOMER COPY | | SCALE: 1:1 | UNIT: MM |
| | | SIZE: A4 | SHEET: 1F1 |
| | | | REV: A |

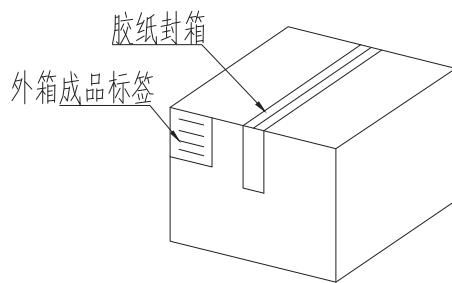


1. 材质要求:

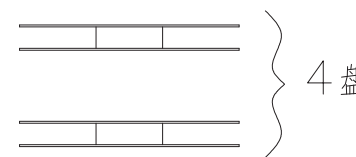
- 1.1 纸箱材质要求为K=K;外形尺寸为34*34*22CM(1.4Kset)。
- 1.2 卷盘的材质为PS;卷盘的外形尺寸为 $\phi 330*48.2$;
- 1.3 卷带的材质为PS;卷带的外形尺寸为12960*44.0*3.4mm

2. 包装要求:

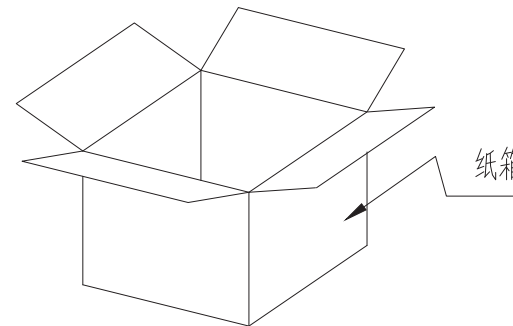
- 2.1 将卷带放入包装机后,前空5PCS,后放产品350PCS,再后空5PCS;上带留300MM长度。
- 2.2 将包装好的产品从包装机上取下并包装好;
- 2.3 把累叠好的4盘(1.4Kset/箱) 粘贴好标签放入纸箱。
- 2.4 把包装好的成品打包封箱,并在纸箱外贴上标签



纸箱规格1: 340*340*210
NO.4



4 盘



NO.3

| | | | |
|---------------------------------------|-----------------|---|------------------------------|
| MANUFACTURE DWG | | 东莞市讯普电子科技有限公司 DongGuan XunPu Electronics Co.,Ltd | |
| UNLESS OTHERWISE SPECIFIED TOLERANCES | | | TITLE: SD CARD CONN PUSH SMT |
| DECIMALS: | ANGLES: | | PAR SD-106M |
| X.X: ± 0.35 | X.X': $\pm 5'$ | | DWN |
| X.XX: ± 0.25 | X.XX': $\pm 3'$ | | CHKD |
| X.XXX: ± 0.15 | | APVD | SCALE: 1:1 UNIT: MM |
| CUSTOMER COPY | | SIZE: A4 | SHEET: 1F1 |
| | | | REV: A |