



## ZMB-SX-W5

## 65W



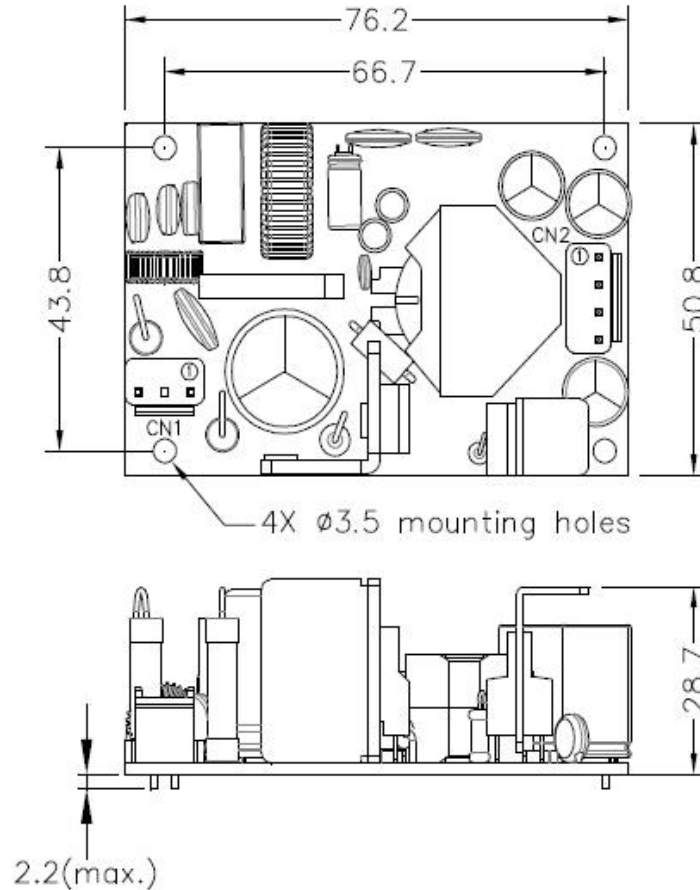
### FEATURES:

- Meets Energy Star efficiency level V
- Short Circuit Protection
- Over-load Protection
- Over voltage protection
- 2 year warranty
- >85% efficiency at full load
- Universal input
- Medical 60601-1 3rd ed. MOPP and ITE approved
- High power density
- No load power consumption <0.2W at 230VAC (5V model <0.1W )
- Ultra low earth leakage current <189uA at 264VAC



MODEL/CHANNEL		Unit	ZMB65-05SX-W5	ZMB65-12SX-W5	ZMB65-15SX-W5	ZMB65-19SX-W5	ZMB65-20SX-W5	ZWB65-24SX-W5	ZMB65-48SX-W5	
OUTPUT	Output Voltage	Vdc	5	12	15	19	20	24	28	
	Output Current	A	8	5.41	4.33	3.42	3.25	2.7	2.32	
	Ripple and Noise(max.) *3	mV	150	240	300	300	300	300	300	
	Power	V	40	65						
	O/P Regulation	-	±3% of output							
	Hold-up time	mS	>10ms typical at 75% load @ 115VAC							
	Rise-up time	mS	>16ms typical at full load @ 115VAC							
MODEL/CHANNEL		Unit	ZMB65-48SX-W5			ZMB65-56SX-W5				
OUTPUT	Output Voltage	Vdc	48			56				
	Output Current	A	1.35			1.16				
	Ripple and Noise(max.) *3	mV	300			300				
	Power	V	65							
INPUT	Input Voltage	Vac	90-264VAC							
	Input Current	A	1A @ 115Vac;			0.6A @ 230Vac max.				
	Input Frequency	Hz	47-63Hz							
	Inrush Current *1	A	<65A peak@115VAC			<130A peak@23VAC				
	Efficiency (typical) *2	mA	>87% @ max load, 115/230VAC			5V model >85% at 115VAC fillz				
Protection	Over Voltage Protection	-	Shutdown and latch off, AC Recycle							
	Over Load Protection	-	110% to 170% max rating, Auto Recover							
	Short circuit protection	-	Auto Recover							
Environmental Agencies	Safety	-	ITE: UL 60950-1 EN60950-1 CB IEC 60950-1 CSA 22.2 No.60950-1 Medical: UL 60601-1 3rd ed CSA C22.2 No. 60601-1 3rd ed EN60601-1 3rd ed IEC 60601-1 3rd ed							
	EMC Standards	-	ITE: CISPR 22 Class B, FCC PRT 15 Class B, EN55022 Class B, CE Medical: EN60601-1-2, FCC Part 18 Class B, EN55011 Class B, CE							
	MTBF	-	>100,000 hours at full load and 25°C ambient temperature							
Environment	Operating Temperature	-	-20°C to +70°C (derate linearly by 2.5% per °C from 41to 70°C)							
	Operating Humidity	-	0%~90% non-condensing							
	Storage Temperature	-	-20 to +85°C							
Dimension	Size(WxHxD) / Weight	mm/g	L76.2xW50.8xH28.7mm/120g							





### MATCHING CONNECTORS

#### CN1: Input Connector

JST B3P-VH-B pitch: 7.92mm or equivalent, mates with JST VHR-3N or equivalent

Pin #	Signal
1	AC Line
2	AC Neutral

#### CN2: Output Connector

JST B4P-VH-B pitch: 3.96mm or equivalent, mates with JST VHR-4N or equivalent

Pin #	Signal
1	-Vo
2	-Vo
3	+Vo
4	+Vo

