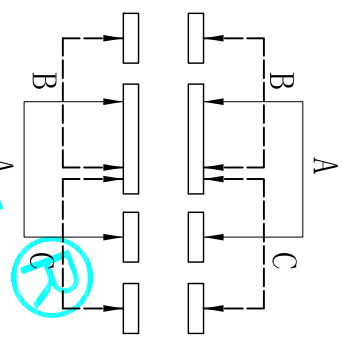
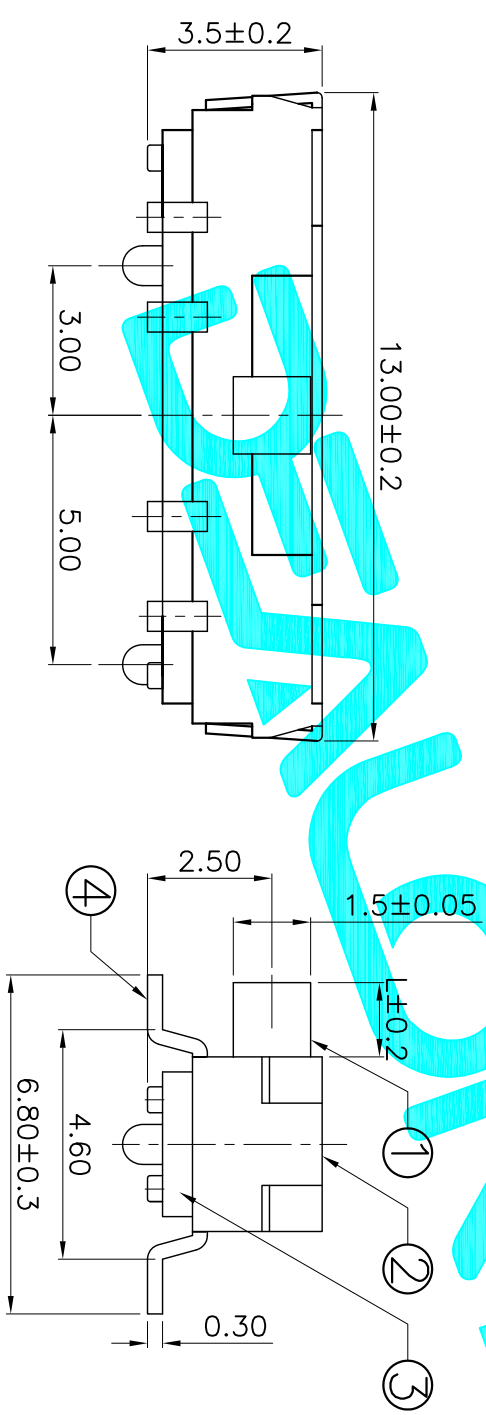


PCB Layout (Pattern side)



Circuit Diagram



PART NO.	L	Operating force
MK-23D33-G2	2	250±100gf
MK-23D33-G3	3	
MK-23D33-G4	4	

ITEM	PART NAME	QTY.	MATERIAL	FINISHING
⑤	Contact Spring	2	Beryllium copper	Ag Plated
④	Terminal	8	Brass Strip	Ag Plated
③	Base	1	NYLON	Black
②	Cover	1	SUS	Natural
①	KNOB	1	NYLON	White

APPROVALS		DATE	DRAWING NO.	
DRAWN	G.M.Chen	2014/8/18	MK-23D33-G	
CHECKED			ELECTRONICS CO.,LTD	
APPROVALS			SLIDE SWITCHES	
TOLERANCES ARE		30 <sup>±0.15</sup>	±0.30	ANGLE
		10 <sup>±0.10</sup>	±0.20	UNIT: mm
		5 <sup>±0.10</sup>	±0.15	SCALE: 1:1
				SHEET 1 OF 1
				PROJ.

ECN NO.	REV.	DATE.	DESCRIPTION.
	A		NEW