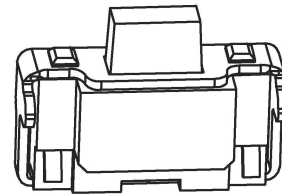
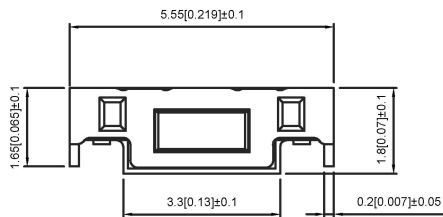


SPECIFICATION

技术参数

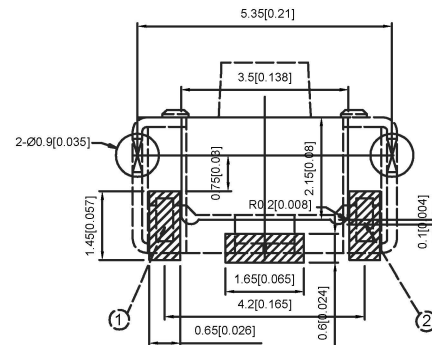
Contact Rating:50mA, 12V DC
 触点额定值: 50mA, 12V DC
 Contact Resistance:100mΩ max
 接触电阻: 最大100mΩ
 Insulation Resistance:100mΩ min. 100V DC
 绝缘电阻: 100mΩ最小100V DC
 Dielectric Strength:250V AC/1minute
 介电强度: 250V AC/1分钟
 Travel:0.18mm
 行程: 0.18毫米
 Operating Temp:-25℃~ +70℃
 工作温度: -25℃~ +70℃
 Storage Temp:-25℃~±70℃
 储存温度: -25℃~±70℃
 Life: 50000
 寿命: 50000



| | |
|-----------------|-----------|
| PAPT NO | TS-1806FN |
| Operating Force | B:160gf |
| | |
| | |



CIRCUIT DIAGRAM



PCB MOUNTING PATTERN DIMENSION

| ITEM | PAPT NAMF | TER.NO | QTY | MATERIAL | FINISHING | REMARK |
|------|-----------|--------|-----|-------------|-------------------|--------|
| 5 | Terminal | — | 2 | Brass 0.30t | Plating silvering | — |
| 4 | Contact | — | 1 | F.ag/SUS | Plating silvering | — |
| 3 | Base | — | 1 | LCP | — | — |
| 2 | Cover | — | 1 | Brass | Plating silvering | — |
| 1 | Keystake | — | 1 | LCP | — | — |

广东星坤科技股份有限公司

| | |
|------------------------|-------------|
| 生效 | 日期 |
| 文件工程 | 章 |
| MARK | DESCRIPTION |
| REVISIONS | DATE |
| UNSPECIFIED TOLERANCES | |

| | |
|------------|---------|
| units: | mm |
| tolerance: | |
| X.X | ±0.2mm |
| X.XX | ±0.1mm |
| X.XXX | ±0.05mm |

| | | | |
|---------------------------------------|------|-------------|-------------------------|
| DSND | DATE | SCALE: N/A | MODEL TYPE: TACT SWITCH |
| DWN | DATE | VIEW: | PART NO.: |
| CHKD | DATE | UNIT: mm/in | DWG NO.: TS-1806FN |
| APPD | DATE | SIZE: A4 | WEIGHT SHEET REVISION |
| XKB INDUSTRIAL PRECISION CO., LIMITED | | | 1.0g 1/1 A0 |