

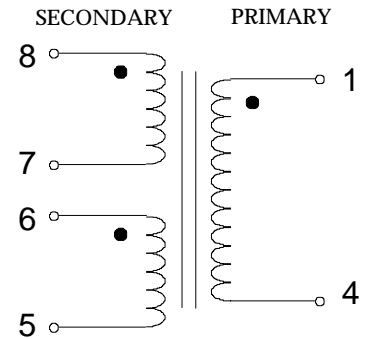
U Interface Transformer

Turns Ratio (± 3 %)

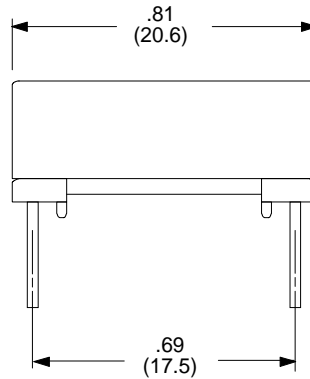
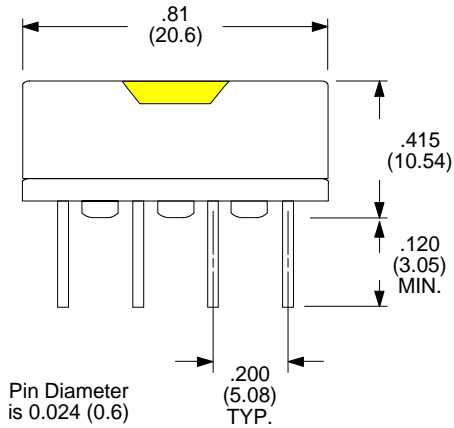
1 : 0.8 : 0.8

| PARAMETER | MIN. | TYP. | MAX. | UNITS |
|--|------|------|-------|------------------|
| Primary Inductance ⁽¹⁾ Pins 1-4. | 13.0 | 14.5 | 15.95 | mH |
| Leakage Inductance ⁽¹⁾ | | 48 | | μH |
| ¹ Interwinding Capacitance | | 53 | | pF |
| Primary DC Resistance Pins 1-4 | | 2.4 | | ohms |
| Secondary DC Resistance Pins 2-3 or 6-5. | | 2.3 | | ohms |
| Isolation (Hi-Pot) | 500 | | | V _{RMS} |
| DC Bias | | | 50 | mA |

Schematic Diagram

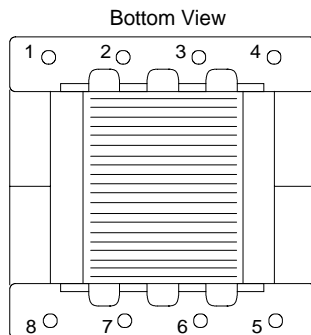


1 . Tested @ 10kHz & 100 mV_{RMS}



Pin Diameter
is 0.024 (0.6)

.200
(5.08)
TYP.



Physical
Dimensions
inches (mm)

RHOMBUS P/N: T-1027

CUST P/N:

NAME:

DATE: 05/19/98

SHEET: 1 of 1