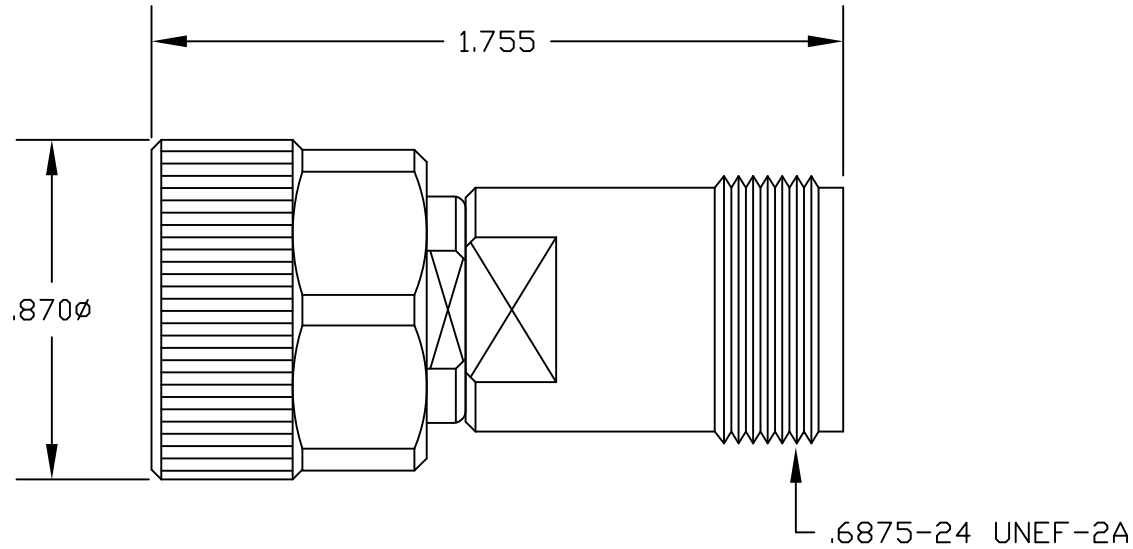


MATERIALS	
BODY	PASSIVATED STAINLESS STEEL
CONTACT	GOLD PLATED
COUPLING MECHANISM	STAINLESS STEEL
SC INSULATOR	PTFE
7mm SUPPORT BEAD	AIR-POLYPHENYLENE OXIDE COMPOSITE



SPECIFICATIONS

MAX VSWR 1.15:1 @ 8 GHz



PASTERNACK ENTERPRISES, INC.

P.O BOX 16759, IRVINE, CA 92623
PHONE (949) 261-1920 FAX (949) 261-7451

WEB ADDRESS: www.pasternack.com
E-MAIL ADDRESS: sales@pasternack.com

COAXIAL & FIBER OPTICS

DWG TITLE

PE9328

DES. 7mm TO SC FEMALE, PRECISION ADAPTER

SIZE A	FSCM NO. 53919	CAD FILE 101602	SCALE N/A	127
--------	----------------	-----------------	-----------	-----

NOTES:

1. UNLESS OTHERWISE SPECIFIED ALL DIMENSIONS ARE NOMINAL.
2. ALL SPECIFICATIONS ARE SUBJECT TO CHANGE WITHOUT NOTICE AT ANY TIME.