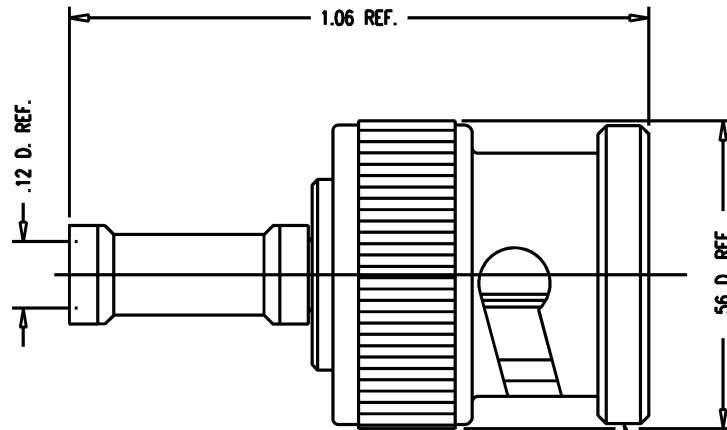


GSD

KC-59-281



NOTES:

1. FOR USE WITH M17/119-RG174, M17/094-RG-179 & M17/113-RG316 CABLE.
2. FOR CABLING INSTRUCTIONS SEE CP-402.
3. FOR CABLE TRIMMING USE KTJ-100 & KTD-145.
4. FOR CRIMPING USE DIE KTH-2081.
5. INTERFACE PER MIL-STD-348, FIG. 301-1.
6. MATERIALS:

INSULATORS: TEFLON, ASTM-D4894
 K-GRIP SLEEVE: COM. BRONZE TUBE, ALLOY 220
 GASKET: SILICONE RUBBER, A-A-59588
 CENTER CONTACT }
 OUTER CONTACT } BER. COPPER, ASTM-B-196
 SPRING WASHER }

ALL OTHER METAL PARTS: BRASS, ASTM-B16

7. FINISHES:

SPRING WASHER: SILVER PLATE, PER ASTM-B700.
 CRIMP & CENTER CONTACT: HARD GOLD PLATE, PER ASTM-B488
 ALL OTHER METAL PARTS: KINGS TARNISH RESISTANT FINISH (TR-5)

8. ELECTRICAL CHARACTERISTICS:

NOMINAL IMPEDANCE: 50 OHMS
 WORKING VOLTAGE: 500 VRMS
 FREQUENCY RANGE: DC TO 4 GHz.

STAMP: KINGS KC-59-281 YRWK (DATE CODE)

REVISIONS

ISSUE	CHANGES
7	CN 37051 D REDRAWN JJS 07/09/96
8	CN 39698 C DCT 11/14/6

SCALE 4:1

APPROX SURFACE AREA

WEIGHT: 11 GRAMS (.024 POUN

USED ON

REF: BOEING

PLUG, BNC

DRAWN	JJS	DATE	07/09/96
-------	-----	------	----------

DESIGN	MJB	DATE	07/09/96
--------	-----	------	----------

APPR.		DATE	
-------	--	------	--

KINGS
 ELECTRONICS CO., INC.
 ROCK HILL SOUTH CAROLINA 29730

KC-59-281

GSD