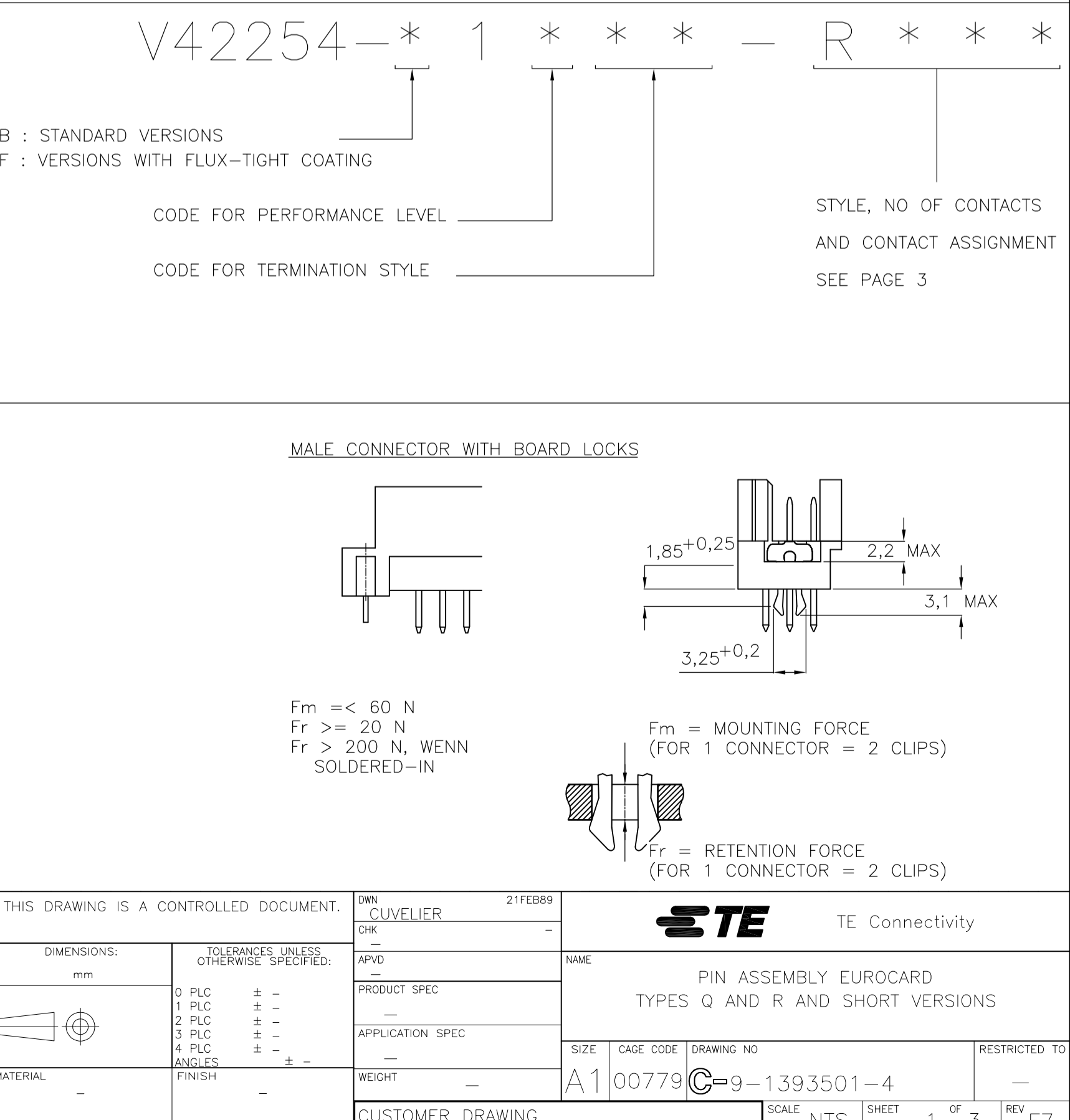
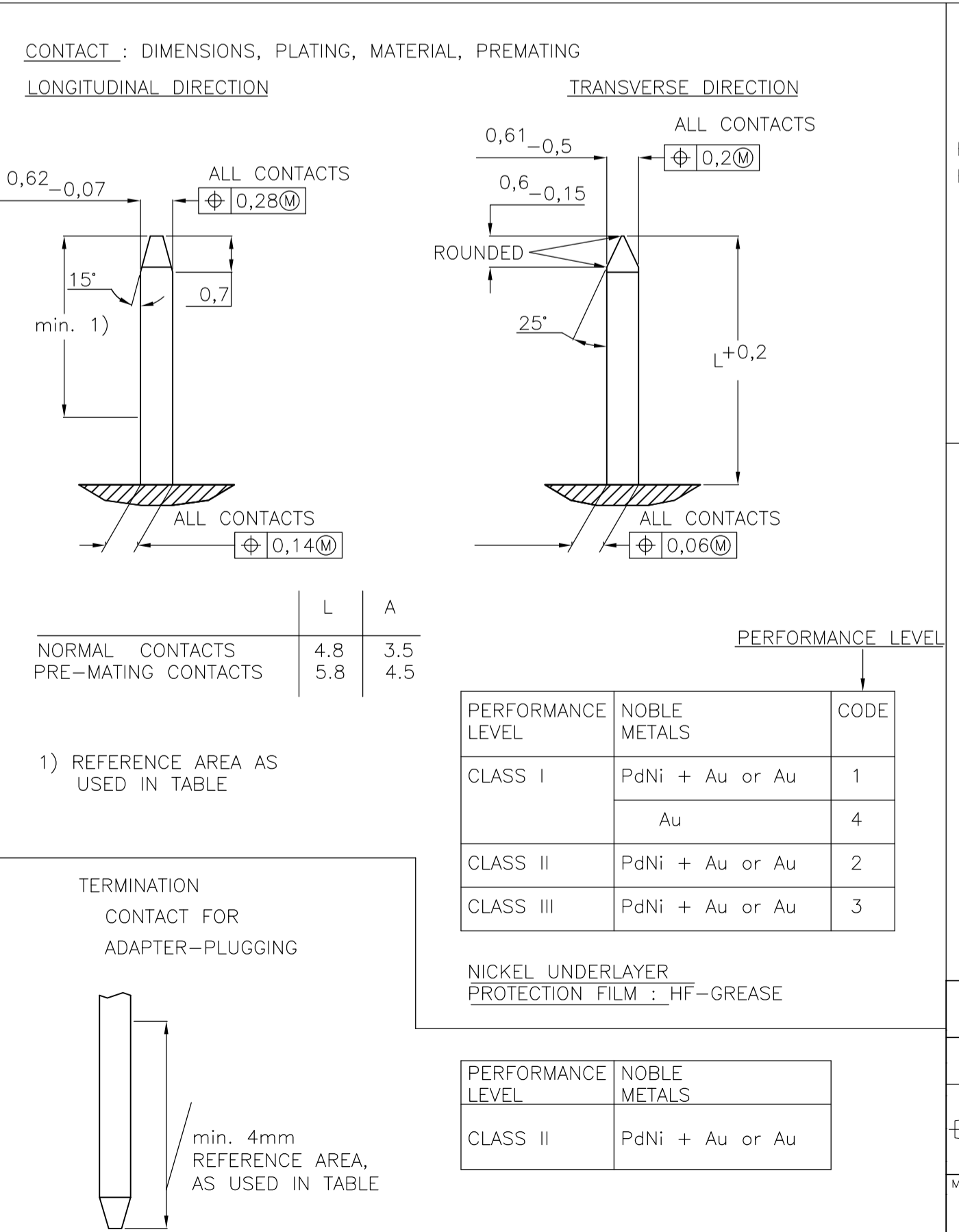
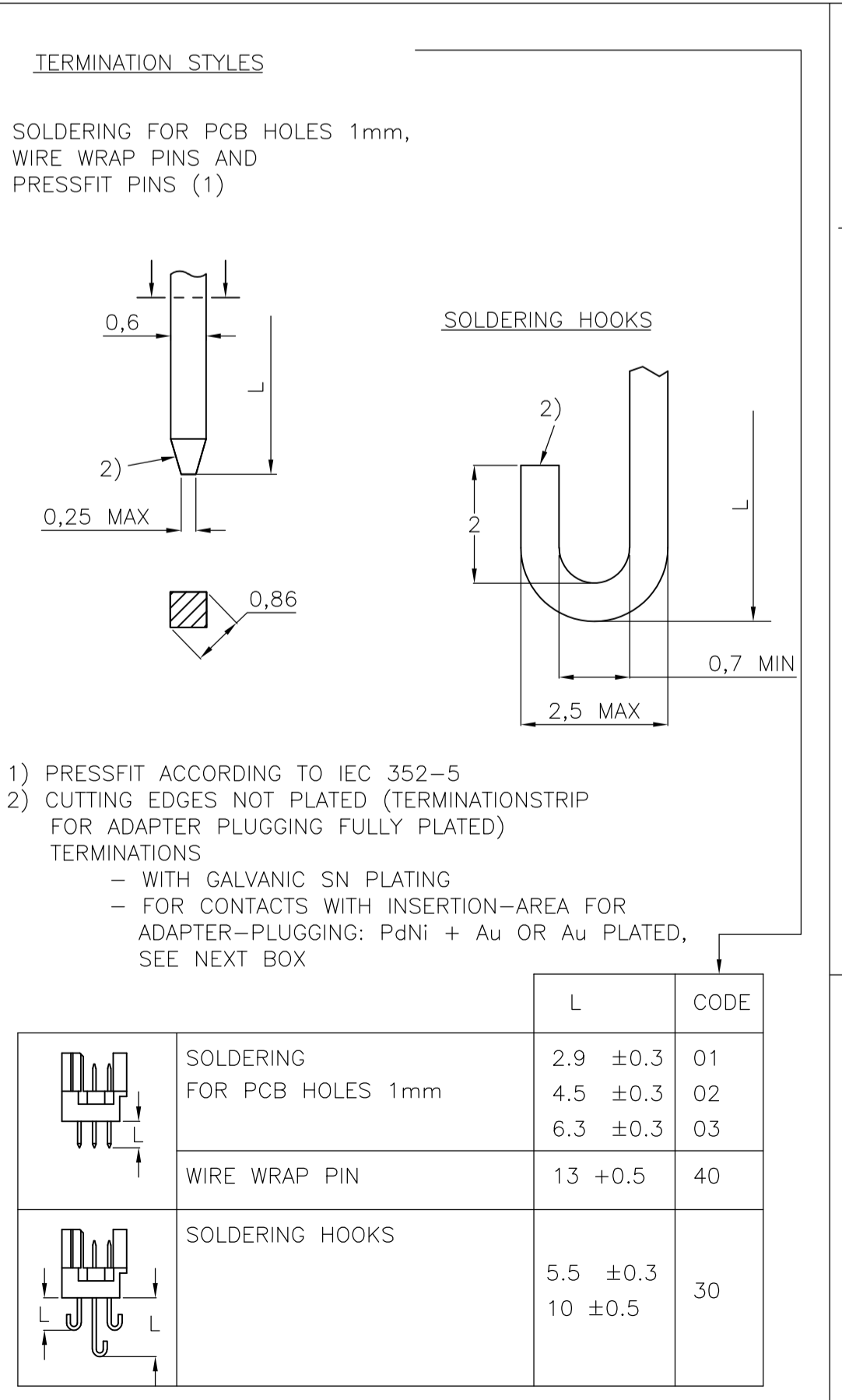
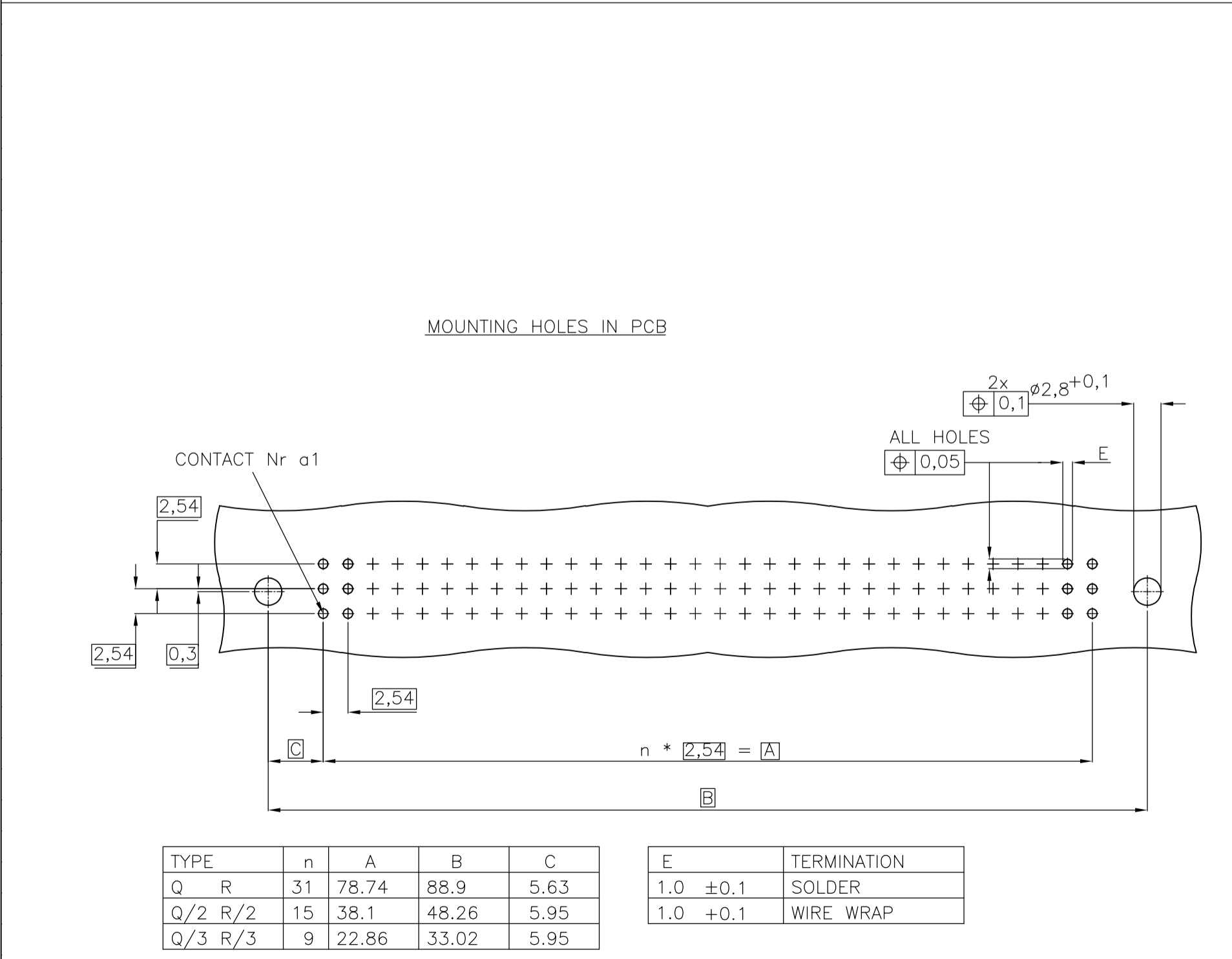
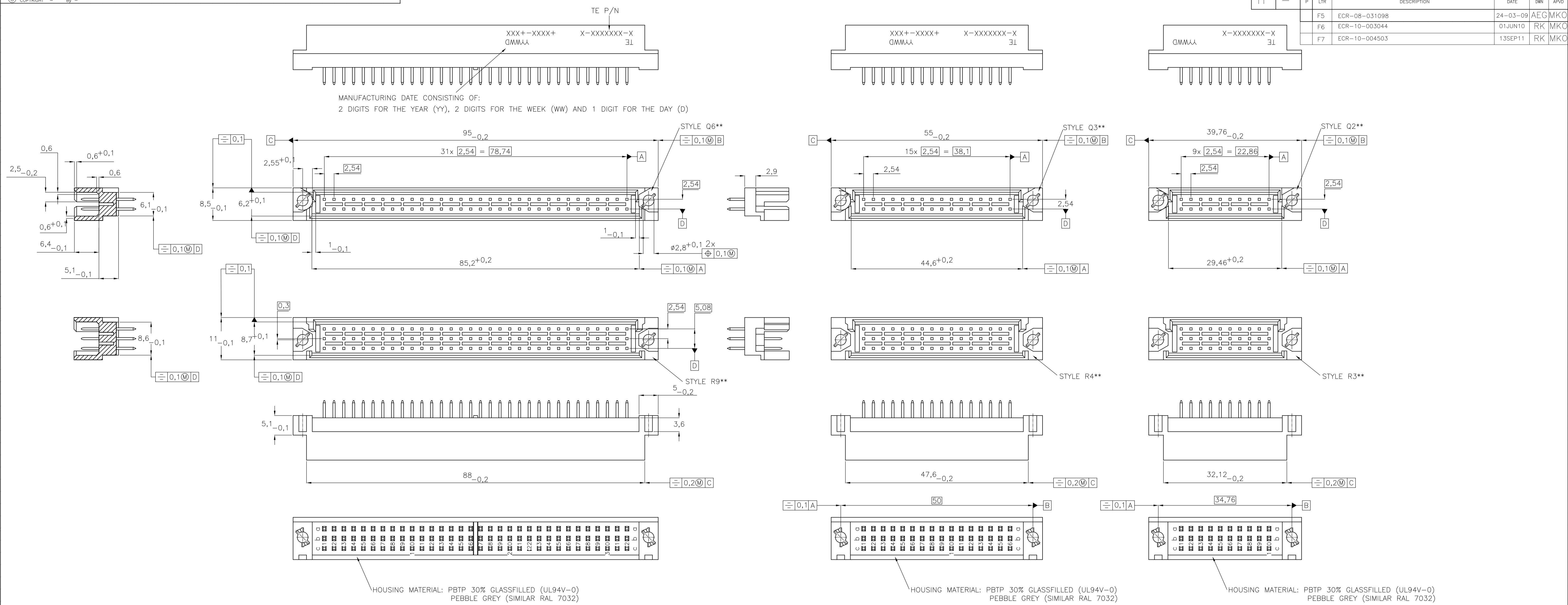
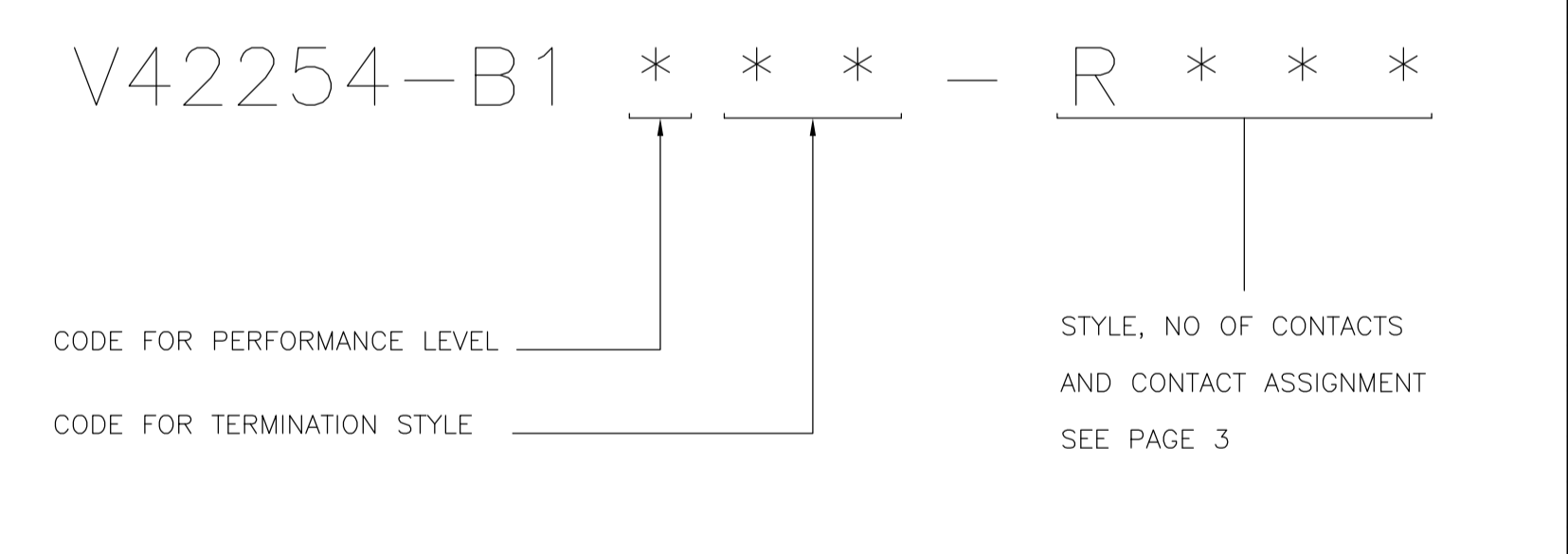
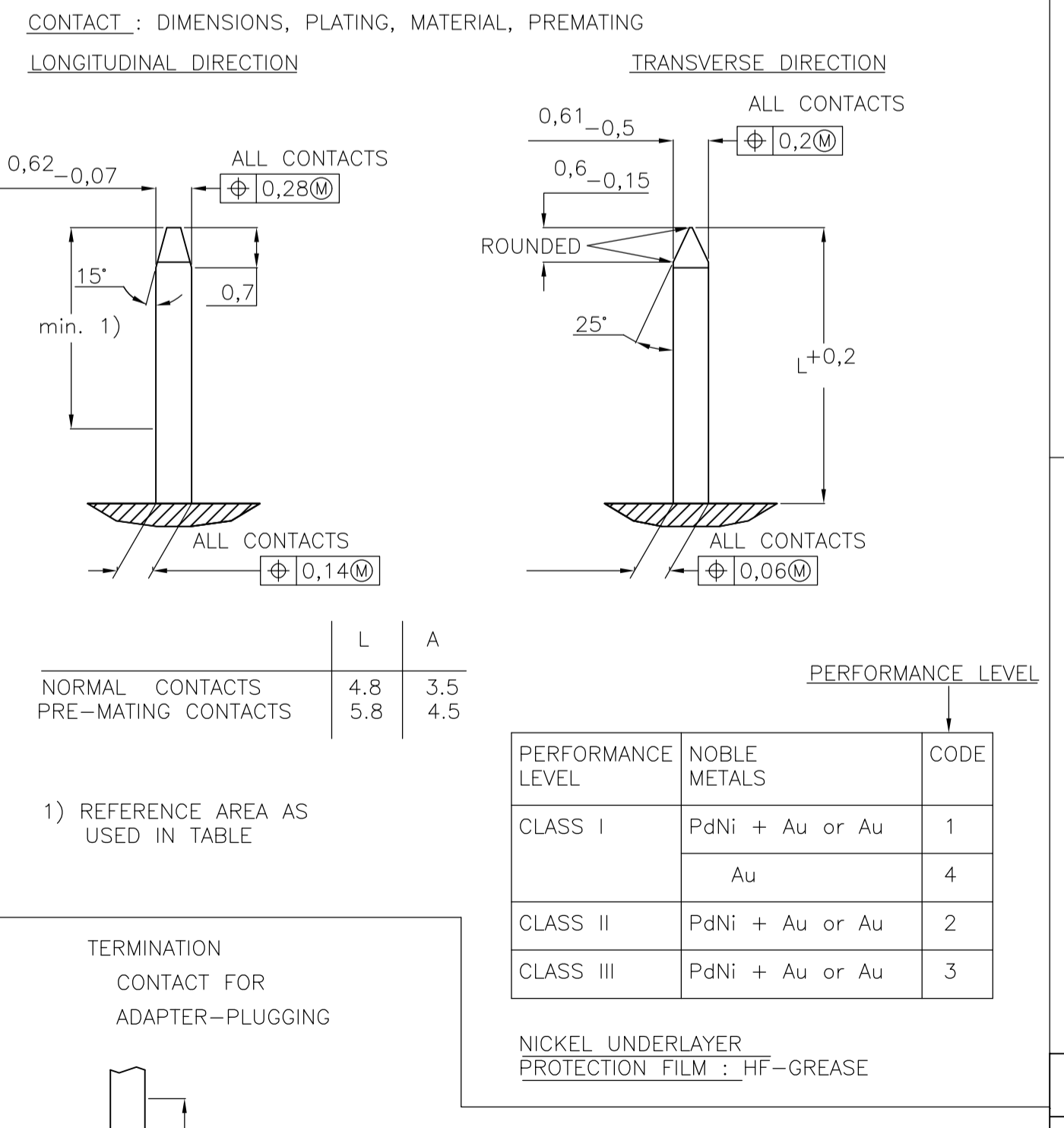
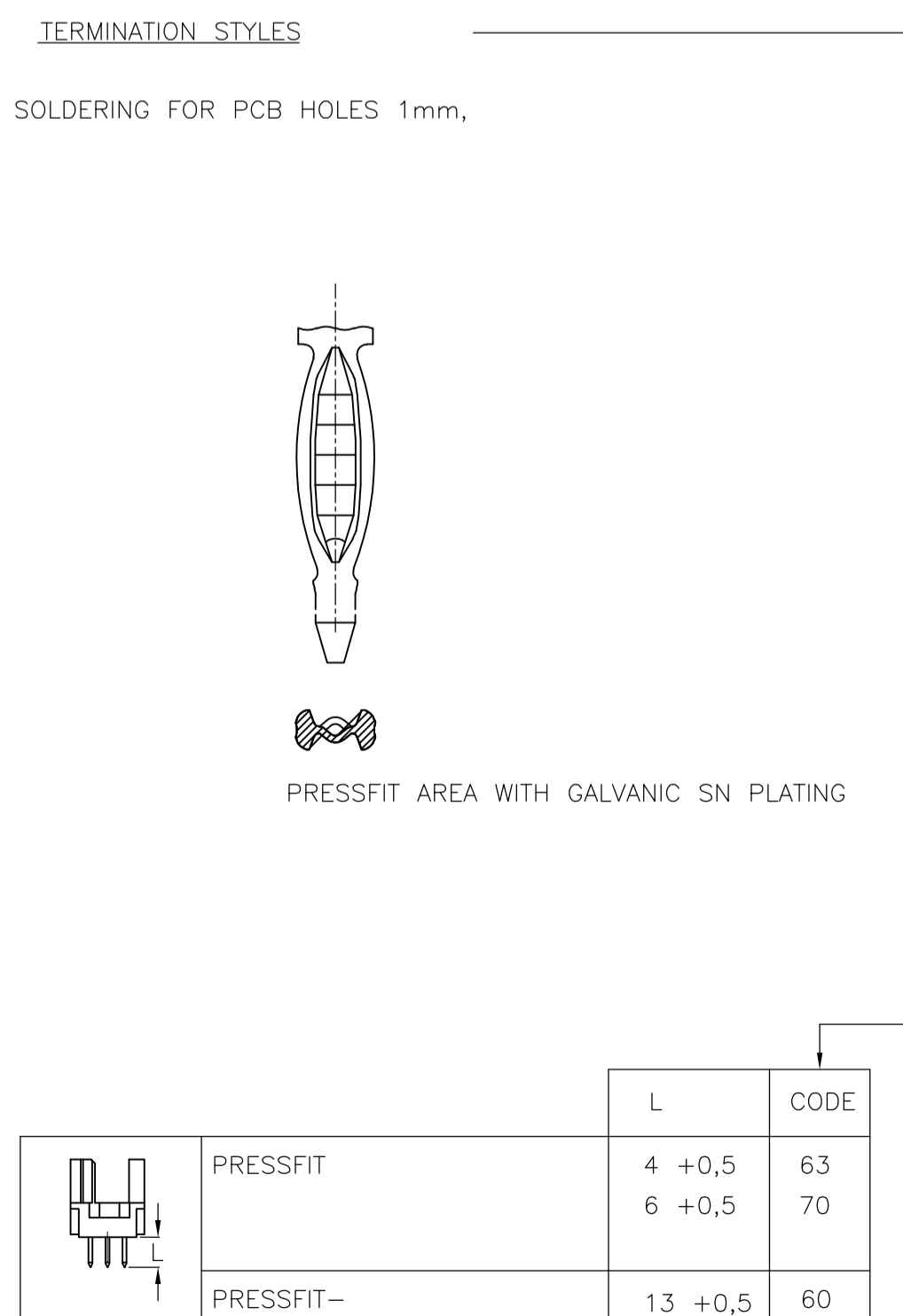
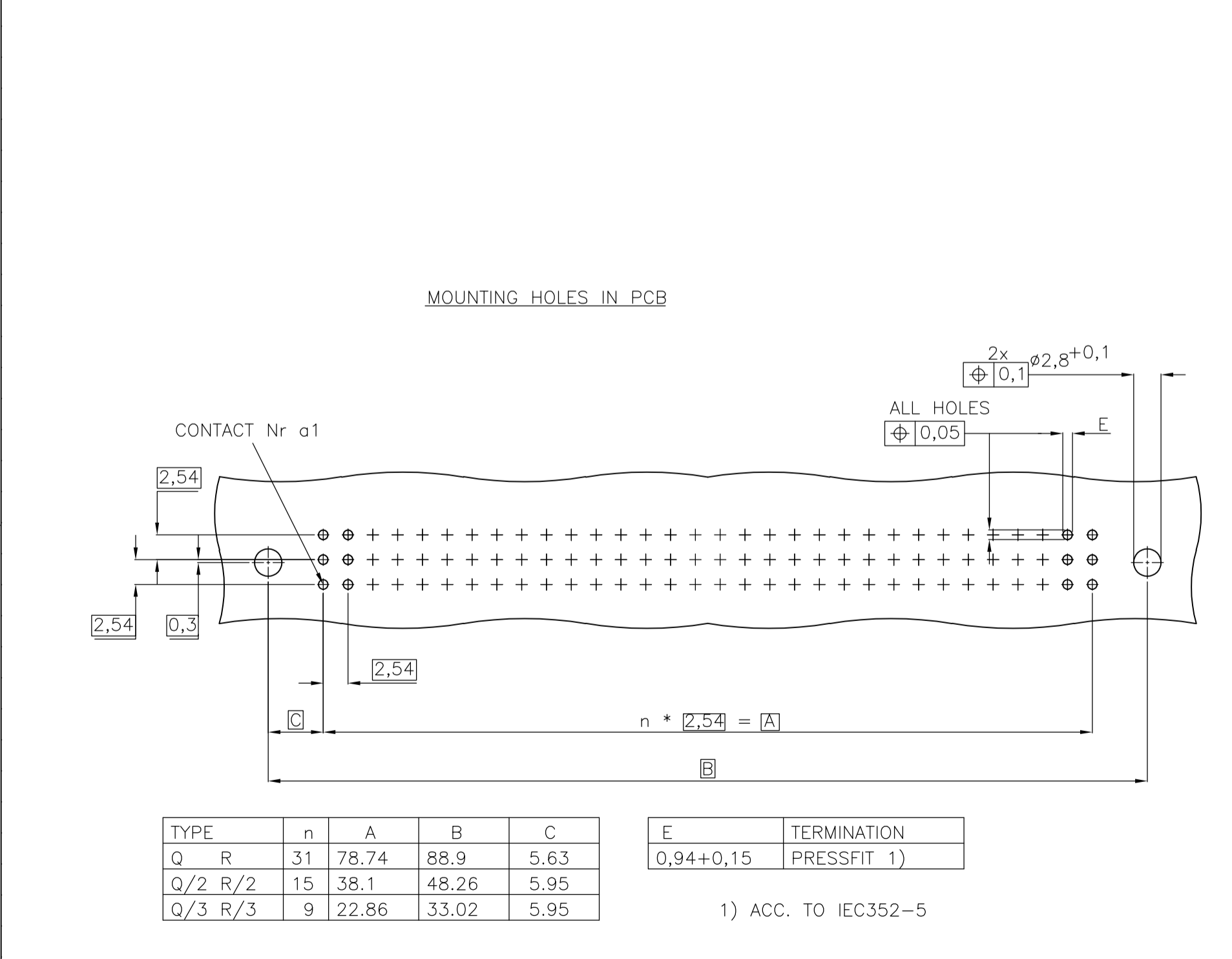
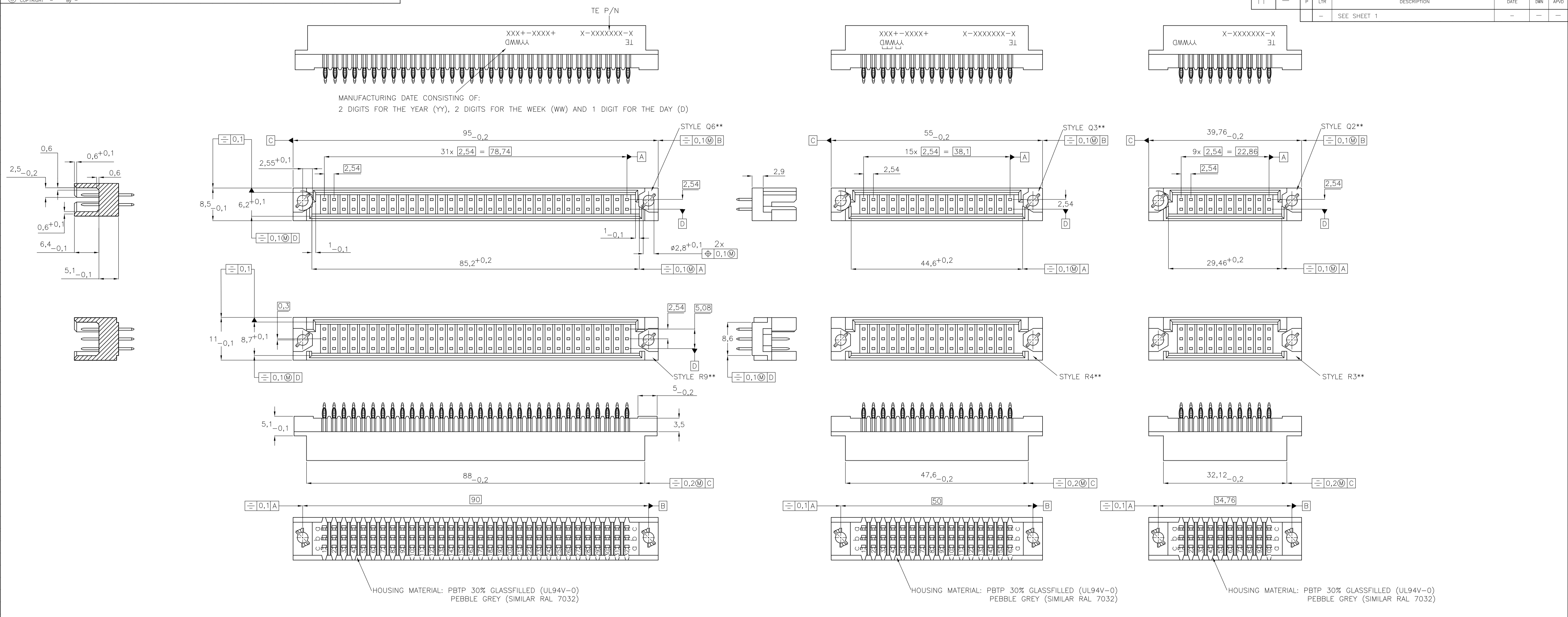


| REVISIENS | | DATE | DWN | APVD |
|-----------|---------------|----------|-----|------|
| F5 | ECR-08-031098 | 24-03-09 | AEG | MKO |
| F6 | ECR-10-003044 | 01JUN10 | RK | MKO |
| F7 | ECR-10-004503 | 13SEP11 | RK | MKO |





THIS INFORMATION IS CONFIDENTIAL AND PROPRIETARY TO TYCO ELECTRONICS CORPORATION AND ITS WORLDWIDE SUBSIDIARIES AND AFFILIATES. IT MAY NOT BE DISCLOSED TO ANYONE, OTHER THAN TYCO ELECTRONICS CORPORATION, WITHOUT WRITTEN AUTHORIZATION FROM TE (www.TE.com).

| PRODUCT DESCRIPTION CODE | TE PART NUMBER | STYLE & NUMBER OF POSITIONS | TERMINATION POSTS | LOADED ROWS | STANDARD PRE-MATING (MM 1) | PERFORMANCE LEVEL | BOARD LOCKS | |
|--------------------------|----------------|-----------------------------|--|-----------------------------|----------------------------|-------------------|-------------|-------------------------------|
| V42254B1101Q210 | 1393659-2 | Q20 | 2,9mm STRAIGHT SOLDER LEADS | EVERY ROW, EVERY PITCH | NO | 1 | YES | |
| V42254B1101R480 | 1393659-3 | R48 | 2,9mm STRAIGHT SOLDER LEADS | EVERY ROW, EVERY PITCH | NO | 1 | NO | |
| V42254B1101R960 | 1393659-4 | R96 | 2,9mm STRAIGHT SOLDER LEADS | EVERY ROW, EVERY PITCH | NO | 1 | NO | |
| V42254B1101R963 | 1393659-5 | R96 | 2,9mm STRAIGHT SOLDER LEADS | ROW A+C, EVERY PITCH | NO | 1 | NO | |
| V42254B1101R968 | 1393659-6 | R96 | 2,9mm STRAIGHT SOLDER LEADS | ROW A+C, EVERY EVEN PITCH | NO | 1 | NO | |
| V42254B1102Q200 | 1393659-7 | Q20 | 4,5mm STRAIGHT SOLDER LEADS | EVERY ROW, EVERY PITCH | NO | 1 | NO | |
| V42254B1102Q320 | 1393659-8 | Q32 | 4,5mm STRAIGHT SOLDER LEADS | EVERY ROW, EVERY PITCH | NO | 1 | NO | OBSOLETE |
| V42254B1102R480 | 1393659-9 | R48 | 4,5mm STRAIGHT SOLDER LEADS | EVERY ROW, EVERY PITCH | NO | 1 | NO | |
| V42254B1102R960 | 1-1393659-0 | R96 | 4,5mm STRAIGHT SOLDER LEADS | EVERY ROW, EVERY PITCH | NO | 1 | NO | |
| V42254B1102R960H | 1-1393659-1 | R96 | 4,5mm STRAIGHT SOLDER LEADS | EVERY ROW, EVERY PITCH | NO | 1 | NO | SUPERSEDED BY 4-1393659-5 (4) |
| V42254B1103R960 | 1-1393659-2 | R96 | 6,3mm STRAIGHT SOLDER LEADS | EVERY ROW, EVERY PITCH | NO | 1 | NO | OBSOLETE |
| V42254B1140Q640 | 1-1393659-5 | Q64 | 13mm STRAIGHT WIRE-WRAP PINS | EVERY ROW, EVERY PITCH | NO | 1 | NO | |
| V42254B1140R480 | 1-1393659-6 | R48 | 13mm STRAIGHT WIRE-WRAP PINS | EVERY ROW, EVERY PITCH | NO | 1 | NO | |
| V42254B1161R960 | 1393658-1 | R96 | 17mm PRESS-IN TERMINALS WITH WIRE-WRAP | EVERY ROW, EVERY PITCH | NO | 1 | NO | |
| V42254B1201Q200 | 2-1393659-0 | Q20 | 2,9mm STRAIGHT SOLDER LEADS | EVERY ROW, EVERY PITCH | NO | 2 | NO | |
| V42254B1201Q320 | 2-1393659-1 | Q32 | 2,9mm STRAIGHT SOLDER LEADS | EVERY ROW, EVERY PITCH | NO | 2 | NO | |
| V42254B1201Q640 | 2-1393659-2 | Q64 | 2,9mm STRAIGHT SOLDER LEADS | EVERY ROW, EVERY PITCH | NO | 2 | NO | SUPERSEDED BY 3-1393659-4 |
| V42254B1201R300 | 2-1393659-3 | R30 | 2,9mm STRAIGHT SOLDER LEADS | EVERY ROW, EVERY PITCH | NO | 2 | NO | |
| V42254B1201R303 | 2-1393659-4 | R30 | 2,9mm STRAIGHT SOLDER LEADS | ROW A+C, EVERY PITCH | NO | 2 | NO | OBSOLETE |
| V42254B1201R410 | 2-1393659-5 | R48 | 2,9mm STRAIGHT SOLDER LEADS | EVERY ROW, EVERY PITCH | NO | 2 | YES | |
| V42254B1201R480 | 2-1393659-6 | R48 | 2,9mm STRAIGHT SOLDER LEADS | EVERY ROW, EVERY PITCH | NO | 2 | NO | |
| V42254B1201R913 | 2-1393659-7 | R96 | 2,9mm STRAIGHT SOLDER LEADS | ROW A+C, EVERY PITCH | NO | 2 | YES | OBSOLETE |
| V42254B1201R960 | 2-1393659-8 | R96 | 2,9mm STRAIGHT SOLDER LEADS | EVERY ROW, EVERY PITCH | NO | 2 | NO | |
| V42254B1201R963 | 2-1393659-9 | R96 | 2,9mm STRAIGHT SOLDER LEADS | ROW A+C, EVERY PITCH | NO | 2 | NO | OBSOLETE |
| V42254B1201R968 | 3-1393659-0 | R96 | 2,9mm STRAIGHT SOLDER LEADS | ROW A+C, EVERY EVEN PITCH | NO | 2 | NO | OBSOLETE |
| V42254B1202Q320 | 3-1393659-1 | Q32 | 4,5mm STRAIGHT SOLDER LEADS | EVERY ROW, EVERY PITCH | NO | 2 | NO | OBSOLETE 2) |
| V42254B1202Q320N | 3-1393659-2 | Q32 | 4,5mm STRAIGHT SOLDER LEADS | EVERY ROW, EVERY PITCH | NO | 2 | NO | |
| V42254B1202Q640 | 3-1393659-4 | Q64 | 4,5mm STRAIGHT SOLDER LEADS | EVERY ROW, EVERY PITCH | NO | 2 | NO | |
| V42254B1202R300 | 3-1393659-5 | R30 | 4,5mm STRAIGHT SOLDER LEADS | EVERY ROW, EVERY PITCH | NO | 2 | NO | OBSOLETE |
| V42254B1202R303 | 3-1393659-6 | R30 | 4,5mm STRAIGHT SOLDER LEADS | ROW A+C, EVERY PITCH | NO | 2 | NO | |
| V42254B1202R410 | 3-1393659-7 | R48 | 4,5mm STRAIGHT SOLDER LEADS | EVERY ROW, EVERY PITCH | NO | 2 | YES | |
| V42254B1202R480 | 3-1393659-9 | R48 | 4,5mm STRAIGHT SOLDER LEADS | EVERY ROW, EVERY PITCH | NO | 2 | NO | |
| V42254B1202R483 | 4-1393659-0 | R48 | 4,5mm STRAIGHT SOLDER LEADS | ROW A+C, EVERY PITCH | NO | 2 | NO | OBSOLETE |
| V42254B1202R910 | 4-1393659-1 | R96 | 4,5mm STRAIGHT SOLDER LEADS | EVERY ROW, EVERY PITCH | NO | 2 | YES | |
| V42254B1202R913 | 4-1393659-2 | R96 | 4,5mm STRAIGHT SOLDER LEADS | ROW A+C, EVERY PITCH | NO | 2 | YES | OBSOLETE |
| V42254B1202R930 | 4-1393659-3 | R96 | 4,5mm STRAIGHT SOLDER LEADS | EVERY ROW, EVERY PITCH | YES | 2 | NO | |
| V42254B1202R933 | 4-1393659-4 | R96 | 4,5mm STRAIGHT SOLDER LEADS | ROW A+C, EVERY PITCH | YES | 2 | NO | SUPERSEDED BY 4-1393659-7 |
| V42254B1202R960 | 4-1393659-5 | R96 | 4,5mm STRAIGHT SOLDER LEADS | EVERY ROW, EVERY PITCH | NO | 2 | NO | |
| V42254B1202R960N | 4-1393659-6 | R96 | 4,5mm STRAIGHT SOLDER LEADS | EVERY ROW, EVERY PITCH | NO | 2 | NO | OBSOLETE 2) |
| V42254B1202R963 | 4-1393659-7 | R96 | 4,5mm STRAIGHT SOLDER LEADS | ROW A+C, EVERY PITCH | NO | 2 | NO | |
| V42254B1202R965 | 4-1393659-8 | R96 | 4,5mm STRAIGHT SOLDER LEADS | EVERY ROW, EVERY EVEN PITCH | NO | 2 | NO | |
| V42254B1202R968 | 4-1393659-9 | R96 | 4,5mm STRAIGHT SOLDER LEADS | ROW A+C, EVERY EVEN PITCH | NO | 2 | NO | |
| V42254B1203R963 | 5-1393659-0 | R96 | 6,3mm STRAIGHT SOLDER LEADS | ROW A+C, EVERY PITCH | NO | 2 | NO | OBSOLETE |
| V42254B1230R303 | 5-1393659-1 | R30 | 5,5/10mm SOLDER HOOKS | ROW A+C, EVERY PITCH | NO | 2 | NO | |
| V42254B1230R960 | 5-1393659-3 | R96 | 5,5/10mm SOLDER HOOKS | EVERY ROW, EVERY PITCH | NO | 2 | NO | |
| V42254B1230R963 | 5-1393659-4 | R96 | 5,5/10mm SOLDER HOOKS | ROW A+C, EVERY PITCH | NO | 2 | NO | |
| V42254B1240Q640 | 5-1393659-6 | Q64 | 13mm STRAIGHT WIRE-WRAP PINS | EVERY ROW, EVERY PITCH | NO | 2 | NO | |
| V42254B1240R300 | 5-1393659-7 | R30 | 13mm STRAIGHT WIRE-WRAP PINS | EVERY ROW, EVERY PITCH | NO | 2 | NO | |
| V42254B1240R960 | 5-1393659-8 | R96 | 13mm STRAIGHT WIRE-WRAP PINS | EVERY ROW, EVERY PITCH | NO | 2 | NO | |
| V42254B1240R963 | 5-1393659-9 | R96 | 13mm STRAIGHT WIRE-WRAP PINS | ROW A+C, EVERY PITCH | NO | 2 | NO | |
| V42254B1260R483 | 1393658-2 | R48 | 13mm PRESS-IN TERMINALS WITH WIRE-WRAP | EVERY ROW, EVERY PITCH | NO | 2 | NO | |
| V42254B1260R960 | 1393658-3 | R96 | 13mm PRESS-IN TERMINALS WITH WIRE-WRAP | EVERY ROW, EVERY PITCH | NO | 2 | NO | |
| V42254B1260R963 | 1393658-5 | R96 | 13mm PRESS-IN TERMINALS WITH WIRE-WRAP | ROW A+C, EVERY PITCH | NO | 2 | NO | OBSOLETE |
| V42254B1261R480 | 1393658-7 | R48 | 17mm PRESS-IN TERMINALS WITH WIRE-WRAP | EVERY ROW, EVERY PITCH | NO | 2 | NO | |
| V42254B1263Q320 | 9-1393501-4 | Q32 | 3,7mm PRESS-IN TERMINALS | EVERY ROW, EVERY PITCH | NO | 2 | NO | |
| V42254B1263Q640 | 1393658-9 | Q64 | 3,7mm PRESS-IN TERMINALS | EVERY ROW, EVERY PITCH | NO | 2 | NO | |
| V42254B1263R300 | 1-1393658-0 | R30 | 3,7mm PRESS-IN TERMINALS | EVERY ROW, EVERY PITCH | NO | 2 | NO | |
| V42254B1263R300*40 | 1-1393658-1 | R30 | 3,7mm PRESS-IN TERMINALS | EVERY ROW, EVERY PITCH | NO | 2 | NO | SUPERCEDED |
| V42254B1263R330 | 9-1393501-5 | R30 | 3,7mm PRESS-IN TERMINALS | EVERY ROW, EVERY PITCH | YES | 2 | NO | |
| V42254B1263R480 | 1-1393658-2 | R48 | 3,7mm PRESS-IN TERMINALS | EVERY ROW, EVERY PITCH | NO | 2 | NO | |
| V42254B1263R483 | 1-1393658-3 | R48 | 3,7mm PRESS-IN TERMINALS | ROW A+C, EVERY PITCH | NO | 2 | NO | |
| V42254B1263R960 | 1-1393658-4 | R96 | 3,7mm PRESS-IN TERMINALS | EVERY ROW, EVERY PITCH | NO | 2 | NO | |
| V42254B1263R963 | 1-1393658-5 | R96 | 3,7mm PRESS-IN TERMINALS | ROW A+C, EVERY PITCH | NO | 2 | NO | |
| V42254B1266R300 | 1-1393658-6 | R30 | 13mm PRESS-IN TERMINALS WITH WIRE-WRAP AN ADAPTER INSERTION AREA | EVERY ROW, EVERY PITCH | NO | 2 | NO | |
| V42254B1266R483 | 1-1393658-7 | R48 | 13mm PRESS-IN TERMINALS WITH WIRE-WRAP AN ADAPTER INSERTION AREA | ROW A+C, EVERY PITCH | NO | 2 | NO | OBSOLETE |
| V42254B1266R960 | 1-1393658-8 | R96 | 13mm PRESS-IN TERMINALS WITH WIRE-WRAP AN ADAPTER INSERTION AREA | EVERY ROW, EVERY PITCH | NO | 2 | NO | |
| V42254B1266R963 | 1-1393658-9 | R96 | 13mm PRESS-IN TERMINALS WITH WIRE-WRAP AN ADAPTER INSERTION AREA | ROW A+C, EVERY PITCH | NO | 2 | NO | |
| V42254B1270R300 | 3-139-6 | R30 | 6,0mm PRESS-IN TERMINALS FOR PCB-THICKNESS >=2,2mm | EVERY ROW, EVERY PITCH | NO | 2 | NO | |
| V42254B1270R960 | 2-1393658-1 | R96 | 6,0mm PRESS-IN TERMINALS FOR PCB-THICKNESS >=2,2mm | EVERY ROW, EVERY PITCH | NO | 2 | NO | |
| V42254B1270R963 | 2-1393658-2 | R96 | 6,0mm PRESS-IN TERMINALS FOR PCB-THICKNESS >=2,2mm | ROW A+C, EVERY PITCH | NO | 2 | NO | |
| V42254B1270R968 | 2-1393658-3 | R96 | 6,0mm PRESS-IN TERMINALS FOR PCB-THICKNESS >=2,2mm | ROW A+C, EVERY EVEN PITCH | NO | 2 | NO | |
| V42254B1468R960 | 3-1393658-8 | R96 | 20mm PRESS-IN TERMINALS WITH WIRE-WRAP AN ADAPTER INSERTION AREA | EVERY ROW, EVERY PITCH | NO | 1 | NO | |
| V42254F1101R480 | 7-1393659-4 | R48 | 2,9mm STRAIGHT SOLDER LEADS | EVERY ROW, EVERY PITCH | NO | 1 | NO | 3) 3) |
| V42254F1201R410 | 7-1393659-5 | R48 | 2,9mm STRAIGHT SOLDER LEADS | EVERY ROW, EVERY PITCH | NO | 2 | YES | |

4) ACCORDING TO BT 222 LEVEL 1.
 3) CONNECTORS WITH FLUX-TIGHT COATING.
 2) NO COMPANY NAME MARKED ON THE CONNECTOR.
 1) FIRST AND LAST CONTACT OF EACH LOADED ROW IS A PRE-MATING (MAKE FIRST / BREAK LAST) CONTACT.

ACTIVE PART NUMBERS.
 CONTACT TE FOR OTHER CONFIGURATION AVAILABILITY.

THIS INFORMATION IS CONFIDENTIAL AND PROPRIETARY TO TYCO ELECTRONICS CORPORATION AND ITS WORLDWIDE
 WORLDWIDE SUBSIDIARIES AND AFFILIATES. IT MAY NOT BE DISCLOSED TO ANYONE, OTHER THAN TYCO ELECTRONICS CORPORATION,
 WITHOUT WRITTEN AUTHORIZATION FROM TE (www.TE.com).

THIS DRAWING IS A CONTROLLED DOCUMENT. DWN: CUVELIER 21FEB99

| | | |
|-------------------|---|---|
| DIMENSIONS: mm | TOLERANCES UNLESS OTHERWISE SPECIFIED: 0 PLC ± - 1 PLC ± - 2 PLC ± - 3 PLC ± - 4 PLC ± - ANGLES ± - | TE Connectivity NAME: PIN ASSEMBLY EUROCARD TYPES Q AND R AND SHORT VERSIONS APPLICATION SPEC: - SIZE: A1 CASE CODE: - DRAWING NO: 9-1393501-4 RESTRICTED TO: - WEIGHT: - SCALE: NTS SHEET: 3 OF 3 REV: F7 |
| MATERIAL: - | FINISH: - | |

CUSTOMER DRAWING