



FME Plug Bulkhead to UMCX Plug Front Mount
Cable 12 Inch Length Using 1.13mm Coax

TECHNICAL DATA SHEET

PE38857-12

FME Plug Bulkhead to UMCX Plug Front Mount Cable 12 Inch Length Using 1.13mm Coax

Configuration

Connector 1	FME Plug Bulkhead
Connector 2	UMCX Plug Right Angle
Cable Type	1.13mm

Electrical Specifications

Frequency Range, GHz	DC to 1.8
Impedance, Ohms	50
Dielectric Withstanding Voltage (AC), Vrms	200

Mechanical Specifications

Cable Assembly

Cable Type	1.13mm
------------	--------

Temperature

Temperature Operating Range, deg C	-40 to +90
------------------------------------	------------

Size

Length, in [mm]	12 [304.8]
Diameter, in [mm]	0.044 [1.12]
Weight, lbs [g]	0.1 [45.36]

Cable

No of Shields	1
Jacket Material	FEP
Jacket Diameter, in [mm]	0.044 [1.12]

Connector 1

Type	FME Plug Bulkhead
Configuration	Straight
Mount Method	Bulkhead
Inner Conductor Material and Plating	Brass, Gold
Body Material and Plating	Brass, Nickel
Dielectric Type	Teflon

Connector 2

Type	UMCX Plug Right Angle
Configuration	Right Angle
Inner Conductor Material and Plating	Phosphor Bronze, Gold
Body Material and Plating	Phosphor Bronze, Gold
Dielectric Type	PBT

Click the following link (or enter part number in "SEARCH" on website) to obtain additional part information including price, inventory and certifications: [FME Plug Bulkhead to UMCX Plug Front Mount Cable 12 Inch Length Using 1.13mm Coax PE38857-12](#)

The information contained in this document is accurate to the best of our knowledge and representative of the part described herein. It may be necessary to make modifications to the part and/or the documentation of the part, in order to implement improvements. Pasternack reserves the right to make such changes as required. Unless otherwise stated, all specifications are nominal.





FME Plug Bulkhead to UMCX Plug Front Mount
Cable 12 Inch Length Using 1.13mm Coax

TECHNICAL DATA SHEET

PE38857-12

Compliance Certifications (visit www.Pasternack.com for current document)

RoHS Compliant

Yes

Plotted and Other Data

Notes:

Values at 25 °C, sea level

FME Plug Bulkhead to UMCX Plug Front Mount Cable 12 Inch Length Using 1.13mm Coax from Pasternack Enterprises has same day shipment for domestic and International orders. Our RF, microwave and fiber optic products maintain a 99% availability and are part of the broadest selection in the industry.

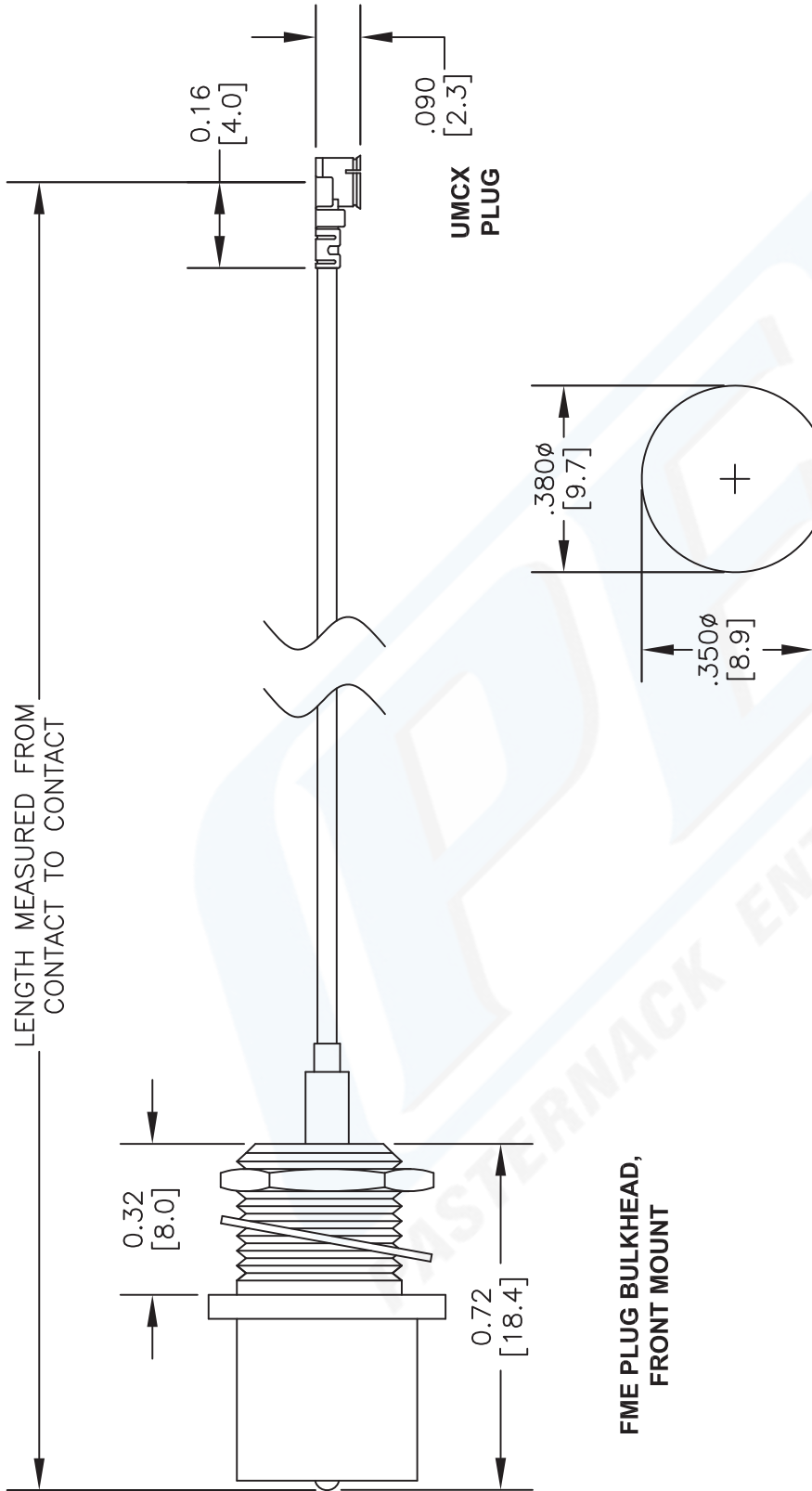
Click the following link (or enter part number in "SEARCH" on website) to obtain additional part information including price, inventory and certifications: [FME Plug Bulkhead to UMCX Plug Front Mount Cable 12 Inch Length Using 1.13mm Coax PE38857-12](http://www.pasternack.com/fme-plug-umcx-plug-1.13mm-cable-assembly-pe38857-12-p.aspx)

URL: <http://www.pasternack.com/fme-plug-umcx-plug-1.13mm-cable-assembly-pe38857-12-p.aspx>

The information contained in this document is accurate to the best of our knowledge and representative of the part described herein. It may be necessary to make modifications to the part and/or the documentation of the part, in order to implement improvements. Pasternack reserves the right to make such changes as required. Unless otherwise stated, all specifications are nominal.

PE38857-12 CAD Drawing

FME Plug Bulkhead to UMCX Plug Front Mount Cable 12 Inch Length Using 1.13mm Coax



FME PLUG BULKHEAD, FRONT MOUNT

How To Order		Part # Ext.	Length In Inches	Part # Ext.	Length In Centimeters
Part Number Configuration		-12	12"	-25CM	25Cm
PE3	zzz yy - xx uu	-24	24"	-50CM	50Cm
00 - 99999	LF = RoHS Compliant < Blank > = Standard	-36	36"	-75CM	75Cm
	Note: LF applies only to RF cables	-48	48"	-100CM	100Cm
		-60	60"	-125CM	125Cm
		-xx	Custom Length	-xxCM	Custom Length

PE PASTERNAK®
 Pasternack Enterprises, Inc.
 P.O. Box 16759 | Irvine | CA | 92623
 Phone: (949) 261-1920 | Fax: (949) 261-7451
 Website: www.pasternack.com | E-Mail: sales@pasternack.com

DWG TITLE
PE38857

NOTES:
 1. UNLESS OTHERWISE SPECIFIED ALL DIMENSIONS ARE NOMINAL.
 2. ALL SPECIFICATIONS ARE SUBJECT TO CHANGE WITHOUT NOTICE AT ANY TIME.
 3. DIMENSIONS ARE IN INCHES [mm].
 4. LENGTH TOLERANCE IS ± 1.5% OR 3/8", WHICHEVER IS GREATER.

FSCM NO. 53919	CAD FILE 021710	SCALE N/A	SIZE A	2233
----------------	-----------------	-----------	--------	------