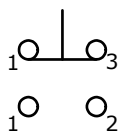
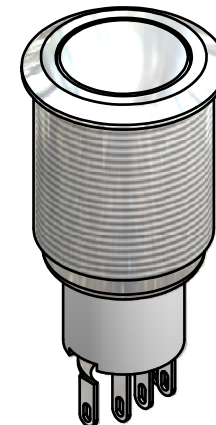
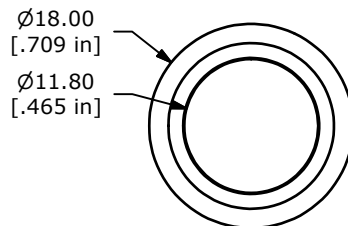


PANEL CUTOUT  
MAX. PANEL THICKNESS  
14.0mm [.551]

SWITCH FUNCTION	
POS. 1	POS. 2
ON	(ON)
1-3	1-2

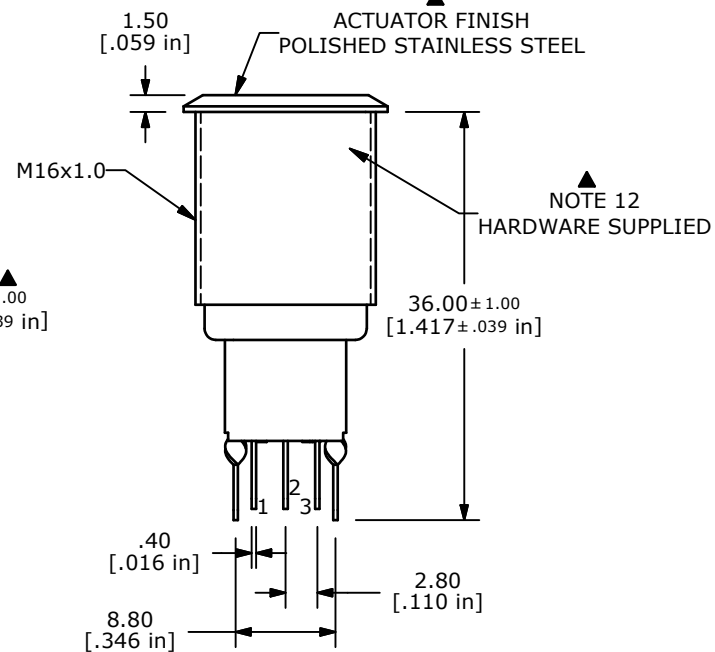
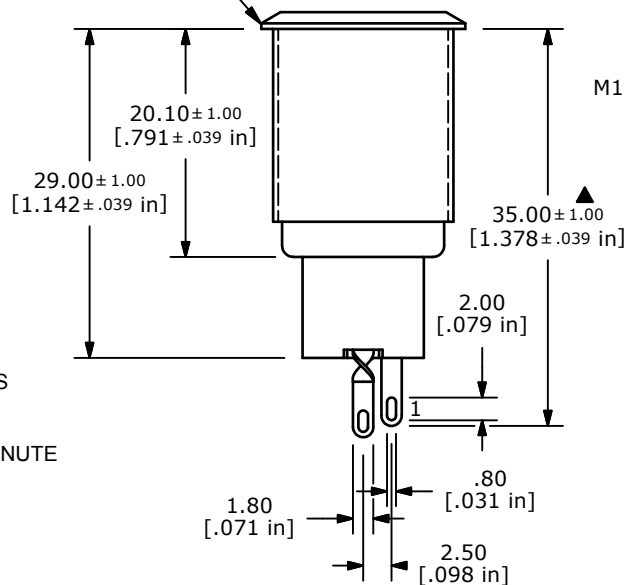
(ON) = MOMENTARY



SPDT  
CONTACT CONFIGURATION

BODY FINISH  
POLISHED STAINLESS STEEL

ACTUATOR FINISH  
POLISHED STAINLESS STEEL



NOTE 12  
HARDWARE SUPPLIED

- NOTE:
1. ALL DIMENSIONS IN MM [INCH]
  2. GENERAL TOLERANCE: X.X=±0.4  
X.XX=±0.25
  3. TERMINAL NUMBERS FOR REF ONLY
  - ▲ 4. CONTACT MATERIAL: SILVER
  5. RATING: 2A 48VDC
  6. ELECTRIC LIFE: 50,000 MAKE-AND-BREAK CYCLES AT FULL LOAD.
  7. INSULATION RESISTANCE: 1,000 MΩ MIN.
  8. DIELECTRIC STRENGTH: 2,000 VAC MIN. FOR 1 MINUTE
  9. CONTACT RESISTANCE: 50mΩ MAX. @ 1A 12VDC
  10. OPERATING TEMP.: -20°C to 55°C
  11. ▲ DENOTES CRITICAL PARAMETER.
  12. HARDWARE SUPPLIED: O-RING AND HEXNUT
  - ▲ 13. INGRESS RATING: IP40
  14. 2002/95/EC (ROHS) COMPLIANT



TITLE PV3F2B0SS

B	20410	UPDATE AND CONVERT	01/17/12	BMA
REV	PCR NO	DESCRIPTION	DATE	BY

SCALE	DATE	DR	DWG	REV
1.5:1	1/19/2012	BMA	52-PV3F2B0SS	B

THE INFORMATION CONTAINED IN THIS DOCUMENT IS PROPRIETARY TO E-SWITCH AND IS NOT TO BE COPIED OR TRANSFERRED