

**PLEASE CHECK WWW.MOLEX.COM FOR LATEST PART INFORMATION**

**Part Number:** **0190380011**  
**Status:** **Active**  
**Description:** InsulKrimp™ Snap Plug Receptacle for 14-16 AWG Wire, PVC, Fits Male Plug Diameter 4.57mm (.180")

**Documents:**

[Drawing \(PDF\)](#) [RoHS Certificate of Compliance \(PDF\)](#)

**Agency Certification**

CSA LR18689  
 UL E152602

**General**

Product Family Quick Disconnects  
 Series [19038](#)  
 Comments Fits Male Plug Dia. 4.57mm (.180")  
 Crimp Quality Equipment Yes  
 Product Name InsulKrimp™  
 Type Snap Receptacle

**Physical**

Barrel Type Closed  
 Color - Resin Natural  
 Flammability 94V-0  
 Gender Female  
 Glow-Wire Compliant No  
 Insulation PVC  
 Lock to Mating Part None  
 Material - Metal Brass  
 Material - Plating Mating Tin  
 Material - Plating Termination Tin  
 Material - Resin PVC  
 Orientation Straight  
 Packaging Type Bag  
 Tab Thickness N/A  
 Tab Width N/A  
 Termination Interface: Style Crimp or Compression  
 Wire Insulation Diameter 3.81mm (.150") max.  
 Wire Size AWG 14, 16  
 Wire Size mm² 1.00 - 2.50

**Electrical**

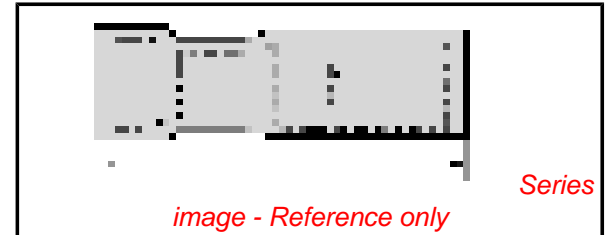
Voltage - Maximum 600V

**Material Info**

Old Part Number BRB-2180

**Reference - Drawing Numbers**

Sales Drawing SD-19038-001



**EU RoHS**

**ELV and RoHS Compliant**  
**REACH SVHC**  
 Not Reviewed  
**Halogen-Free Status**  
 Not Reviewed

**China RoHS**



**Need more information on product environmental compliance?**

Email [productcompliance@molex.com](mailto:productcompliance@molex.com)  
 For a multiple part number RoHS Certificate of Compliance, [click here](#)

Please visit the [Contact Us](#) section for any non-product compliance questions.

**Search Parts in this Series**

[19038Series](#)

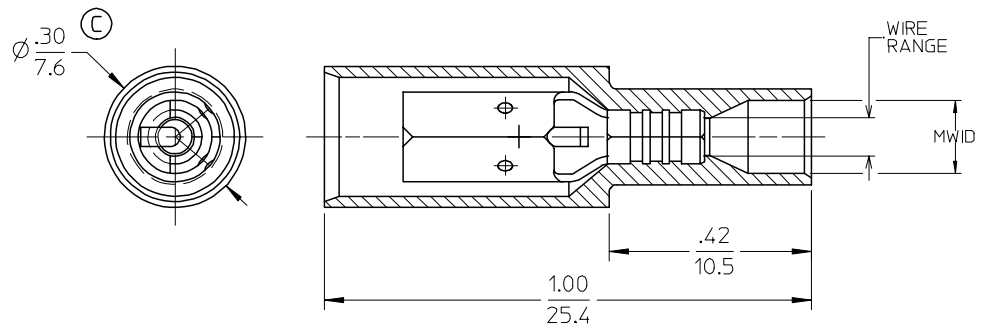
**Application Tooling | FAQ**

*Tooling specifications and manuals are found by selecting the products below. Crimp Height Specifications are then contained in the Application Tooling Specification document.*

**Global**

Description	Product #
Hand Crimp Tool	<a href="#">0640012100</a>
Crimp Head for the AT-200™ Pneumatic Hand Tool	<a href="#">0640052100</a>

MATERIAL NO. NYLON	ENGINEERING NO. NYLON	INSULATION NYLON COLOR	MATERIAL NO. PVC	ENGINEERING NO. PVC	INSULATION PVC COLOR	WIRE RANGE AWG / MM <sup>2</sup>	MWID	FITS MALE PLUG DIA.
190380037	BRA-2156N	LIGHT RED	190380001	BRA-2156	RED	22-18 / 0.25-1.3	.128/(3.25)	.156/(3.96)
190380006	BRA-2180N	LIGHT RED	190380004	BRA-2180	RED	22-18 / 0.25-1.3	.128/(3.25)	.180/(4.57)
190380009	BRB-2156N	LIGHT BLUE	190380007	BRB-2156	DARK BLUE	16-14 / 1.0-2.6	.150/(3.81)	.156/(3.96)
190380013	BRB-2180N	LIGHT BLUE	190380011	BRB-2180	DARK BLUE	16-14 / 1.0-2.6	.150/(3.81)	.180/(4.57)



# SALES DRAWING

**NOTE(S):**

1. RECEPTACLE MATERIAL: .016/(0.41) THK BRASS
2. RECEPTACLE FINISH: TIN PLATING
3. MWID = MAXIMUM WIRE INSULATION DIAMETER
4. ALL COMPONENTS ARE ROHS COMPLIANT.

Ⓢ

REVISE DIM.	EC NO: ETC2006-0450 DRWN: CYORK 2006/05/23 CHKD: JMACNEIL 2006/05/24 APPR: RDEROSS 2006/05/24	DESCRIPTION	QUALITY SYMBOLS	GENERAL TOLERANCES (UNLESS SPECIFIED)	SCALE 5:1	DESIGN UNITS INCH	THIRD ANGLE PROJECTION	REVISE ON CAD ONLY	
			REV	▽ = 0	mm INCH	DIMENSION STYLE IN/MM		TITLE	FULLY INSULATED INSULK FEMALE BULLET RECEPTACLE
				▽ = 0	4 PLACES ± --- ± ---	DRAWN BY DAY	DATE 97/07/07	MOLEX MOLEX INCORPORATED	
					3 PLACES ± --- ± .005	CHECKED BY RWD	DATE 97/07/07		
		2 PLACES ± 0.13 ± .01	APPROVED BY RWD	DATE 97/07/07	MATERIAL NO. SEE CHART	DOCUMENT NO. SD-19038-001	SHEET NO. 1 OF 1		
		1 PLACE ± 0.25 ± ---	DRAFT WHERE APPLICABLE MUST REMAIN WITHIN DIMENSIONS		THIS DRAWING CONTAINS INFORMATION THAT IS PROPRIETARY TO MOLEX INCORPORATED AND SHOULD NOT BE USED WITHOUT WRITTEN PERMISSION				
		ANGULAR ±1/2°							