

**PLEASE CHECK WWW.MOLEX.COM FOR LATEST PART INFORMATION**

**Part Number:** [0733910321](#)  
**Status:** **Active**  
**Overview:** SMA RF Connectors  
**Description:** 50 Ohms, SMA Jack, Right-Angle, PCB with Reverse Polarity, 0.025µm Gold Plated Contact, 2.54µm Nickel Plated Body and Cap

**Documents:**

[3D Model](#) [3D Model \(PDF\)](#)  
[Drawing \(PDF\)](#) [RoHS Certificate of Compliance \(PDF\)](#)

**General**

Product Family	RF/Coax Connectors
Series	<a href="#">73391</a>
Overview	<a href="#">SMA RF Connectors</a>
Product Name	SMA
Style	PCB
Type	Subminiature
UPC	887191214207
Wire/Cable Type	N/A

**Physical**

Gender	Jack
Keying to Mating Part	None
Net Weight	3.197/g
Orientation	Right Angle
PCB Mounting	Through Hole
Packaging Type	Tray
Panel Mount	No
Panel Mount Method	N/A
Reverse Polar	Yes

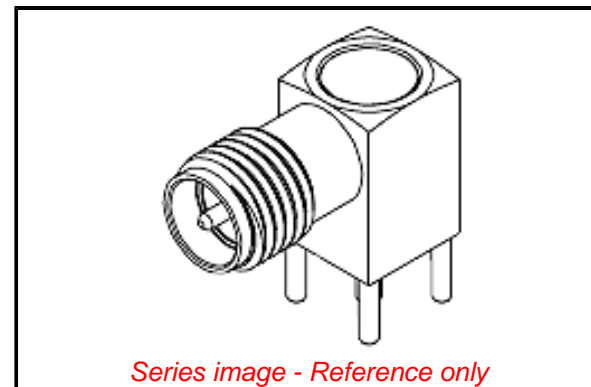
**Electrical**

Frequency	18 GHz
Impedance	50Ω
Power / Voltage	VOLTAGE: 500 Vrms@Sea Level

**Material Info**

**Reference - Drawing Numbers**

Sales Drawing	SD-73391-032-001
---------------	------------------



*Series image - Reference only*

**EU ELV**

**Not Relevant**

**EU RoHS**

**Compliant with Exemption 6(c)**

**REACH SVHC**

Contained Per - ECHA\_01\_2020 (16 January 2020)

Lead

**Halogen-Free**

**Status**

**Low-Halogen**

For more information, please visit [Contact US](#)

China ROHS

50 Image

ELV

Not Relevant

RoHS Phthalates

Not Contained

**Search Parts in this Series**

[73391 Series](#)

**PLEASE CHECK WWW.MOLEX.COM FOR LATEST PART INFORMATION**