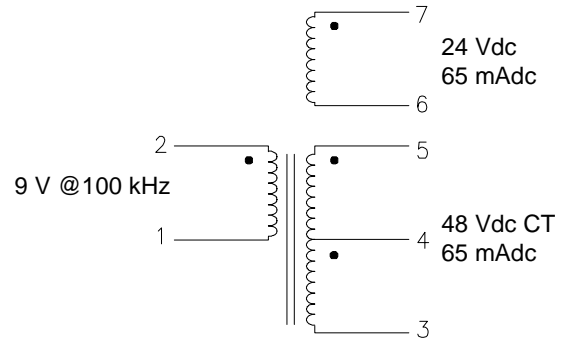


Flyback Transformer

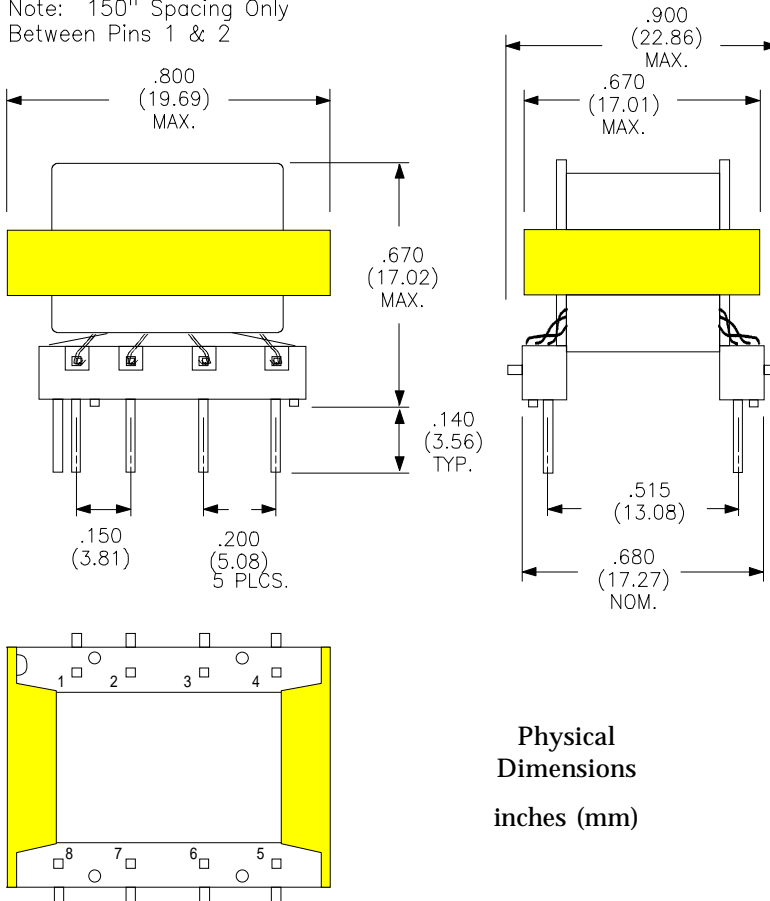
Turns Ratio (7-6:2-1, 5-4:2-1 & 4-3:2-1) 1:1 ± 2%

Parameter		Min.	Max.	Units
Inductance	(2-1)	30.4	45.6	mH
Leakage Inductance			0.5	μH
DC Resistance	(2-1)		0.180	ohms
DC Resistance	(4-3)		0.180	ohms
DC Resistance	(5-4)		0.180	ohms
DC Resistance	(7-6)		0.180	ohms
Hi-Pot	(2-1) to (7-6) + (5-3)	1000		V _{RMS}
	(7-6) to (5-3)	200		V _{RMS}

Schematic Diagram



Note: 150" Spacing Only
Between Pins 1 & 2



RHOMBUS P/N: T-1036

CUST P/N:

NAME:

DATE: 11/14/98

SHEET: