

SBC



ISA-391LF

ISA VIA Nano/Eden ULV
CPU Card w/VGA/SATA/
CF/LAN

Features :

- Support VIA Nano 1.3G/Eden ULV 500MHz Support FSB 800/667/533 MHz
- Memory Support DDR2 SO-DIMM 400/533/667 MHz SDRAM up to 2GB
- Support one 10/100M Ethernet Optional Giga Ethernet
- Expansion Slot for one PC/104 slot



Protech Systems Co., Ltd.

No. 24, Lane 365, Yang Goang Street, Nei Hu District Taipei 114, Taiwan
TEL: +886-2-8751-1111 FAX: +886-2-8751-1199
E-mail: sales@protech.com.tw
<http://www.protech.com.tw>

Protech Technologies Inc.

950 Fee Ana St, Suite B Placentia, CA 92870
TEL: +1-714- 996-7200 FAX: +1-714- 996-7300
Sales: sales@protech-usa.net
<http://www.protech-usa.net>

Protech Japan Co., Ltd.

OSK Bldg, 6F, 6-25-14, Minami-ohi Shinagawa-ku, Tokyo, 140-0013
TEL: +81-3-5753-8411 FAX: +81-3-3763-9282
E-mail: sam@protech-j.com
<http://www.protech-j.com>

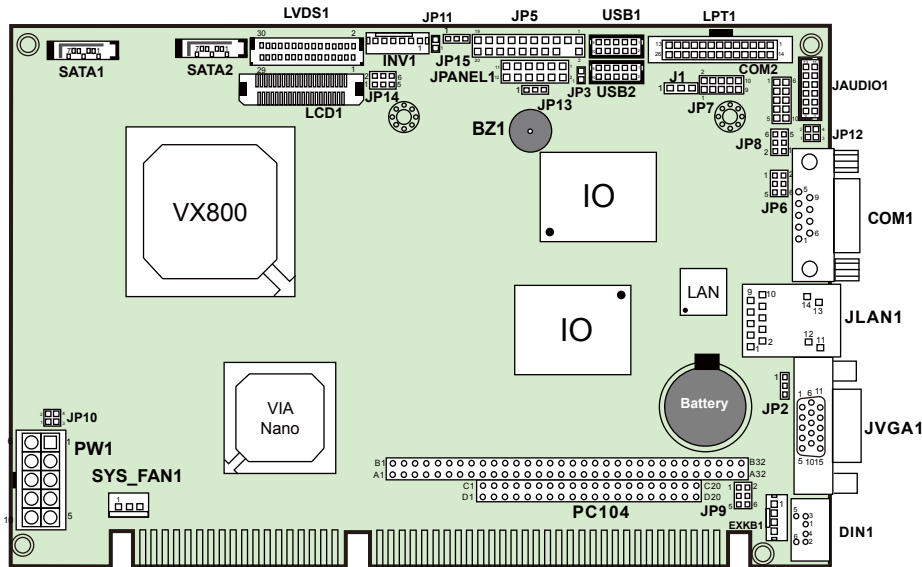


ISO CERTIFIED

9001 14001

ISA-391LF

ISA VIA Nano/Eden ULV CPU Card w/VGA/SATA/CF/LAN



Specifications	
System	
CPU Support	VIA Nano 1.3G/Eden ULV 500MHz
CPU Frequency	Nano 1.3G/Eden ULV 500MHz
Chipset	VIA VX800
DRAM	1 x 200Pin DDR2 SO-DIMM to support 400/533/667MHz up to 2GB
BIOS	AMI BIOS
Watchdog	1~255 secs Watchdog timer selectable
Power Supply	Support AT/ATX power
Power Requirement	+5V, +12V
Power Consumption	+5V : 9.66A /+12V : 1.67A (Nano1.3G)
Dimension	185 mm x 122 mm (7.28" x 4.8")
Certificate	FCC / CE

I/O Chipset	
SATA Interface	2 x S-ATA II connector
SSD	1 x Compact flash (IDE)
Expansion BUS	1 x PC/104 slot
Serial Port	2 x COM port, COM 1 for RS-232, COM 2 for RS-232/422/485 1 x LPC pin-header onboard
Parallel Port	1 x Parallel port (SPP / EPP / ECP)
Keyboard	PS/2 connector, with mini DIN connector
Mouse	PS/2 connector, with mini DIN connector

LAN	Realtek 8103E 10/100Mbps, support Wake-on-LAN with ATX power (Realtek 8111DL GbE for optional)
Audio	Support HD Audio daughter board
USB	4 x USB 2.0

Display	
Graphics	Build-in VX800, share system memory (VX800 supports Direct X9); Supports VGA, LVDS, TTL (18bit & 18bit)
LCD Interface	18 bit single channel LVDS / 18bit TTL

Environment	
Operation Temp.	0° ~ 60° C (32° ~ 140° F)
Storage Temp.	- 40° ~ 85° C (- 40° ~ 185° F)
Humidity	Operation humidity 20 ~ 90%, storage humidity 20 ~ 95%

Ordering Information	
ISA-391LF-N1.3G	ISA VIA Nano 1.3 CPU Card w/ VGA / 2COM / LAN / SATA / CF
ISA-391LF-E500M	ISA VIA Eden ULV 500MHz CPU Card w/ VGA / 2COM / LAN / SATA / CF

All of trademarks and brand names are the property of their owners. Trademark "Protech" is the property of Protech Systems Co., Ltd. All information contained in this document is subject to change without any prior notice. This catalog is copyrighted in Sep. 2011.