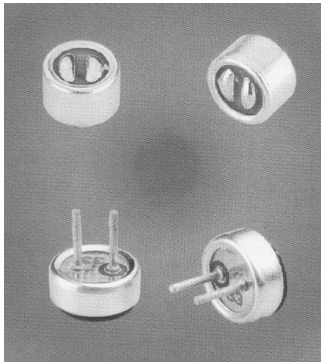


# Soberton Inc.

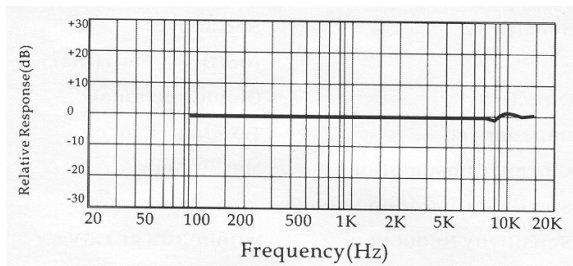
## EM4530 & EM4530P-C

*Omnidirectional Electret Condenser Microphone*

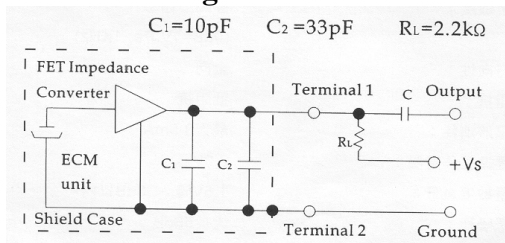


Sensitivity	OdB = 1V/Pa. 1KHz
Directivity	Omnidirectional
Impedance	Low Impedance
Current Consumption	Max. 0.5mA
Standard Operation Voltage	2.0V
Sensitivity Reduction	Within -3dB at 1.5V
S/N Ratio	More than 60dB
<b>Sensitivity Range</b>	<b>-42 ± 4dB, -44 ± 4dB, -46 ± 4dB, -48 ± 4dB</b>

### Typical Frequency Response Curve:

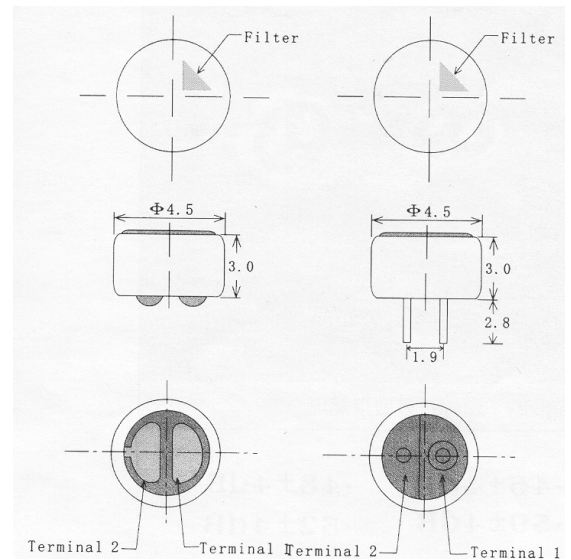


### Schematic Diagram:



EM4530

EM4530P-C



Unit: mm