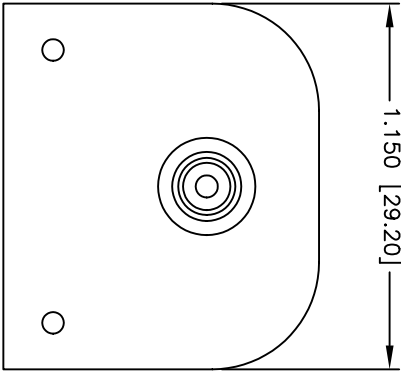
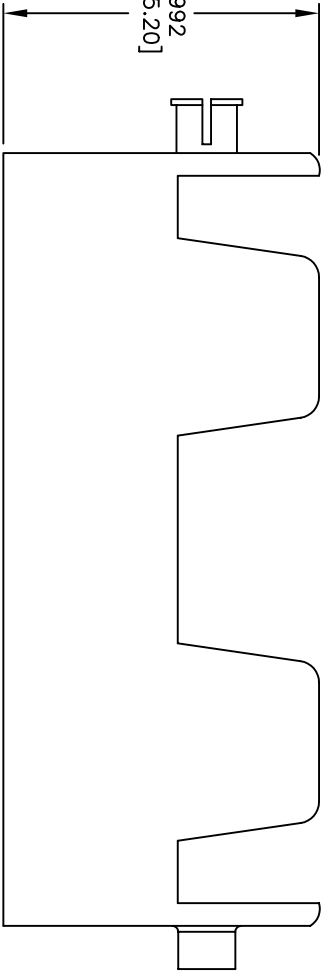
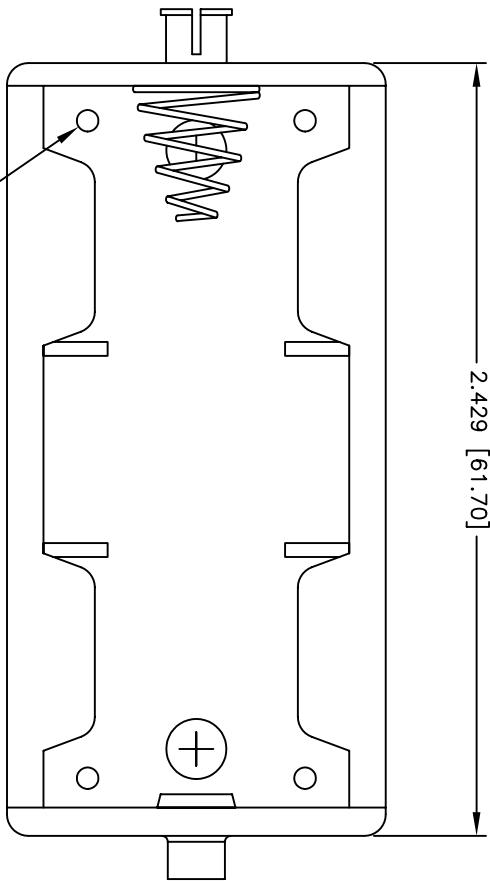


Rev	AWO #	Description	Date	Appr
-		RELEASED	1/20/05	

APPROVED: _____
 DATE: _____ TITLE: _____



SPECIFICATIONS:

Material:
 Insulator: Impact resistant Polypropylene, rated UL94-HB
 Insulator color: Black
 Spring: Steel, Nickel plated
 Contacts: Steel, Nickel plated
 Snap terminals: Brass, Nickel plated
Electrical:
 Operating voltage: 1.5 VDC max.
 Temperature Rating:
 Operating temperature: -10°C to +80°C
Environmental:
 Lead free, RoHS compliant



UNLESS OTHERWISE SPECIFIED
 ALL DIMENSIONS ARE INCHES [MM]
 TOLERANCES: EXCEPT AS NOTED
 INCHES Holes
 .X ± .10 ØXX ± .10
 .XX ± .020 ØXXX ± .015
 .XXX ± .015 ØXXXX ± .010

ADAM TECH
 909 Rahway Avenue, Union, NJ 07083
 Phone: 908-687-5000 Fax: 908-687-5710

TITLE: BATTERY HOLDER, MALE/FEMALE SNAPS
 FOR ONE "C" CELL

DRAWN	SS	1/20/05
CHECKED		
APPROVED		

SIZE	PART NO.	REV.
X	BH-12-2	-
REF:	SCALE: NTS	SHEET 1 OF 1

6 5 4 3 2 1