

# HIRSCHMANN MOBILITY

# CELLULAR (2G/3G)/ GPS Adhesive/ Magnetic Antenna



## GPS 1890 LP P/series

Pt no.  
**920-061-...**

- Low Profile antenna
- Reception antenna for GPS satellite signals for processing in navigation systems, fleet management systems, traffic guidance systems and vehicle location. In combination with low profile cellular phone antenna.
- Low body height ca. 21 mm
- Coverage of European and American cellular phone frequencies
- Mounting on several surfaces (e.g. glass, plastics, metal ...)

Subject to alterations

### Technical data

Dimensions (without rod)	102 mm x 66 mm x 20 mm	
Weight	ca. 151 g	
Temperature range	-40 – +80°C	
Protection class	IP66 (acc. IEC 60529)	
<b>GPS</b>		
Frequency range	1,57542 GHz ± 1,023 MHz, (L1-band)	
Impedance	50 Ohm	
VSWR	≤ 2,0	
Gain	2 dBic <sup>1)</sup>	
Polarization	RHCP	
Amplification	27 ± 3 dB	
Noise figure (50 Ohm)	< 2,5 dB	
Voltage supply	3 – 5,5 VDC (remotely fed)	
Current consumption	< 25 mA at 5 V	
<b>Cellular</b>		
Frequency range	GSM 850:	824 – 894 MHz
	GSM 900:	880 – 960 MHz
	GSM 1800:	1710 – 1880 MHz
	GSM 1900:	1850 – 1990 MHz
	UMTS:	1920 – 2170 MHz
Impedance	50 Ohm	
VSWR	≤ 2,0	
Gain	0 dBi <sup>2)</sup>	
Polarization	linear, vertical	
Load capacity	max.	10 W pulsed acc. GSM standard
Diagnostic	Resistor 10 kOhm	

## CELLULAR (2G/3G)/ GPS ADHESIVE/ MAGNETIC ANTENNA

GPS 1890 LP P/series Pt no. 920-061-...

### Cable and Connector

Cable <sup>3)</sup>		RG 174 / 3000 +30 mm
Connector <sup>3)</sup>	920-061-301:	GPS: SMB female Cellular: FME female
	920-061-302:	GPS: SMA male Cellular: FME female
	920-061-304:	GPS: SMA male Cellular: SMA male
	920-061-305:	GPS: FAKRA female, Code C Cellular: FAKRA female, Code D

<sup>1)</sup> dBi: referenced to an isotropic radiator, circular polarization

<sup>2)</sup> dBi: referenced to an isotropic radiator

<sup>3)</sup> other configurations on request

### Installation

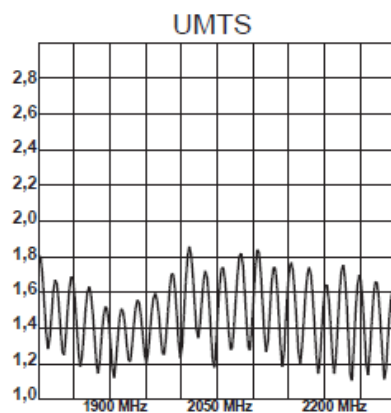
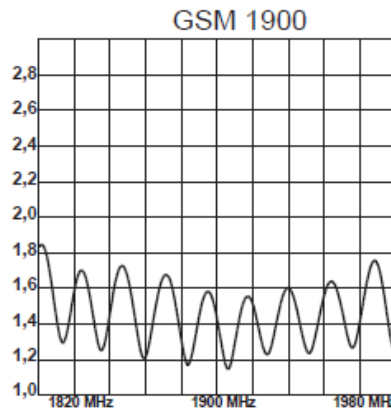
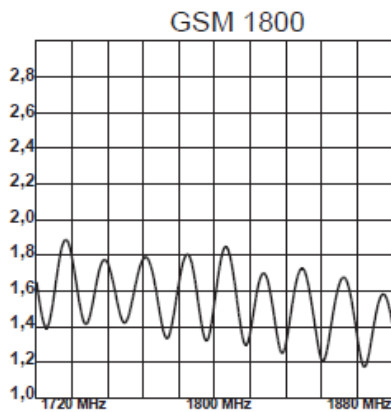
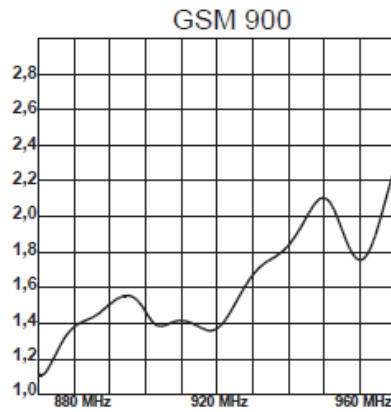
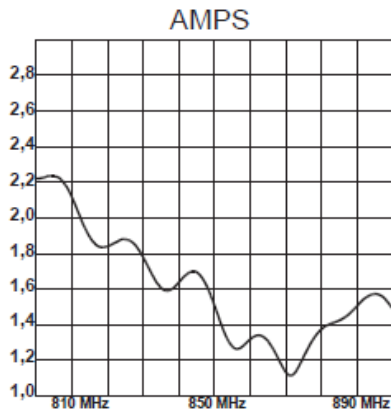


Subject to alterations

Installation on ground plane

**Antenna diagrams**

Typical VSWR



## CELLULAR (2G/3G)/ GPS ADHESIVE/ MAGNETIC ANTENNA

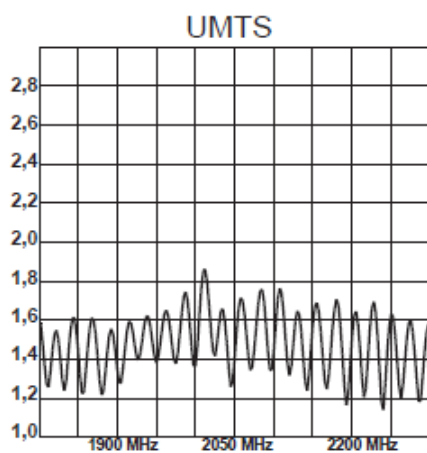
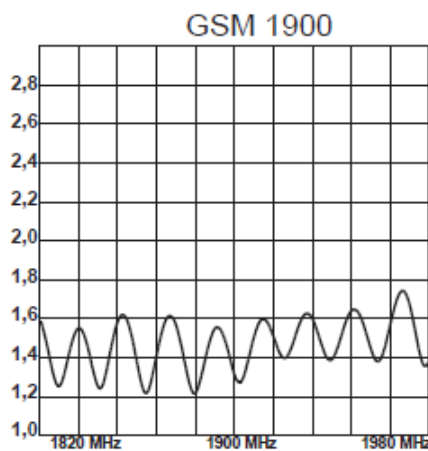
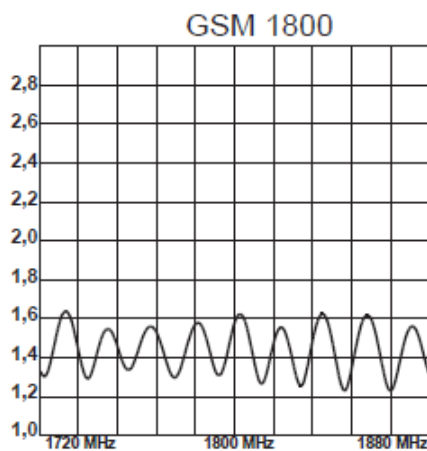
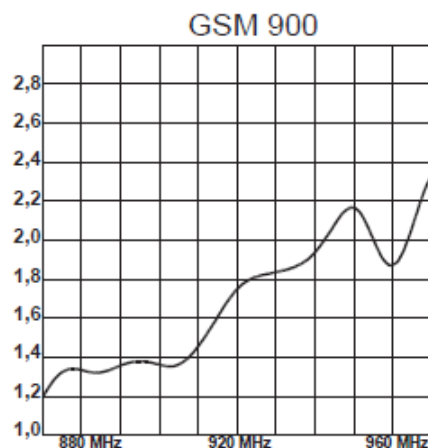
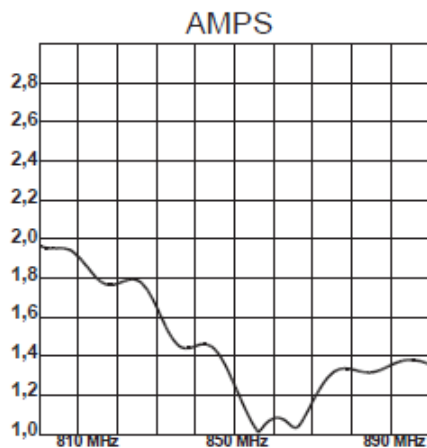
GPS 1890 LP P/series Pt no. 920-061-...

Subject to alterations

Installation stick on glass

### Antenna diagrams

Typical VSWR



# CELLULAR (2G/3G)/ GPS ADHESIVE/ MAGNETIC ANTENNA

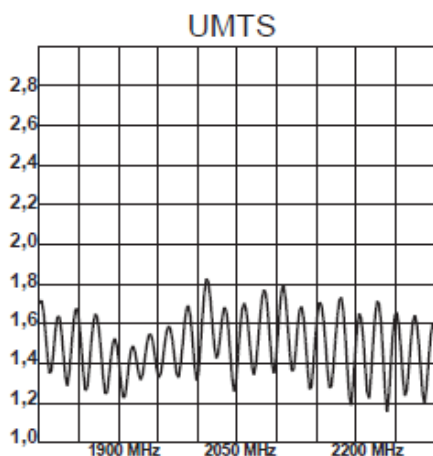
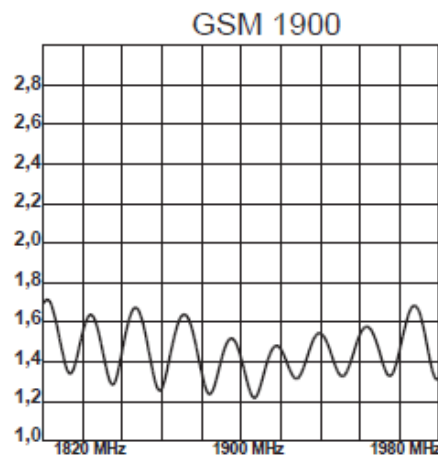
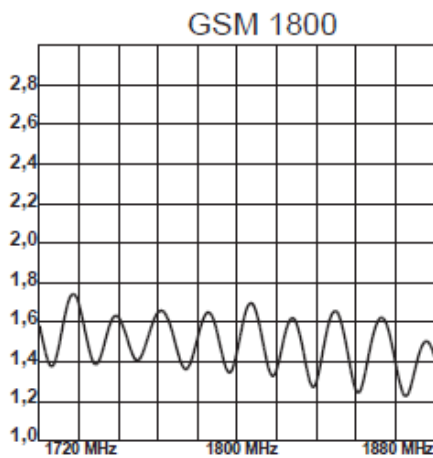
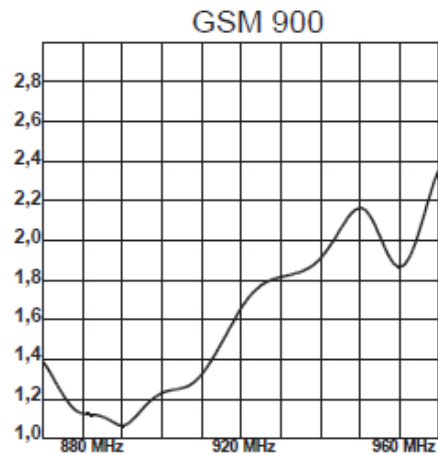
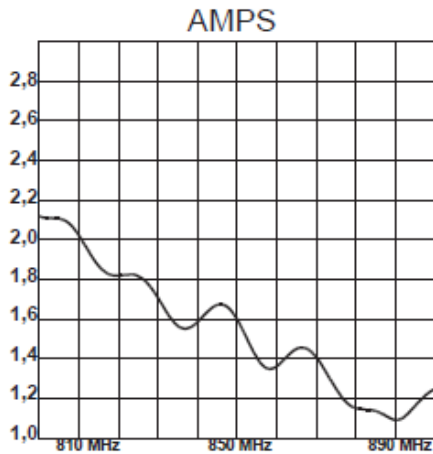
GPS 1890 LP P/series Pt no. 920-061-...

Subject to alterations

Installation between 2 metal bars

## Antenna diagrams

Typical VSWR



# CELLULAR (2G/3G)/ GPS ADHESIVE/ MAGNETIC ANTENNA

GPS 1890 LP P/series Pt no. 920-061-...

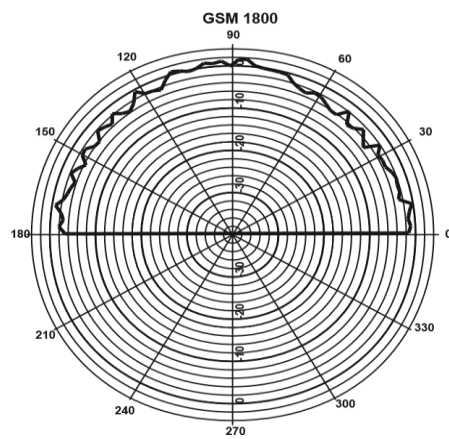
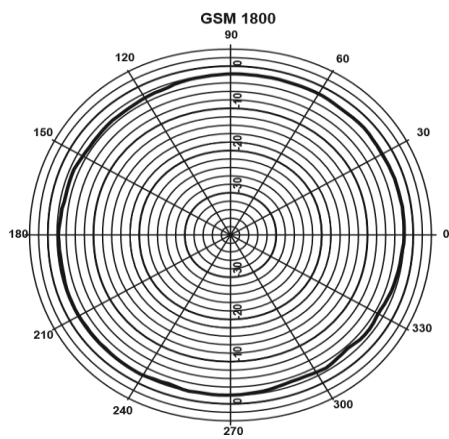
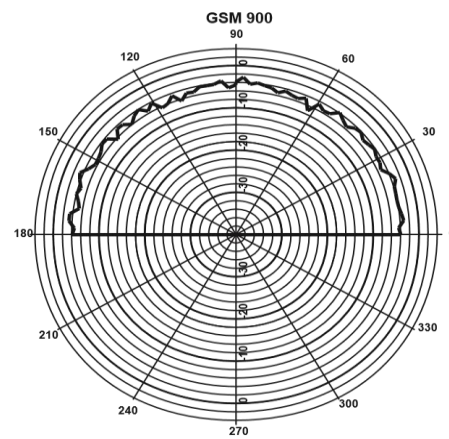
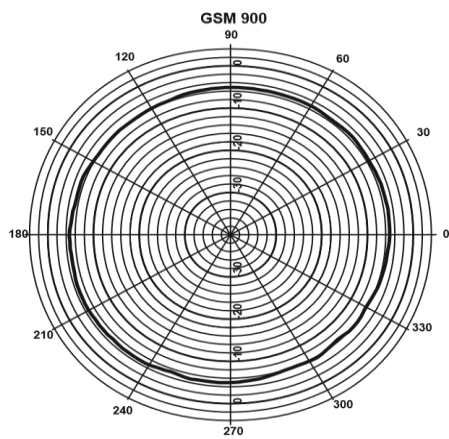
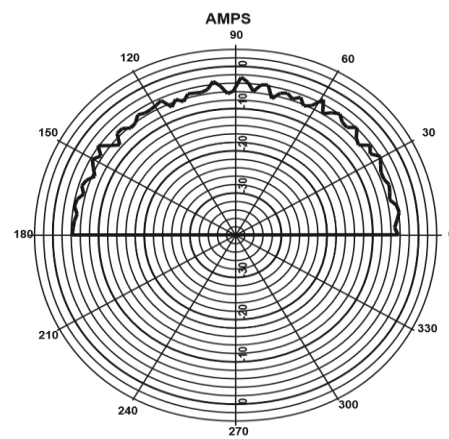
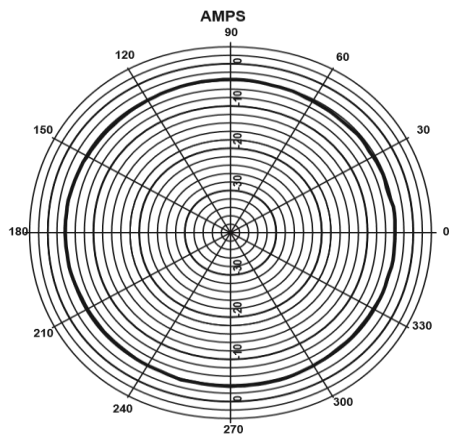
Subject to alterations

## Antenna diagrams

### Typical radiation pattern

Horizontal/ Azimuth

vertikal / Elevation



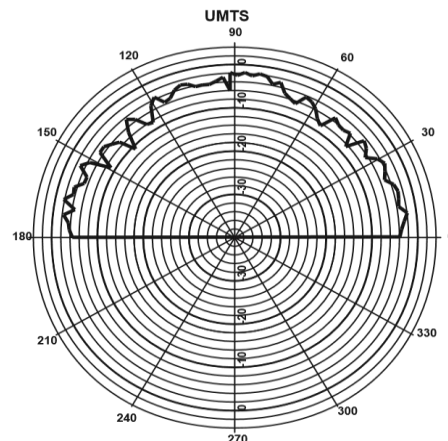
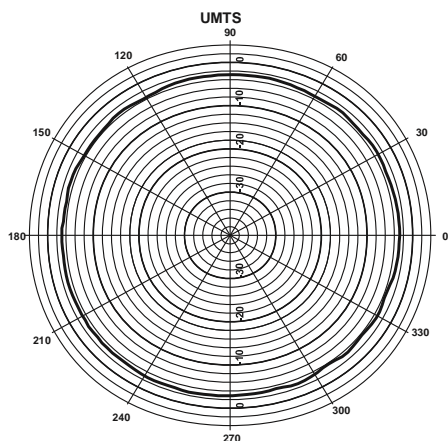
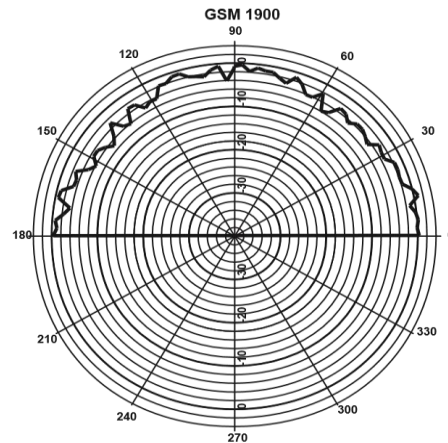
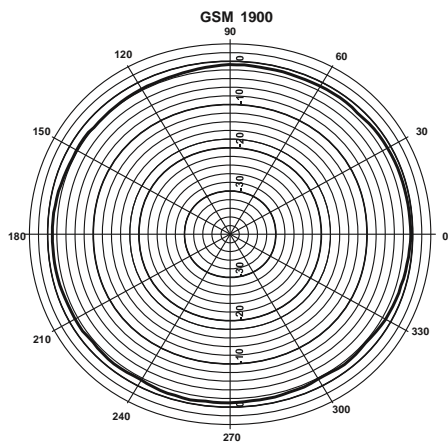
Subject to alterations

Antenna diagrams

Typical radiation pattern

Horizontal/ Azimuth

vertikal/ Elevation



[www.te.com/hirschmann-mobility](http://www.te.com/hirschmann-mobility)

[hirschmann-mobility@te.com](mailto:hirschmann-mobility@te.com)

TE, TE Connectivity, TE connectivity (logo), and EVERY CONNECTION COUNTS are trademarks. Hirschmann is a trademark.

IRIDIUM is a trademark.

The information given herein, including drawings, illustrations and schematics which are intended for illustration purposes only, is believed to be reliable. However, TE Connectivity makes no warranties as to its accuracy or completeness and disclaims any liability in connection with its use. TE Connectivity's obligations shall only be as set forth in TE Connectivity's Standard Terms and Conditions of Sale for this product and in no case will TE Connectivity be liable for any incidental, indirect or consequential damages arising out of the sale, resale, use or misuse of the product. Users of TE Connectivity products should make their own evaluation to determine the suitability of each such product for the specific application.

© 2019 TE Connectivity Ltd. family of companies All Rights Reserved.