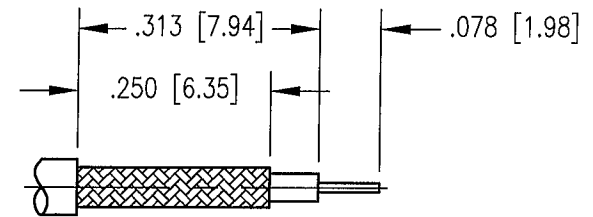
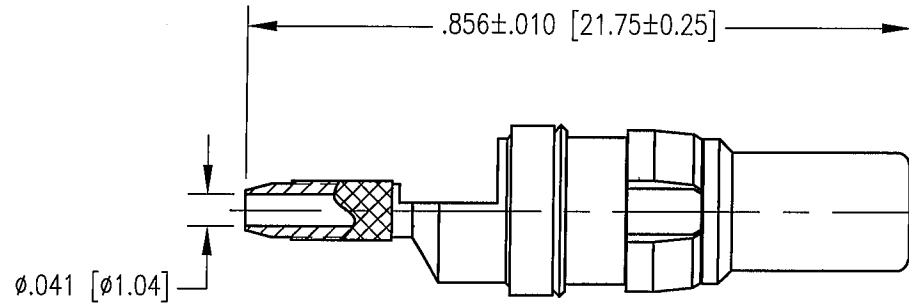
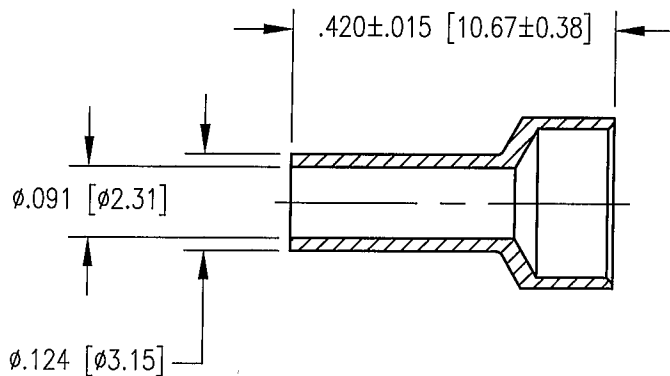


DWG. NO. SD200-910-0360G			
REV	DESCRIPTION	BY DATE	APPD
A	RELEASE PER ECR 7825	ED/00/06 MEL	<i>[Signature]</i>



RECOMMENDED TRIMMING DIMENSIONS

NOTES:

- MATERIALS:  
 BODIES: BRASS PER ASTM B16  
 CONTACT: COPPER ALLOY  
 CLIP RING: BERYLLIUM COPPER PER ASTM B194  
 INSULATOR: TEFLON PER ASTM D1710  
 SPRING WASHER: PHOSPHOR BRONZE PER B103
- FINISH:  
 BODIES AND CONTACT: .000030 MIN. GOLD PER MIL-G-45204 OVER  
 .000050 MIN. NICKEL PER QQ-N-290  
 SPRING WASHER AND FERRULE: .000005 MIN. GOLD PER MIL-G-45204 OVER  
 .000050 MIN. NICKEL PER QQ-N-290  
 CLIP RING: .000100 MIN. NICKEL PER QQ-N-290  
 OVER COPPER FLASH
- FOR USE WITH RG-178 OR EQUIVALENT CABLE.
- FOR CABLING PROCEDURES SEE 9-01 WITH TRIMMING DIMENSIONS SHOWN.
- CRIMP FERRULE USING .105 HEX DIE.

PER ASME Y14.5M-1994 UNLESS OTHERWISE SPECIFIED: DIMENSIONS ARE IN INCHES OR INCHES/MM		<b>Litton</b>	
TOLERANCES: .MM OR INCHES/MM DECIMALS .XX ± .01/0.254 .XXX ± .005/0.127 ANGLES ± 2° SCALE: 4:1		400 Park Road Watertown, Connecticut 06795	
<b>CUSTOMER DRAWING</b>		<b>Winchester Electronics/RETCONN</b>	
DRAWN: JEM DATE: 08/08/03 CHECKED: <i>[Signature]</i> DATE: 8/11/03		TITLE: RDM STRAIGHT PLUG	
APPROVED: <i>[Signature]</i> DATE: 8/14/03		A SD200-910-0360G SHT. 1 OF 1 REV. A	